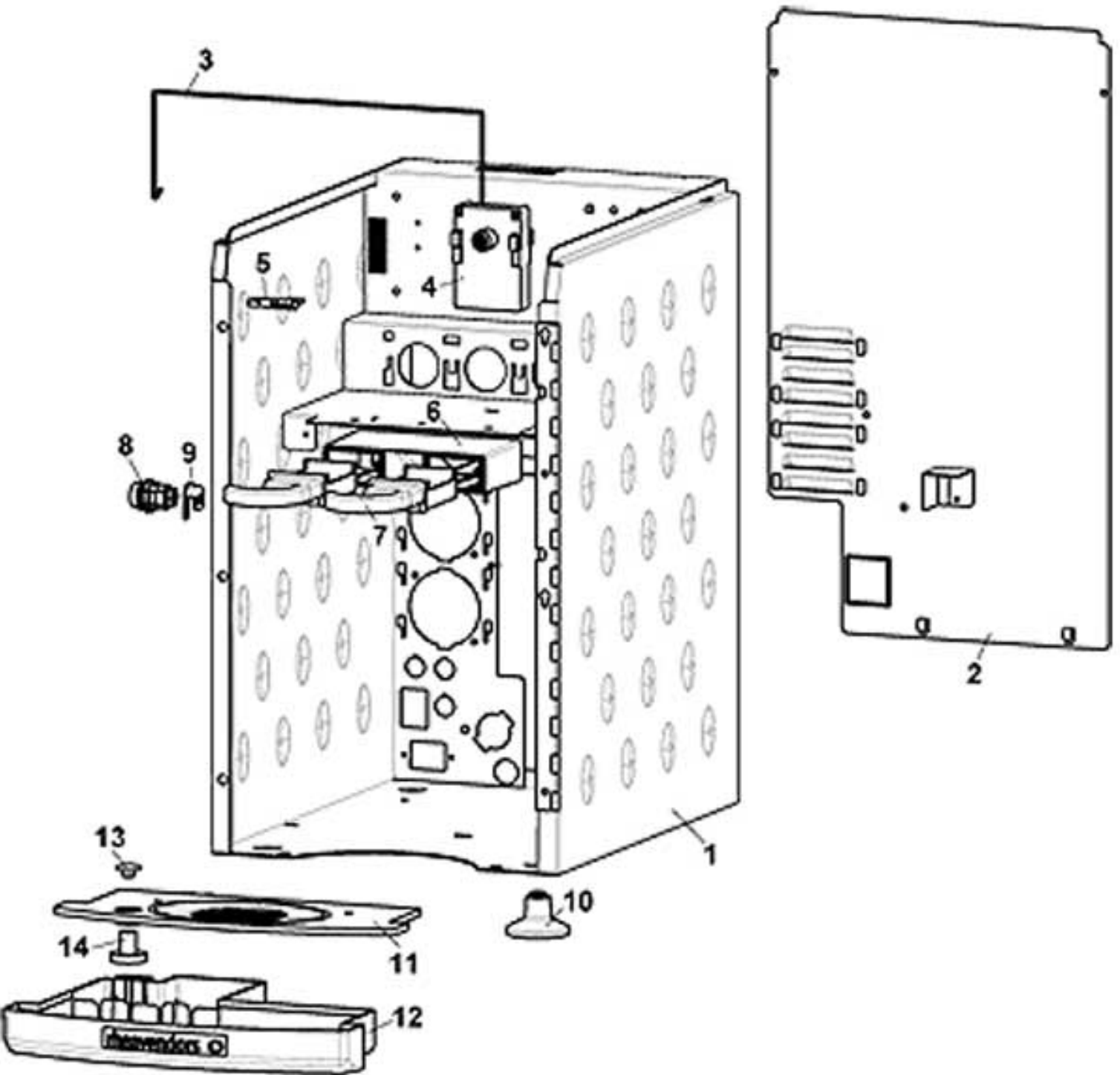


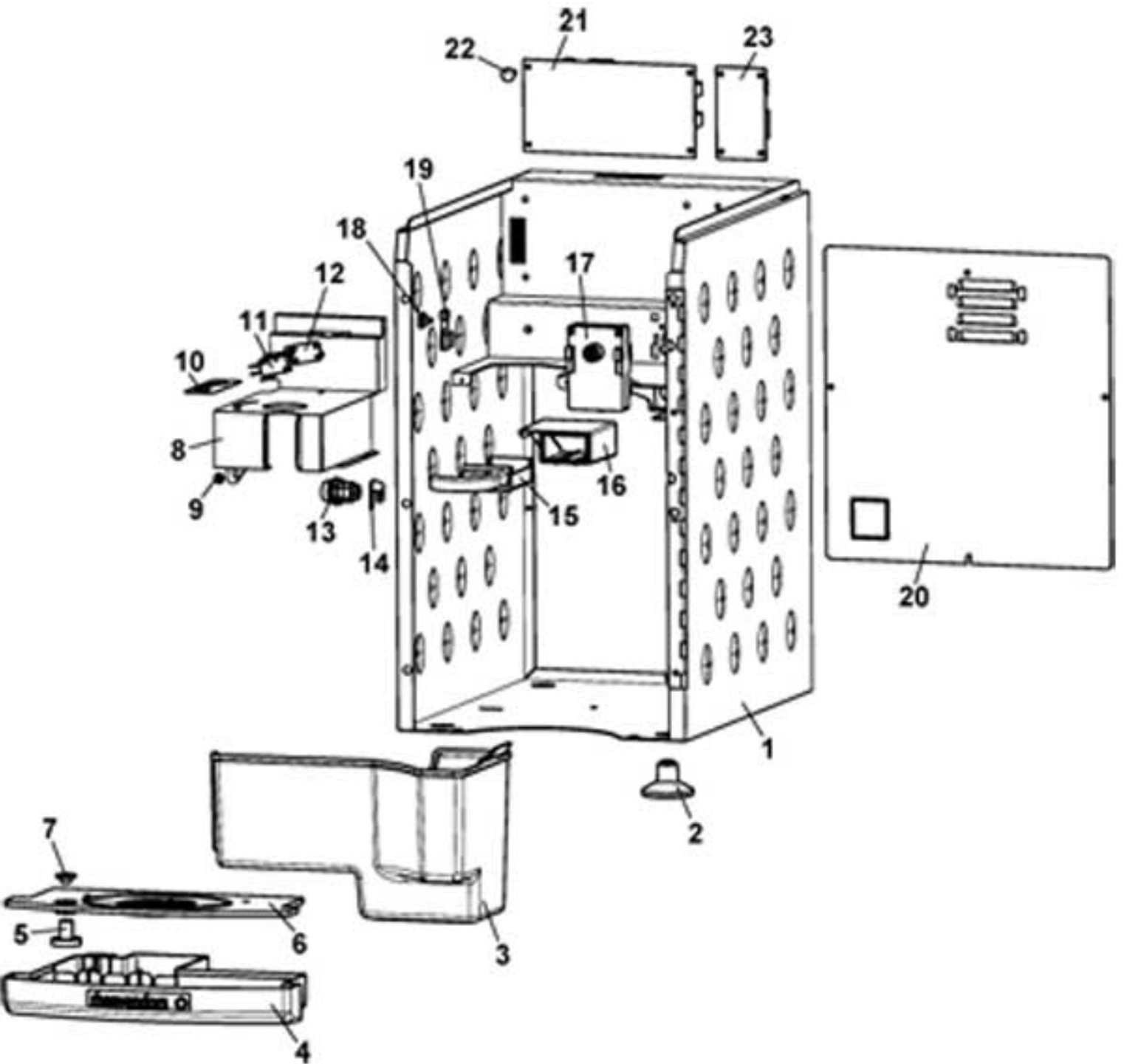
vending machine

[BARISTA]

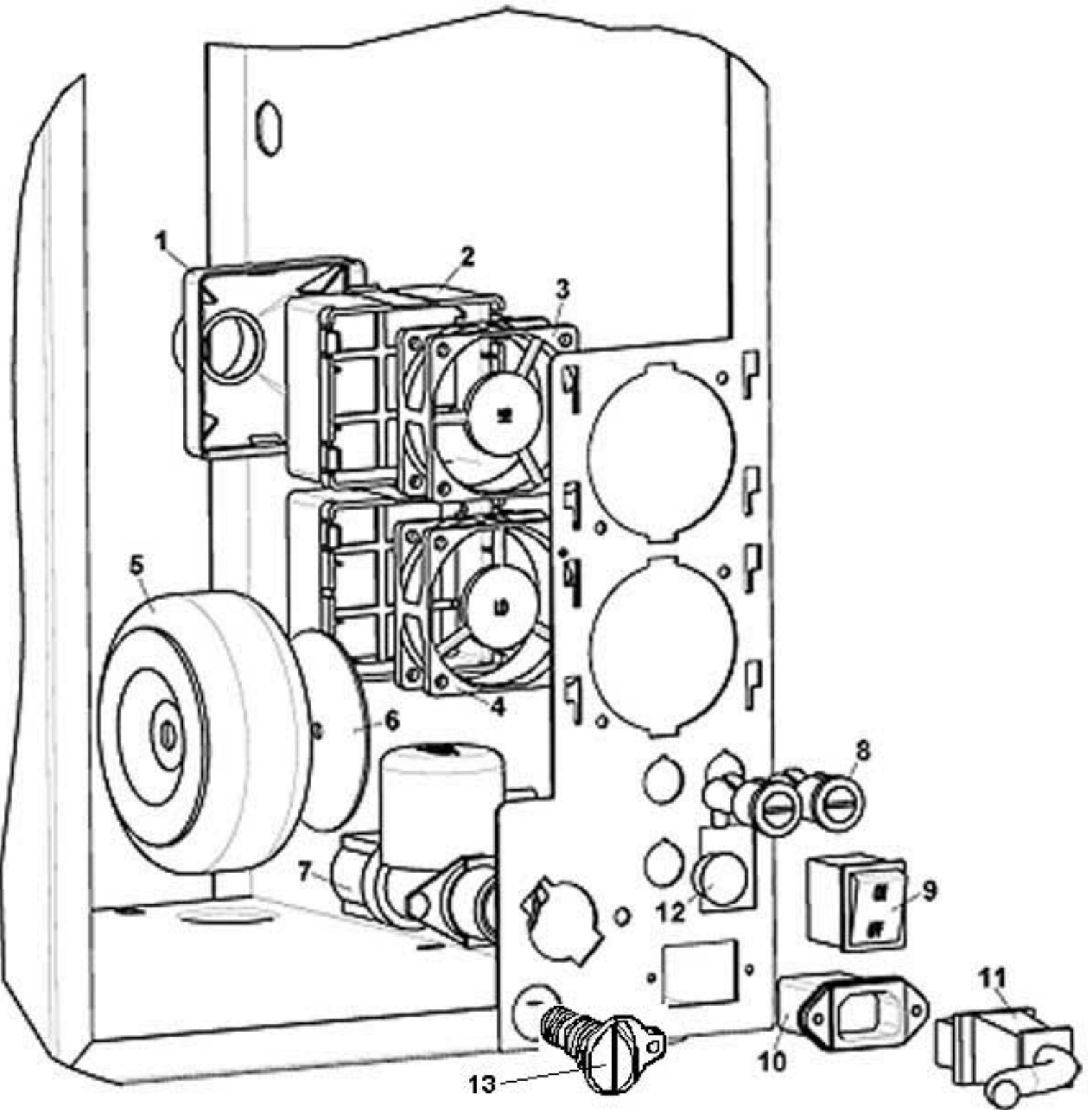
spare parts manual



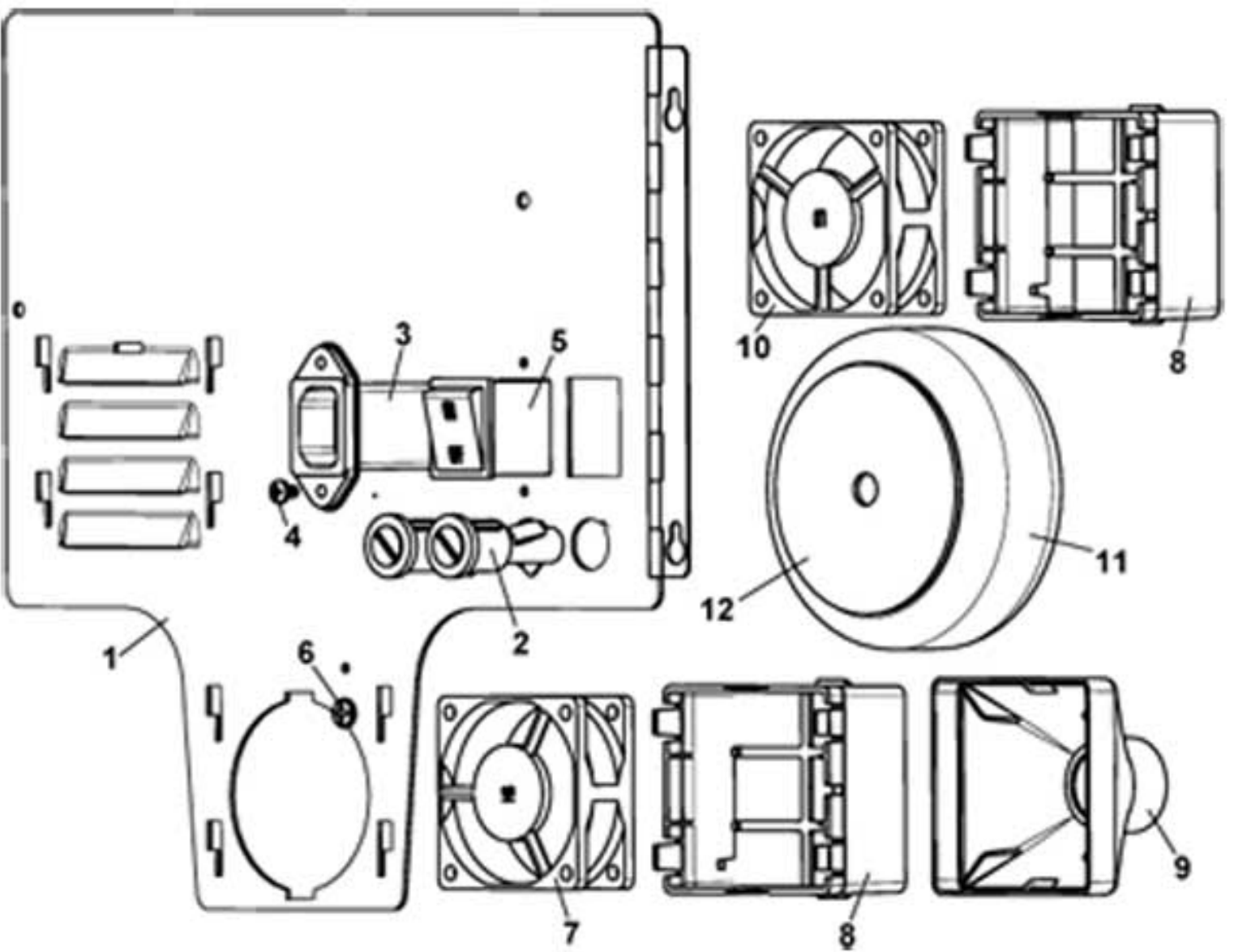
Pos.	Code	Description
1	0010027305	CABINET STRUCTURE
	0010027305CM	CABINET STRUCTURE MERCEDES GREY RAL 9006
	0010027305CZ	CABINET STRUCTURE IRON GREY RAL 7011
	0010027305GH	CABINET STRUCTURE BAIGE RAL 1015
2	0010027318	BACK COVER
	0010027318CM	BACK COVER MERCEDES GREY RAL 9006
	0010027318CZ	BACK COVER IRON GREY RAL 7011
	0010027318GH	BACK COVER BEIGE RAL 1015
3	0010027262	UPPER COVER CONNECTION
4	0090002113	MR NCJM2480-X 24VDC
5	0270011109	SERVICE KEY ASSEMBLY
	0270011109IC	SERVICE KEY ASSEMBLY ORANGE RAL 2011
6	0010027021	EXHAUST DRAWER
7	0010027022	EXTERNAL EXHAUST DRAWER
8	SER0000024	LOCK 154 BOX 5 DT mm 20 RAPID
9	0020035615	LOCK BRACKET
10	0010027326	FEET
	0010027326XC	FEET CHROMATE
11	0020037117	WATER COLLECTION TRAY GRATE
	0020037117AG	WATER COLLECTION TRAY GRATE TRASPARENT OPALINE WHITE
	0020037117CF	WATER COLLECTION TRAY GRATE ANTHRACITE GREY RAL 7016
	0020037117NA	WATER COLLECTION TRAY GRATE BLACK
	0020037117XC	WATER COLLECTION TRAY GRATE CHROMATE
12	0020037116	WATER TRAY
	0020037116CF	WATER TRAY ANTHRACITE GREY RAL 7016
	0020037116CM	WATER TRAY MERCEDES GREY RAL 9006
	0020037116CV	WATER TRAY EUROCOLOR GREY 92080
	0020037116GH	WATER TRAY BEIGE RAL 1015
	0020037116NA	WATER TRAY BLACK
	0020037116NC	WATER TRAY EUROCOLOR BLACK 98015
13	0020037045	FLOATER "T"RAL3020 XX
14	0020037046	FLOATER "T"RAL3020 XX



Pos.	Code	Description
1	0010027605	CABINET STRUCTURE E
	0010027605CM	CABINET STRUCTURE E MERCEDES GREY RAL 9006
2	0010027326	FEET
	0010027326XC	FEET CHROMATE
3	0010027229	GROUNDS CONTAINER
4	0020037116	WATER TRAY
	0020037116CF	WATER TRAY ANTHRACITE GREY RAL 7016
	0020037116CM	WATER TRAY MERCEDES GREY RAL 9006
	0020037116CV	WATER TRAY EUROCOLOR GREY 92080
	0020037116GH	WATER TRAY BEIGE RAL 1015
	0020037116NA	WATER TRAY BLACK
	0020037116NC	WATER TRAY EUROCOLOR BLACK 98015
5	0020037046	FLOATER "T"RAL3020 XX
6	0020037117	WATER COLLECTION TRAY GRATE
	0020037117AG	WATER COLLECTION TRAY GRATE TRASPARENT OPALINE WHITE
	0020037117CF	WATER COLLECTION TRAY GRATE ANTHRACITE GREY RAL 7016
	0020037117NA	WATER COLLECTION TRAY GRATE BLACK
	0020037117XC	WATER COLLECTION TRAY GRATE CHROMATE
7	0020037045	FLOATER "T"RAL3020 XX
8	0010027248	BLACK COVER E MILL
9	VIT0000007	M 3x20 TCB SCREW
10	0010027249	sticker of e mill
11	ELE0001522	1-WAY 16 A 250 V MICROSWITCH
12	4600010014	MICRO SPACER
13	SER0000024	LOCK 154 BOX 5 DT mm 20 RAPID
14	0020035615	LOCK BRACKET
15	0010027022	EXTERNAL EXHAUST DRAWER
16	0010027214	EXHAUST DRAWER
17	0090002113	MR NCJM2480-X 24VDC
18	ELE0062253	ADHESIVE CABLE STOP
19	0270011109	SERVICE KEY ASSEMBLY
	0270011109IC	SERVICE KEY ASSEMBLY ORANGE RAL 2011
20	0010027629	BACK COVER
	0010027629CM	BACK COVER MERCEDES GREY RAL 9006
21	See table CONTROL AND POWER LOGIC	
22	ELE0062013	BOARD SUPPORT
23	See table CONTROL AND POWER LOGIC	

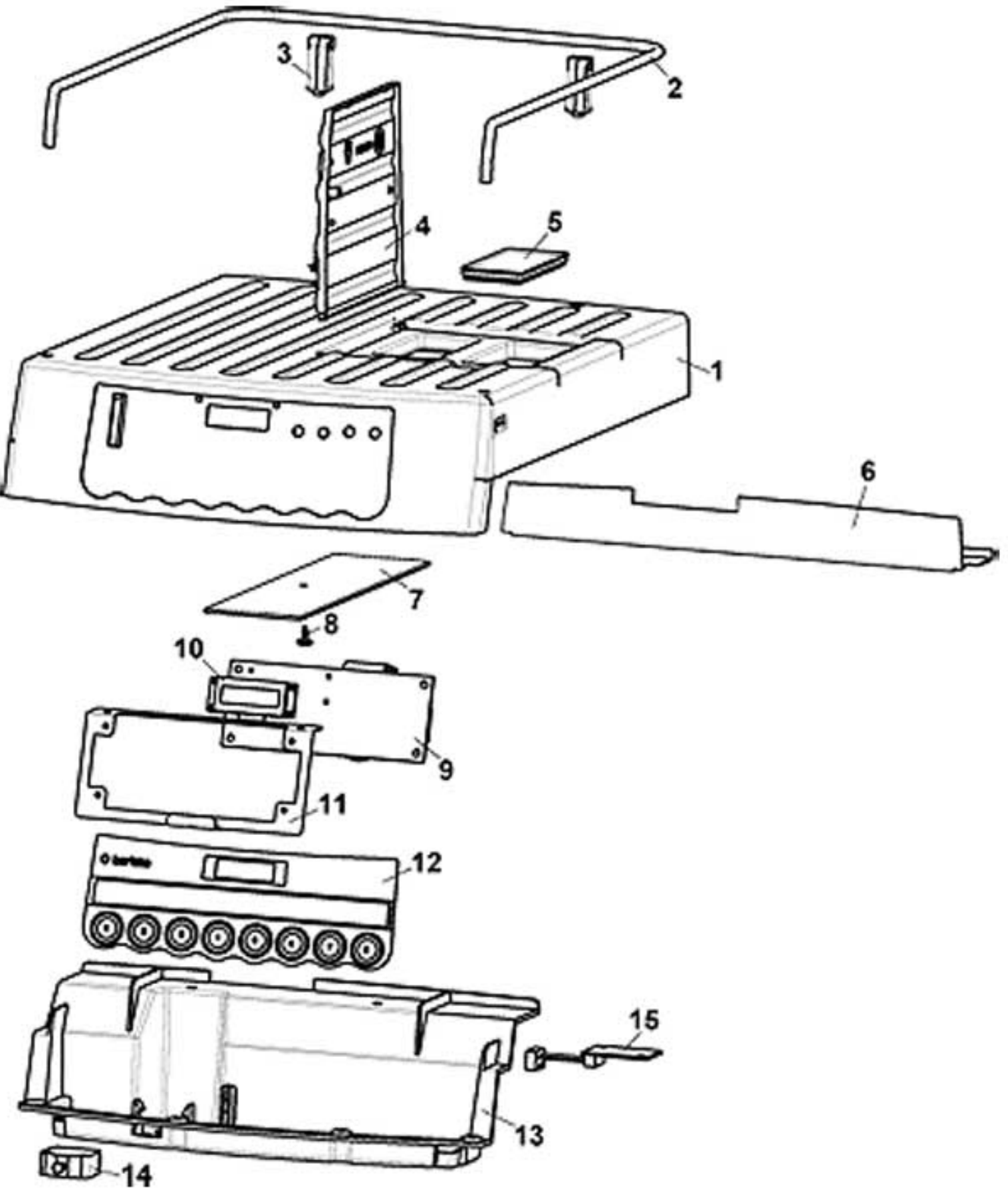


Pos.	Code	Description
1	0010027065	CONNECTION CONDUIT
2	0010027064	FAN TRAY
3	ELE0000461	AXIAL FAN AD0624HS 24DC
4	ELE0000462	AXIAL FAN FL0625LD 24DC
5	ELE0000555CL	TOROIDAL TRANSFORMER 230V
6	0010027319	TRANSFORMER DISK
7	0110001039	24 DC INLET VALVE W/SAFETY DEV.
8	ELE0003508CL	FUSES HOLDER FH-C0345+FUSE12A
9	ELE0002014	15A 250V ON/OFF UL/CSA BIPOLAR SWITCH
10	ELE0002315	FILTER SOCKET 115/250V 10A
11	ELE0055008	POWER LEAD 3 x 1 SOCKET AND SCHUKO PLUG
12	GUA0011010	RELEASE PLUG
13	0600016455	H2O RAPID DISCHARGE PLUG

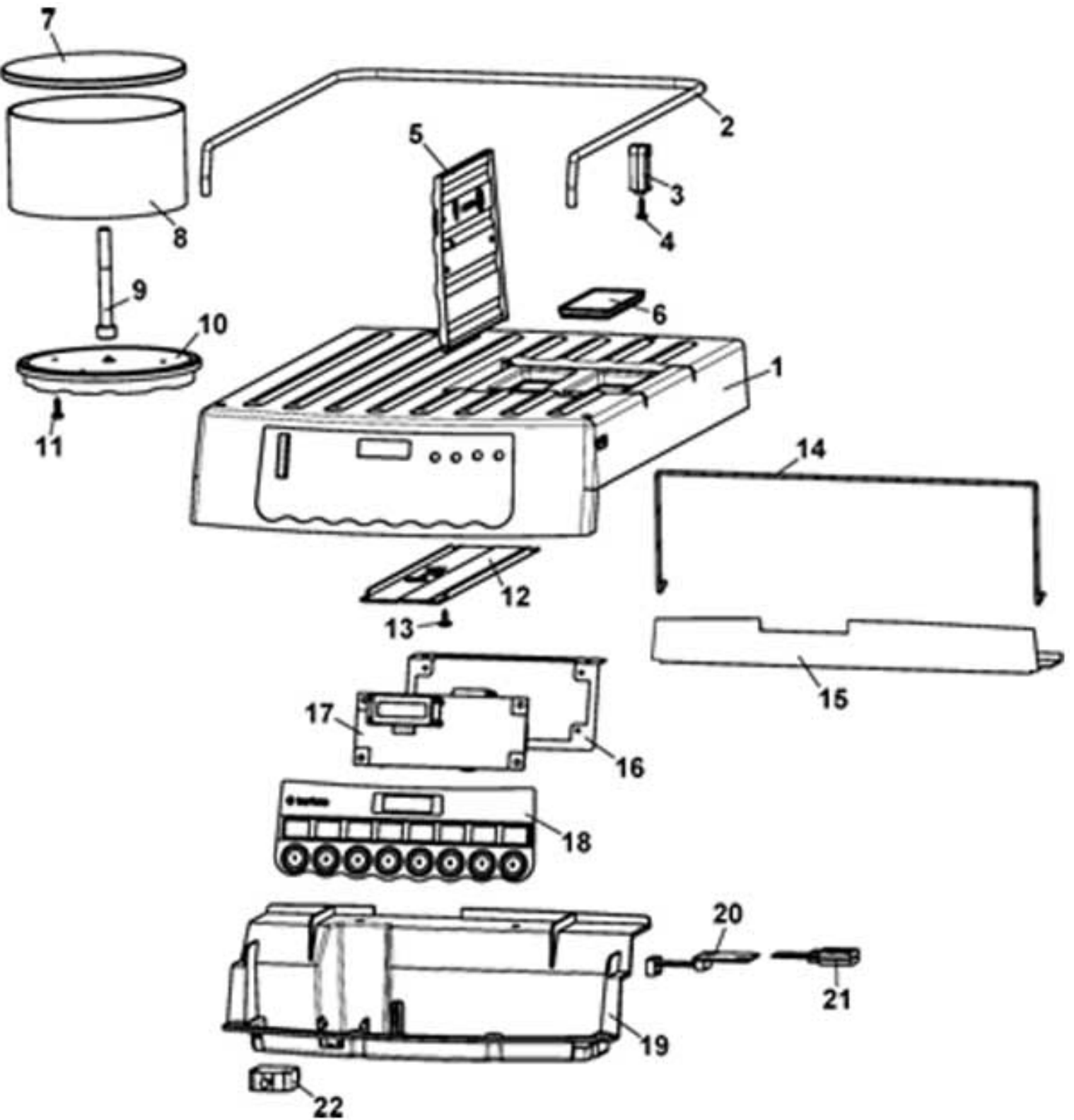


BARISTA - REAR VIEW CABINET E

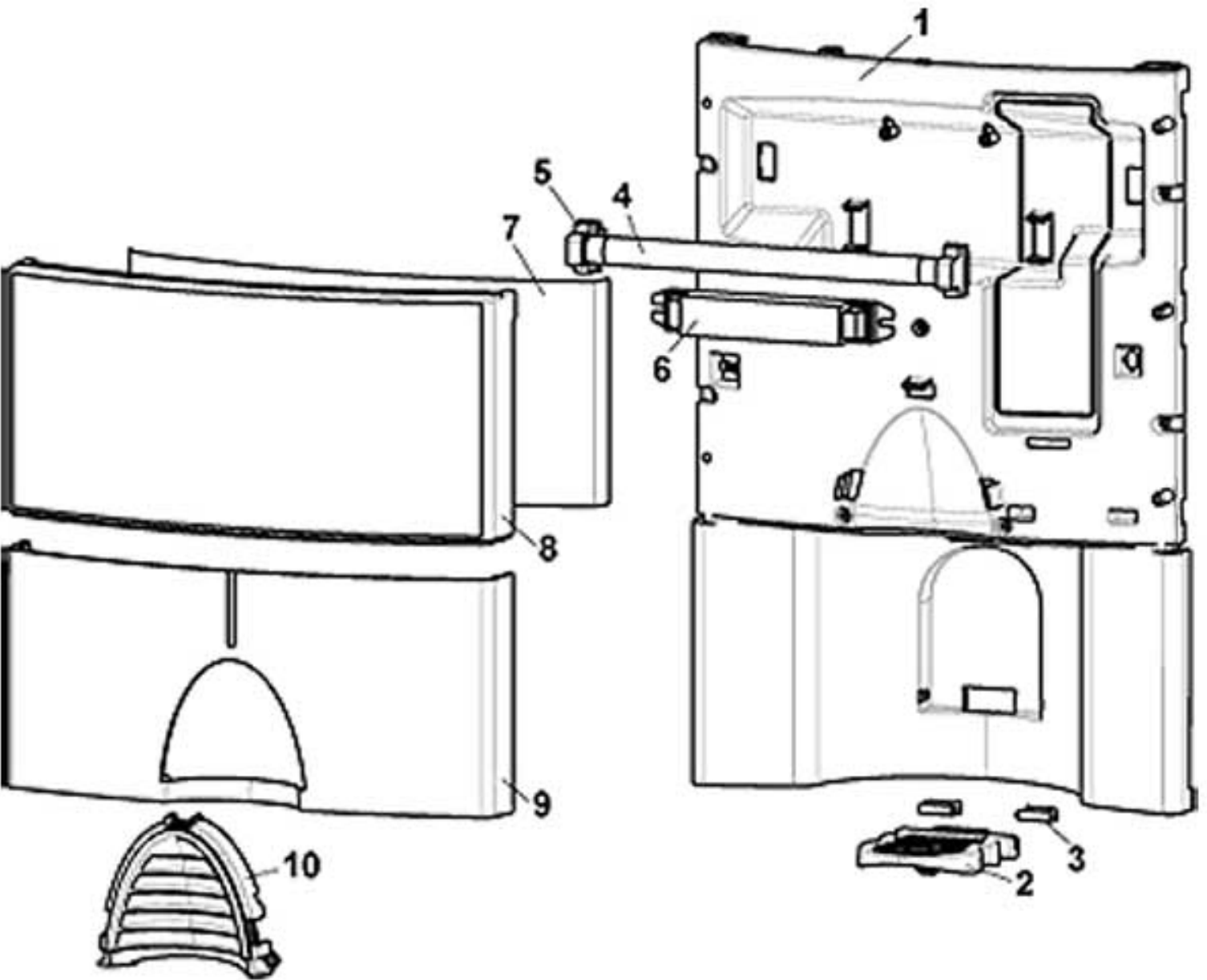
Pos.	Code	Description
1	0010027625	ELECTRIC COMPONENTS SUPPORT
	0010027625CM	ELECTRIC COMPONENTS SUPPORT MERCEDES GREY RAL 9006
2	ELE0003508CL	FUSES HOLDER FH-C0345+FUSE12A
3	ELE0002315	FILTER SOCKET 115/250V 10A
4	VIT0002010	3,5x9,5 TAPPING SCREW WITHOUT POINT
5	ELE0002014	15A 250V ON/OFF UL/CSA BIPOLAR SWITCH
6	VIT0002401	TAPPING SCREW TCB 3.5 x 9.5
7	ELE0000461	AXIAL FAN AD0624HS 24DC
8	0010027064	FAN TRAY
9	0010027065	CONNECTION CONDUIT
10	ELE0000462	AXIAL FAN FL0625LD 24DC
11	ELE0000555CL	TOROIDAL TRANSFORMER 230V
12	0010027319	TRANSFORMER DISK



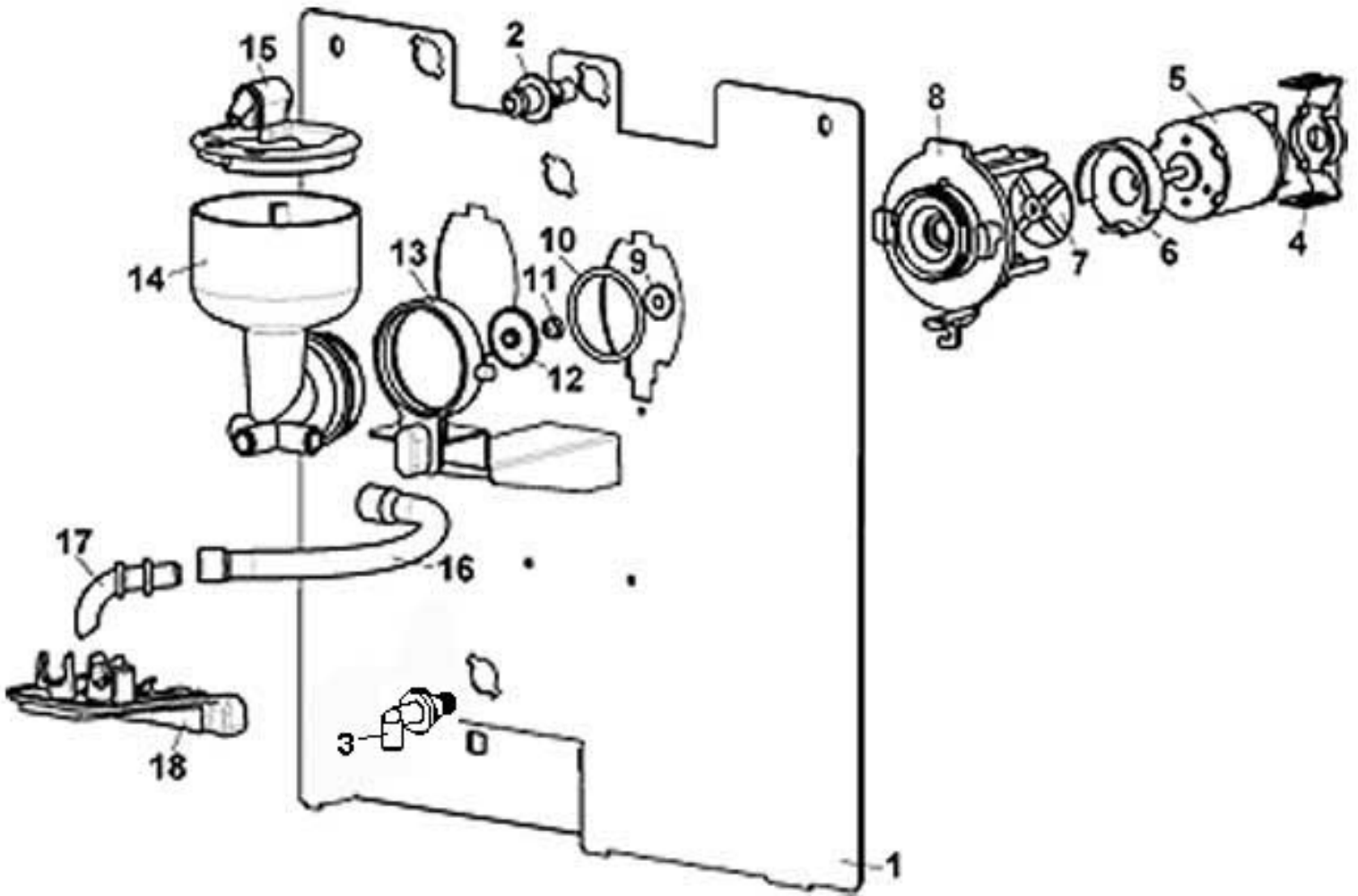
Pos.	Code	Description
1	0010027251	UPPER COVER
	0010027251CG	UPPER COVER LIGHT GREY RAL 7035
	0010027251CM	UPPER COVER MERCEDES GREY RAL 9006
	0010027251CU	UPPER COVER NISSAN SILVER GREY
	0010027251CV	UPPER COVER EUROCOLOR GREY 92080
	0010027251GH	UPPER COVER BEIGE RAL 1015
	0010027251NA	UPPER COVER BLACK
2	0010027271	RING CUP
3	0010027272	RING SUPPORT
	0010027272AG	RING SUPPORT TRASPARENT OPALINE WHITE
	0010027272GH	RING SUPPORT BEIGE RAL 1015
	0010027272NA	RING SUPPORT BLACK
4	0010027252	H2O COVER
	0010027252CG	H2O COVER LIGHT GREY RAL 7035
	0010027252CM	H2O COVER MERCEDES GREY RAL 9006
	0010027252CU	H2O COVER NISSAN SILVER GREY
	0010027252CV	H2O COVER EUROCOLOR GREY 92080
	0010027252GH	H2O COVER BEIGE RAL 1015
	0010027252NA	H2O COVER BLACK
5	0010027259	H2O HOLE PLUG
6	0010027260	UPPER COVER HINGE
7	0010027274	CABLES COVER
8	VIT0002401	TAPPING SCREW TCB 3.5 x 9.5
9	See table MICRO COFFEE GROUP	
10	See table MICRO COFFEE GROUP	
11	0010027268	DISPLAY BOARD SUPPORT
12	0010027293	BARISTA KEYBORD T8
13	0010027253	UPPER COVER CLOSING
	0010027253CM	UPPER COVER CLOSING MERCEDES GREY RAL 9006
	0010027253CV	UPPER COVER CLOSING EUROCOLOR GREY 92080
	0010027253GH	UPPER COVER CLOSING BEIGE RAL 1015
	0010027253NA	UPPER COVER CLOSING BLACK
14	ELE0002019	SWITCH 16A-250V UL
15	See table MICRO COFFEE GROUP	



Pos.	Code	Description
1	0010027251	UPPER COVER
	0010027251CG	UPPER COVER LIGHT GREY RAL 7035
	0010027251CM	UPPER COVER MERCEDES GREY RAL 9006
	0010027251CU	UPPER COVER NISSAN SILVER GREY
	0010027251CV	UPPER COVER EUROCOLOR GREY 92080
	0010027251GH	UPPER COVER BEIGE RAL 1015
	0010027251NA	UPPER COVER BLACK
2	0010027271	RING CUP
3	0010027272	RING SUPPORT
	0010027272AG	RING SUPPORT TRASPARENT OPALINE WHITE
	0010027272GH	RING SUPPORT BEIGE RAL 1015
	0010027272NA	RING SUPPORT BLACK
4	VIT0002466	QUICK-THREAD SCREW 3.5 x 16 CROSS
5	0010027252	H2O COVER
	0010027252CG	H2O COVER LIGHT GREY RAL 7035
	0010027252CM	H2O COVER MERCEDES GREY RAL 9006
	0010027252CU	H2O COVER NISSAN SILVER GREY
	0010027252CV	H2O COVER EUROCOLOR GREY 92080
	0010027252GH	H2O COVER BEIGE RAL 1015
	0010027252NA	H2O COVER BLACK
6	0010027259	H2O HOLE PLUG
7	0010020671	FROTN FLANGE
8	0010020673	TRANSPARENT TUBE D. 125 H.69
9	VIT0000244	TCEI M 8 x 70 Screw
10	0010027264	COFFEE CONTAINER BOTTOM
11	VIT0002101	3.9x 13 TAPPING TCB SCREW
12	0010027274	CABLES COVER
13	VIT0002401	TAPPING SCREW TCB 3.5 x 9.5
14	0010027262	UPPER COVER CONNECTION
15	0010027260	UPPER COVER HINGE
16	0010027268	DISPLAY BOARD SUPPORT
17	See table CONTROL AND POWER LOGIC	
18	0010027293	BARISTA KEYBORD T8
19	0010027253	UPPER COVER CLOSING
	0010027253CM	UPPER COVER CLOSING MERCEDES GREY RAL 9006
	0010027253CV	UPPER COVER CLOSING EUROCOLOR GREY 92080
	0010027253GH	UPPER COVER CLOSING BEIGE RAL 1015
	0010027253NA	UPPER COVER CLOSING BLACK
20	See table CONTROL AND POWER LOGIC	
21	See table CONTROL AND POWER LOGIC	
22	ELE0002019	SWITCH 16A-250V UL
100	0010027265CL	ASSEMBLED COFFEE CONTAINER (FROM POS.7 TO POS. 11)

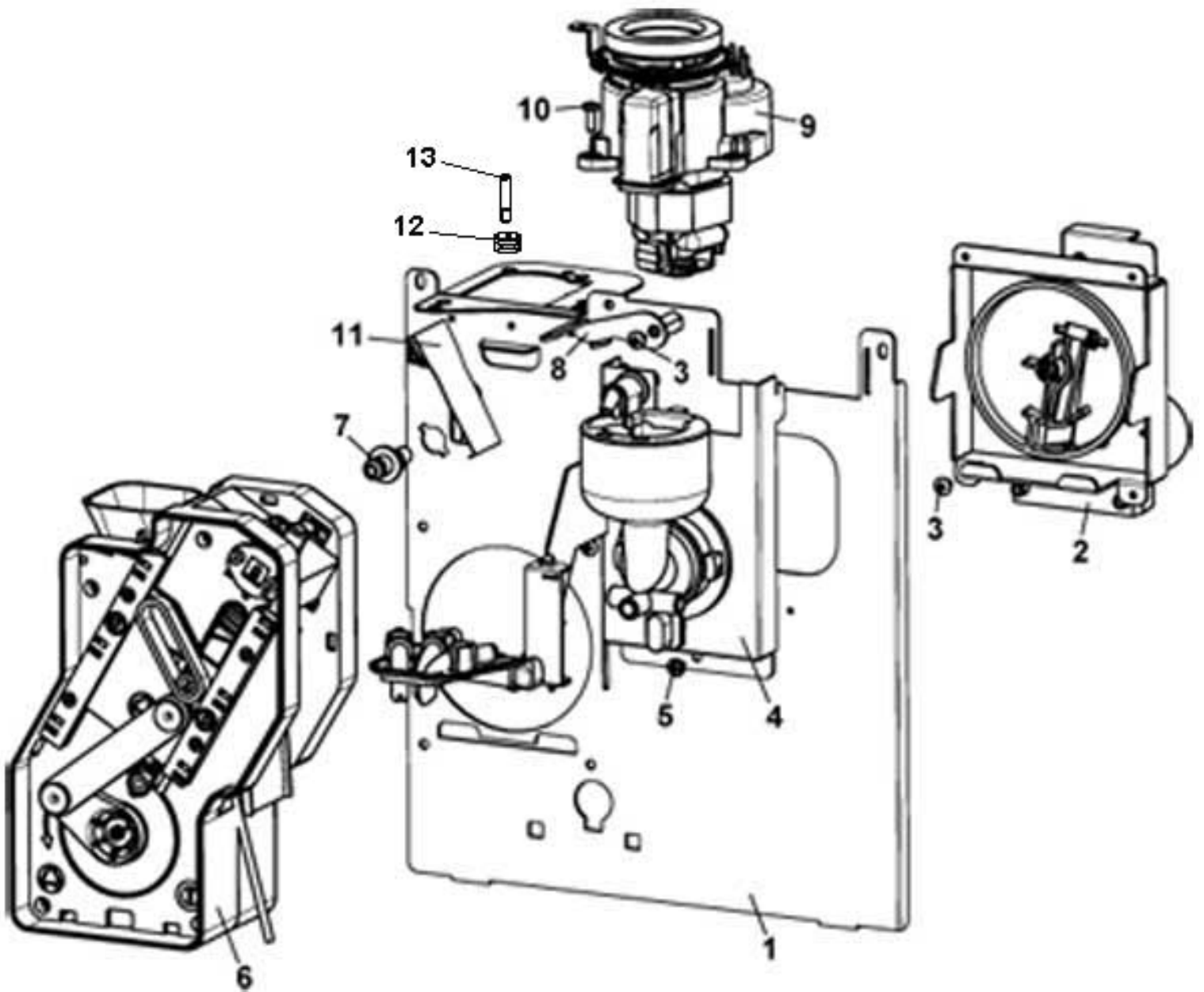


Pos.	Code	Description
1	0020037102	DOOR STRUCTURE
	0020037102NC	DOOR STRUCTURE EUROCOLOR BLACK 98015
2	0020037122	CUP SUPPORT TRAY
	0020037122AG	CUP SUPPORT TRAY TRASPARENT OPALINE WHITE
	0020037122NA	CUP SUPPORT TRAY BLACK
3	0020037124	CUP SUPPORT PIN
	0020037124NA	CUP SUPPORT PIN BLACK
4	ELE0009029	6 W 210MM LAMP
5	ELE0009121	
6	ELE0009126	BALLAST 220V 6-8W
7/a	0020037162	BARISTA BLUE LABEL
7/b	0020037161	BARISTA ORANGE LABEL
8	0020037106	UPPER EXTERNAL DOOR
	0020037106AG	UPPER EXTERNAL DOOR TRASPARENT OPALINE WHITE
	0020037106GH	UPPER EXTERNAL DOOR BEIGE RAL 1015
9	0020037107	BOTTOM EXTERNAL DOOR
	0020037107CG	BOTTOM EXTERNAL DOOR LIGHT GREY RAL 7035
	0020037107CM	BOTTOM EXTERNAL DOOR MERCEDES GREY RAL 9006
	0020037107CU	BOTTOM EXTERNAL DOOR NISSAN SILVER GREY
	0020037107CV	BOTTOM EXTERNAL DOOR EUROCOLOR GREY 92080
	0020037107GH	BOTTOM EXTERNAL DOOR BEIGE RAL 1015
	0020037107NA	BOTTOM EXTERNAL DOOR BLACK
10/a	0020037104CL	BLUE SHINING SUPPLEMENT
10/b	0020037104CL1	ORANGE SHINING SUPPLEMENT



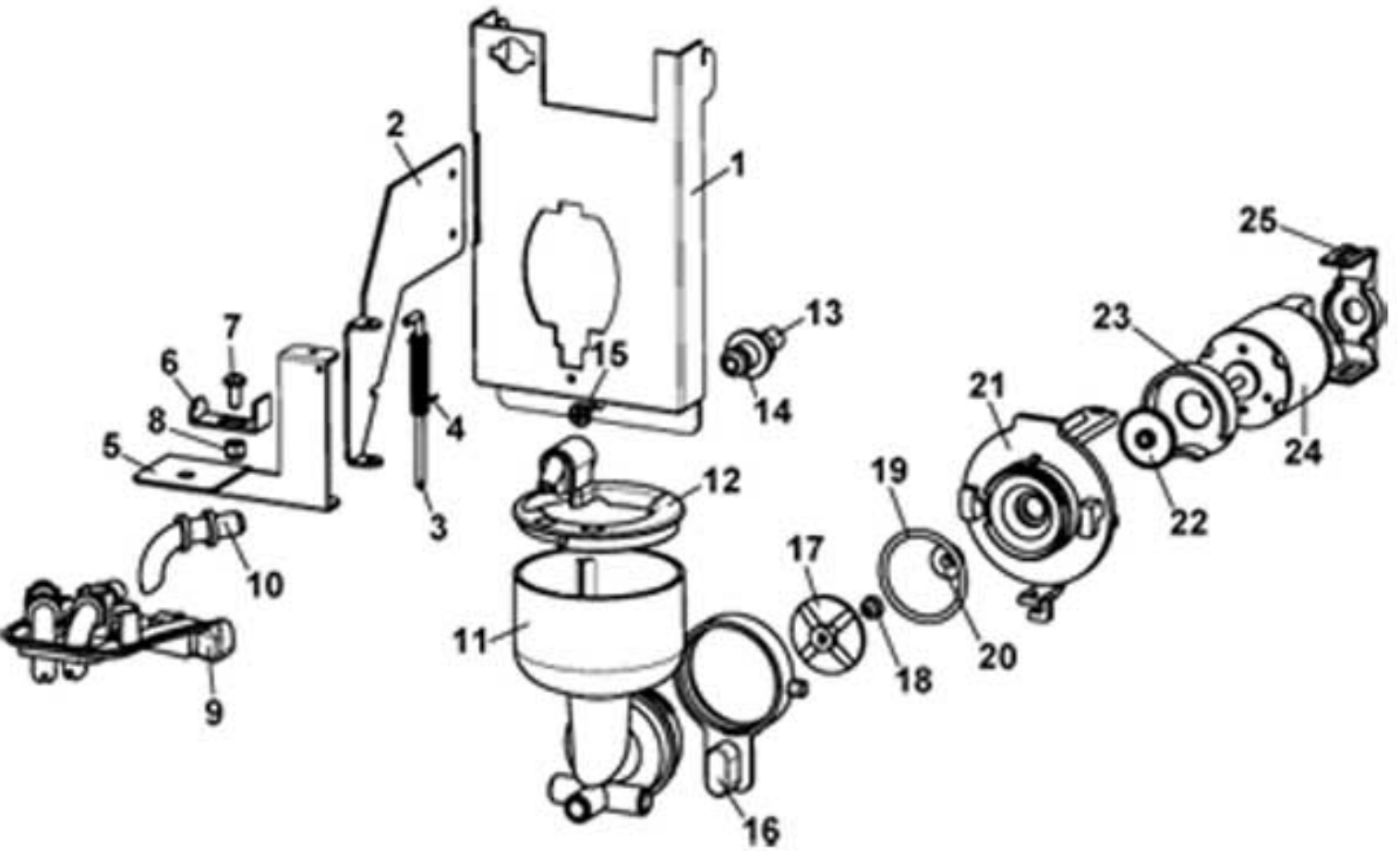
Pos.	Code	Description
1	0010027315	MIXER PLAN
	0010027315CM	MIXER PLAN MERCEDES GREY RAL 9006
	0010027315CZ	MIXER PLAN IRON GREY RAL 7011
	0010027315GH	MIXER PLAN BEIGE RAL 1015
2	0080100043	SHORT MIXER INSERT
3	0080100084	90° CONNECTION
4	0080100009	MOTOR HOUSING CONNECTION
	0080100009IC	MOTOR HOUSING CONNECTION ORANGE RAL 2011
5	0090003023	24 V DC MIXER MOTOR SHAFT D.4
6	0080100023	MIXER COVER
	0080100023IC	MIXER COVER ORANGE RAL 2011
7	0080100011	SMALL FAN MIXER SHAFT D.4
	0080100011PL	SMALL FAN MIXER SHAFT D.4 OVERSEAS BLUE RAL 5002
8	0080100005	MIXER BASE
9	0080100015	MIXER BASE BUSH
10	GUA0000084	OR 3131
11	0080100014	MIXER SHAFT GASKET D.4
12	0080100024	DRIP TRAP FAN
13	0080100006	STOPPER RING
	0080100006IC	STOPPER RING ORANGE RAL 2011
14	0080100041	MIXER BODY NO INLET
	0080100041PL	MIXER BODY NO INLET OVERSEAS BLUE RAL 5002
15	0080100042	MIXER TRAP WITH INLET
	0080100042PL	MIXER TRAP WITH INLET OVERSEAS BLUE RAL 5002
16	TSIL06/11T	TRANSPARENT SILICONE PIPE
17	0010020052	INGREDIENT PIPE
18	0020037123	PIPES SUPPORT
	0020037123NA	PIPES SUPPORT BLACK
100	0080100001R	MIXER BASE+MOTOR ASSEMBLY

assieme

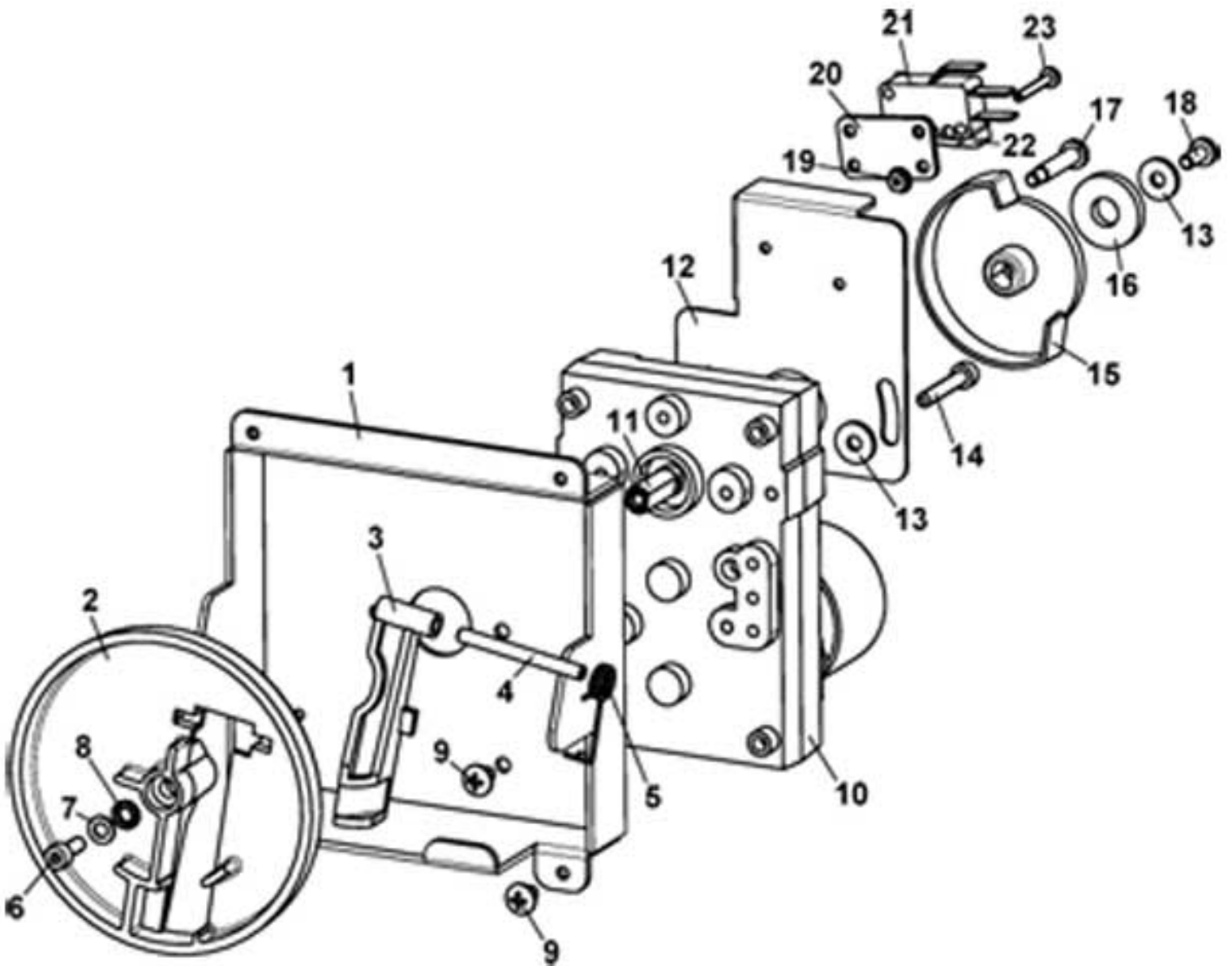


BARISTA - ASSEMBLED MIXER PLAN

Pos.	Code	Description
1	0010027612	BLACK COFFEE BEANS GRUOP PLAN
2	See table	MICRO COFFEE GROUP MOTOR SUPPORT
3	VIT0000030	SCREW TCB M4 x 7
4	See table	MIXER
5	VIT0002401	TAPPING SCREW TCB 3.5 x 9.5
6	See table	MICRO COFFEE GROUP
7	0080100043	SHORT MIXER INSERT
8	0010027226	COFFEE BEANS GROUP FIXING LEVER
9	See table	VERTICAL MILL GROUP
10	VIT0000030	SCREW TCB M4 x 7
11	0250008038	COFFEE BEANS GROUP COBE CHUTE
12	GUA0010551	20/65/15 ANTIVIBRATION
13	VIT0009165	E MILL SCREW

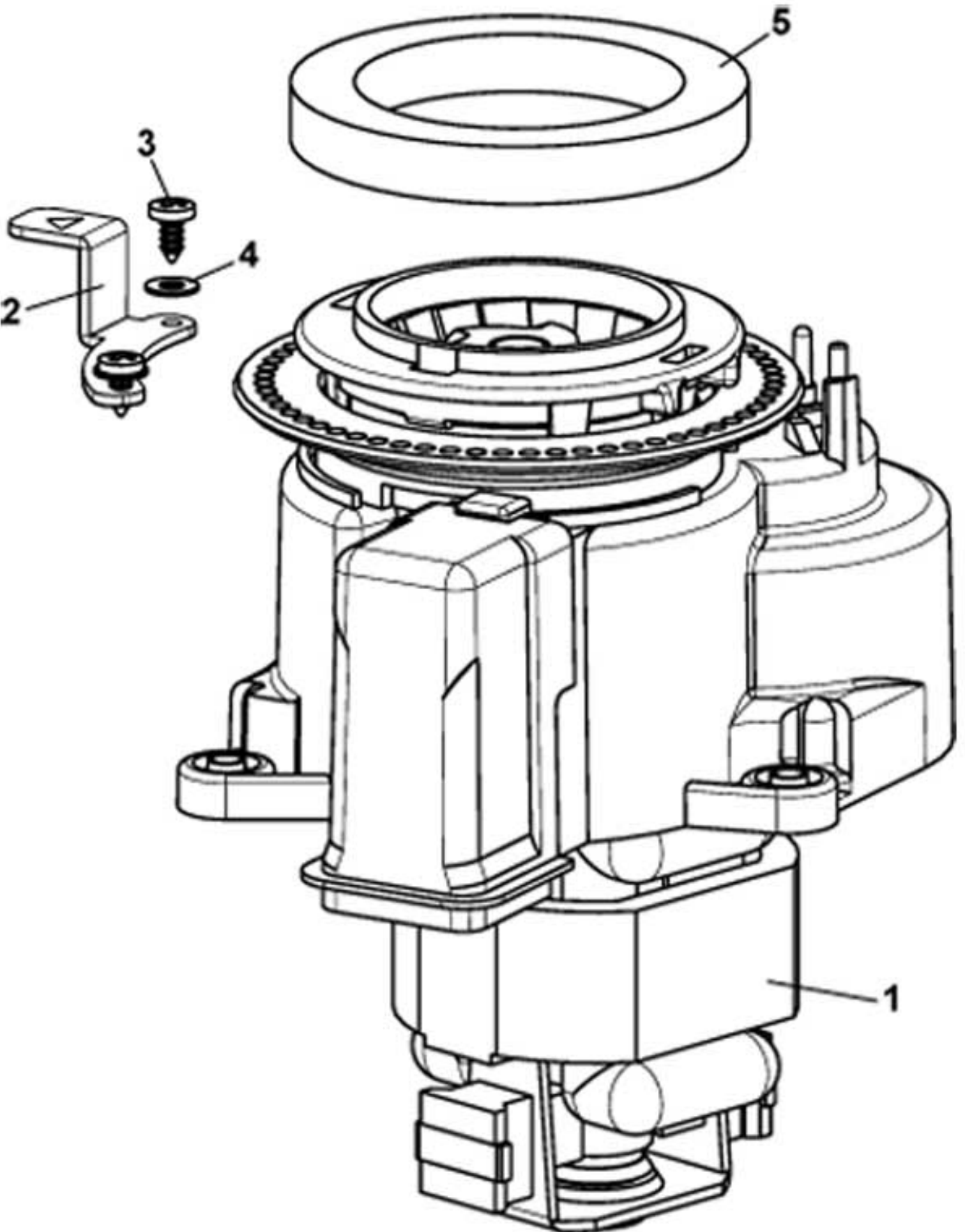


Pos.	Code	Description
1	0010027215	MIXER SUPPORT
2	0010027246	JOIN SIDE
3	0010020137	JOIN PIN
4	0010020138	JOINT SPRING
5	0010027247	JOIN FRONTAL
6	0010020737	LEVER STOP JOIN
7	VIT0000038	M 4x10 TCB SCREW
8	VIT0004810	M 4 SELFLOCKING NUT
9	0020037123	PIPES SUPPORT
	0020037123NA	PIPES SUPPORT BLACK
10	0010020052	INGREDIENT PIPE
11	0080100041	MIXER BODY NO INLET
	0080100041PL	MIXER BODY NO INLET OVERSEAS BLUE RAL 5002
12	0080100042	MIXER TRAP WITH INLET
	0080100042PL	MIXER TRAP WITH INLET OVERSEAS BLUE RAL 5002
13	0080100043	SHORT MIXER INSERT
14	GUA0000085	SILICONE OR 106
15	VIT0002401	TAPPING SCREW TCB 3.5 x 9.5
16	0080100006	STOPPER RING
	0080100006IC	STOPPER RING ORANGE RAL 2011
17	0080100011	SMALL FAN MIXER SHAFT D.4
	0080100011PL	SMALL FAN MIXER SHAFT D.4 OVERSEAS BLUE RAL 5002
18	0080100014	MIXER SHAFT GASKET D.4
19	GUA0000084	OR 3131
20	0080100015	MIXER BASE BUSH
21	0080100005	MIXER BASE
22	0080100024	DRIP TRAP FAN
23	0080100023	MIXER COVER
	0080100023IC	MIXER COVER ORANGE RAL 2011
24	0090003023	24 V DC MIXER MOTOR SHAFT D.4
25	0080100009	MOTOR HOUSING CONNECTION
	0080100009IC	MOTOR HOUSING CONNECTION ORANGE RAL 2011
100	0010027215CL	ASSEMBLED MIXER SUPPORT
101	0080100004R	MIXER BASE+MOTOR ASSEMBLY FROM POS. 17 TO POS. 25



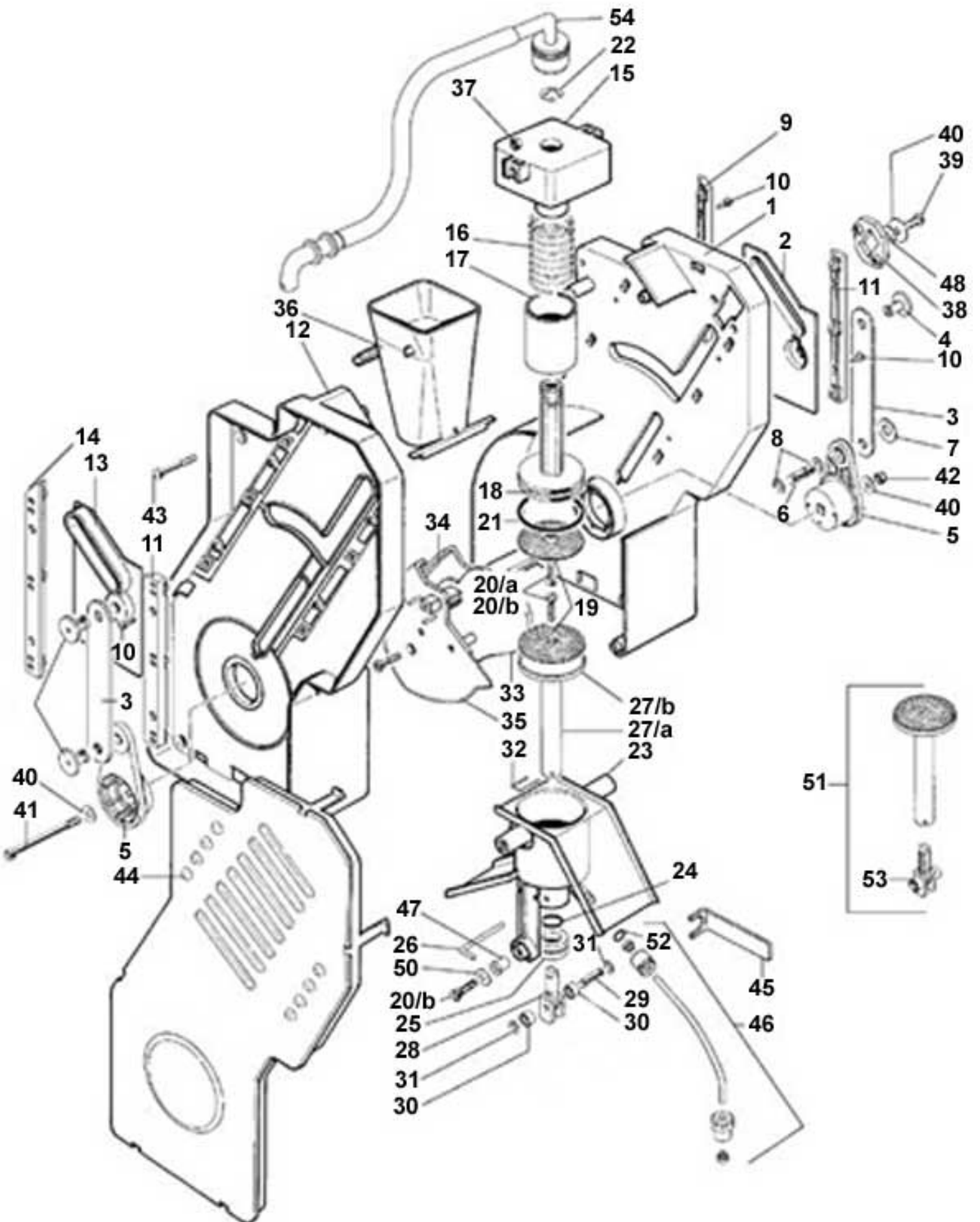
BARISTA - MICRO COFFEE GROUP MOTOR SUPPORT

Pos.	Code	Description
1	0260010128	MICRO GROUP MOTOR SUPPORT
2	0250008012	MOTOR CRANK
3	0250008034	HOOKING LEVER
4	VIT0005205	4 x 40 CYLINDRICAL PIN
5	0250008059	SPRING FOR HOOKING LEVER
6	VIT0005508	4x12 TCEI SCREW
7	VIT0003003	WASHER D.8 x 4.3 x 0.8
8	VIT0003103	WASHER tab D. 4.3
9	VIT0000030	SCREW TCB M4 x 7
10	0090002191	11 RPM 24V DC MOTOR
11	0090002181	COFFEE BEANS GROUP SHAFT
12	0250008093	MICRO PLATE
13	VIT0003301	WASHER D.12 x 4.3 x 1.5
14	VIT0005521	4x25 TCEI SCREW
15	0250008043	GROUP READER DISK
16	0250008091	MICRO SPACER
17	0250008126	SPECIAL M4 PIN
18	VIT0000012	SCREW T.C.B. M 4 x 10
19	VIT0004701	M3 FR NUT
20	4600010014	MICRO SPACER
21	ELE0001528	MICRO 83.161.832
22	ELE0001904	MICRO LEVER
23	VIT0000007	M 3x20 TCB SCREW
100	0260010128CL	230V ASSEMBLED MICRO GROUP MOTOR SUPORT
101	0090002191R	ASSEMBLED 11 RPM 24V DC MOTOR POS. 10+11



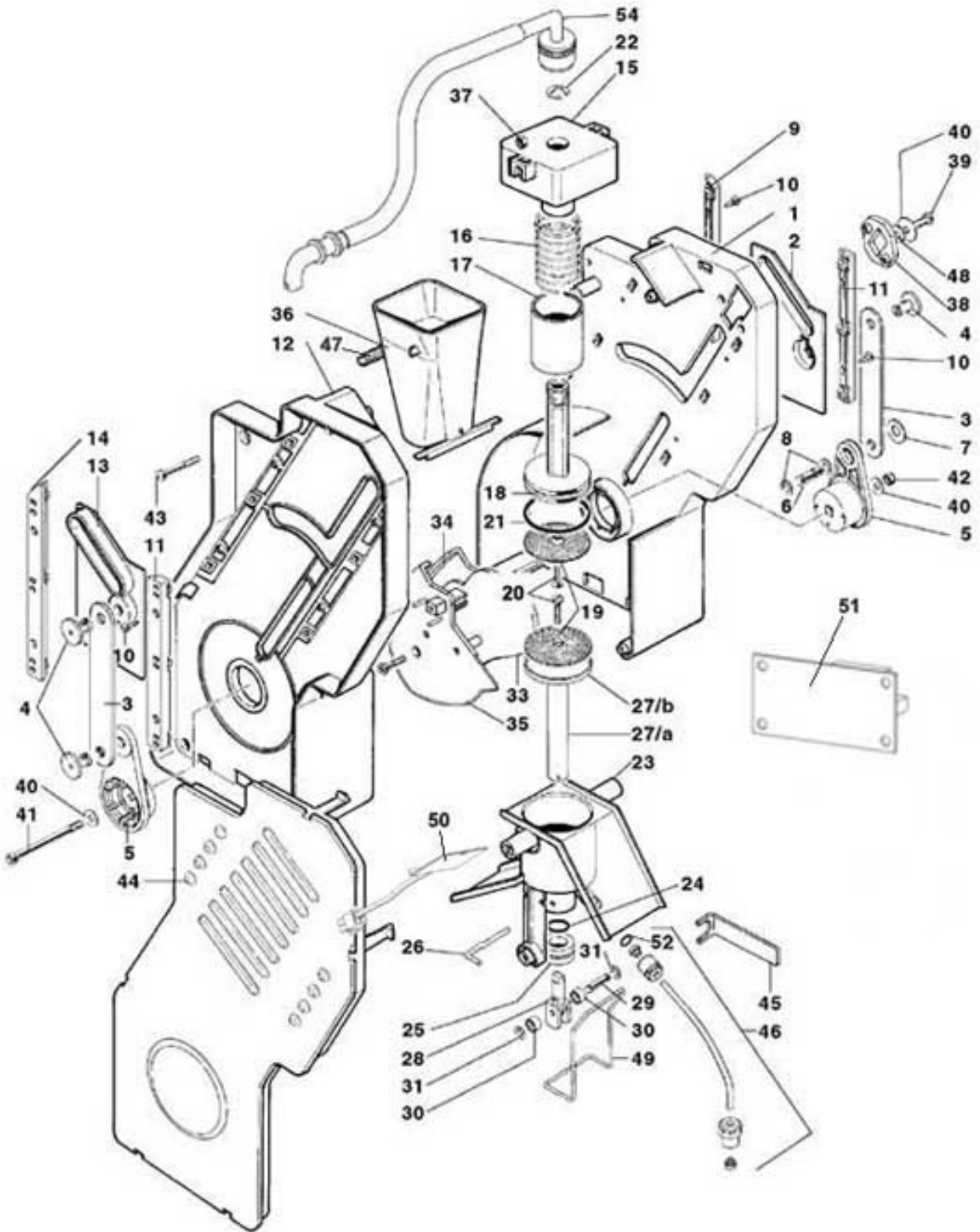
BARISTA - VERTICAL MILL GROUP

Pos.	Code	Description
1/a	0320004500CL	230V E MILL WITH REGULATION FOR COFFEE BEANS GROUP D. 36
1/b	0320004500CL1	230V E MILL WITH REGULATION FOR COFFEE BEANS GROUP D. 40
2	0010027202	E MILL REGULATION LEVER
3	VIT0002001	2.9x 6.5 TAPPING TCB SCREW
4	VIT0003002	D.3.2x7x0.5 WASHER
5	0320004504	E-MILL GASKET



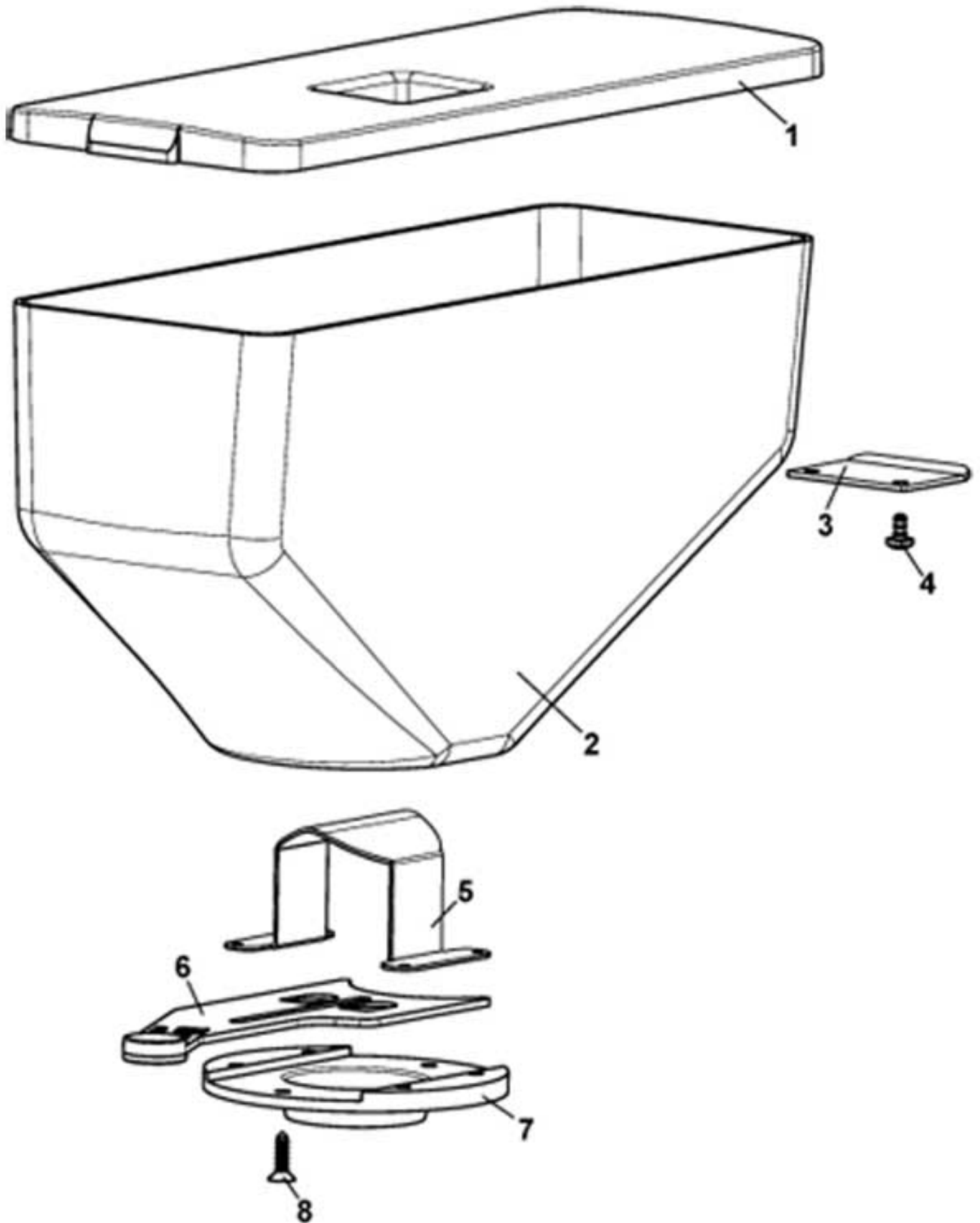
Pos.	Code	Description
1	0250008005	R.H. FRAME It's part of kit 0250008005R
2	0250008084	R.H. INFUSION CHAMBER CAM
3	0250008009	CONNECTING ROD
4	0250008028	PIN FOR CONNECTING ROD
5	0250008011	R.H. CRANK
6	0250008014	MOTOR CRANK PIN
7	0250008042	ANTIVIBRATION WASHER
8	VIT0006515	D.5 RADIAL STOP RING
9	0250008031	R.H. REAR GUIDE
10	VIT0002026	3.5x 6.5 STAINLESS STEEL TAPPING TCB SCREW
11	0250008033	FRONT GUIDE
12	0250008006	L.H. FRAME It's part of kit 0250008005R
13	0250008085	L.H. INFUSION CHAMBER CAM
14	0250008032	L.H. REAR GUIDE
15	0250008086	UPPER FILTER SUPPORT
16	0250008024	UPPER FILTER SPRING
17	0250008087	SPRING COVER PIPE
18/a	0250008026	D.36 UPPER FILTER FOR COFFEE BEANS GROUP D. 36
18/b	0250008208	D.40 UPPER FILTER FOR COFFEE BEANS GROUP D. 40
	0250008208IC	D.40 UPPER FILTER FOR COFFEE BEANS GROUP D. 40 ORANGE RAL 2011
19/a	0250008099	FILTER FOR COFFEE BEANS GROUP D. 36
19/b	0250008211	FILTER D.40 FOR COFFEE BEANS GROUP D. 40
20/a	VIT0001202	M 3x14 TSP SCREW
20/b	VIT0000121	M 3x8 TSP SCREW
21/a	GUA0000080	SILICONE 4112 OR FOR COFFEE BEANS GROUP D. 36
21/b	GUA0000097	SILICONE 4131 OR FOR COFFEE BEANS GROUP D. 40
22	VIT0006513	D.8 STAINLESS STEEL INSIDE SEEGER
23/a	0250008046R	INFUSION CHAMBER FOR COFFEE BEANS GROUP D. 36
23/b	0250008206R	INFUSION CHAMBER D.40 FOR COFFEE BEANS GROUP D. 40
	0250008206RIC	INFUSION CHAMBER D.40 FOR COFFEE BEANS GROUP D. 40 ORANGE RAL 2011
24	GUA0000065	SILICONE OR 112
25	0250008053	LOWER INLET CUP BUSH
26	0250008029	GLASS BUSH PIN
27/a	0250008108	FILTER SUPPORT SHFT It's part of kit 0250008108R
27/b	0250008122	LOWER FILTER FOR COFFEE BEANS GROUP D. 36
27/c	0250008209	LOWER FILTER D.40 FOR COFFEE BEANS GROUP D. 40
	0250008209IC	LOWER FILTER D.40 FOR COFFEE BEANS GROUP D. 40 ORANGE RAL 2011
28	0250008106	LOWER FILTER ROLL SUPPORT
29	0250008021	ROLL SHAFT
30	0250008022	ROLL SHAFT
31	VIT0006516	D.3.2 RADIAL STOP RING
32	0250008027	LOWER FILTER PIN
33	0250008083	FILTER EJECTION CAM
34	0250008016	R.H. FILTER RECOVERY CAM
35	0250008017	L.H. FILTER RECOVERY CAM
36	0250008036	COFFEE CONE
37	VIT0004803	STAINLESS STEEL NUT M4
38	0250008035	SETTING PLATE
39	VIT0000032	M 4x8 INOX TCB SCREW
40	VIT0003309	4.3x16x1.5 STAINLESS STEEL FLAT WASHER
41	VIT0005523	4x60 STAINLESS STEEL TCEI SCREW
42	VIT0004810	M 4 SELFLOCKING NUT
43	VIT0002461	SCREW TCCCRT 4,2 x 26
44	0250008039	L.H. FRAME COVER
	0250008039CM	L.H. FRAME COVER FOR COFFEE BEANS GROUP D. 40 MERCEDES GREY RAL 9006
	0250008039IC	L.H. FRAME COVER FOR COFFEE BEANS GROUP D. 40 ORANGE RAL 2011
45	0250008048	KEY FOR NUT
46	0250008110CL	WATER INLET PIPER ASSEMBLY
47	VIT0009203	M 3 CONNECTION FOR THERMOPLASTIC
48	VIT0003451	GROWER SPRING WASHER
49	0250008094	SCRAPER
50	0250008088	WASHER FOR CHAMBER CAM
51	0250008109R	D.36 LOWER FILTER+ROLL SUPPORT ASSEMBLY
52	GUA0000061	2010 VITON OR
53	0250008107R	LOWER FILTER ROLL SUPPORT
54	0250008076CL	COFFEE OUTLET PIPE ASSEMBLY
100	0250008001R	MICRO COFFEE GROUP
101	0250008201R	MICRO COFFEE GROUP D.40
102	0250008026R	D.36 UPPER FILTER ASSEMBLY
103	0250008208R	D.40 UPPER FILTER ASSEMBLY
104	0250008108R	D.36 LOWER FILTER

assieme



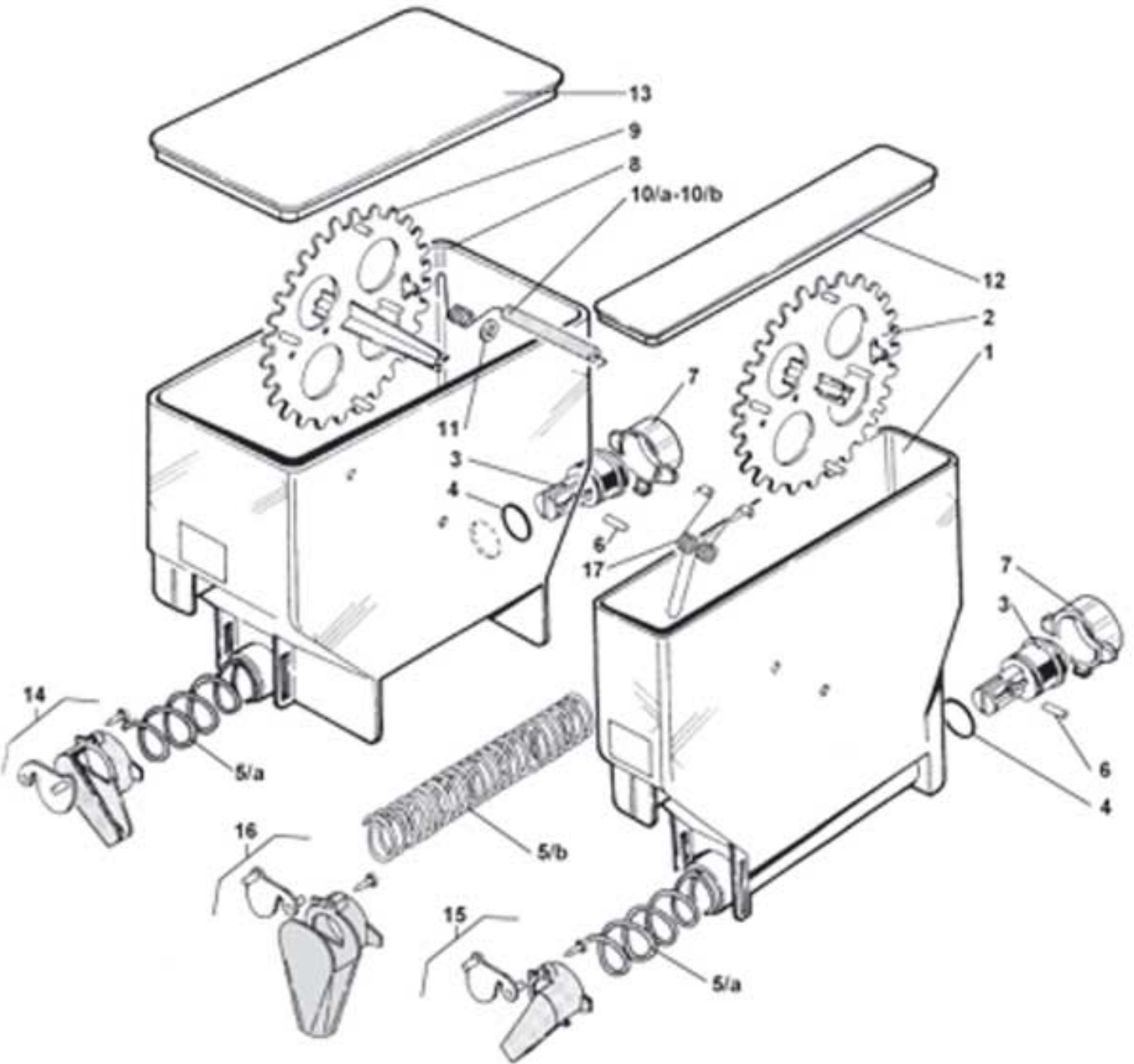
BARISTA - HEATED MICRO COFFEE GROUP

Pos.	Code	Description
1	0250008005	R.H. FRAME It's part of kit 0250008005R
2	0250008084	R.H. INFUSION CHAMBER CAM
3	0250008009	CONNECTING ROD
4	0250008028	PIN FOR CONNECTING ROD
5	0250008011	R.H. CRANK
6	0250008014	MOTOR CRANK PIN
7	0250008042	ANTIVIBRATION WASHER
8	VIT0006515	D.5 RADIAL STOP RING
9	0250008031	R.H. REAR GUIDE
10	VIT0002026	3.5x 6.5 STAINLESS STEEL TAPPING TCB SCREW
11	0250008033	FRONT GUIDE
12	0250008006	L.H. FRAME It's part of kit 0250008005R
13	0250008085	L.H. INFUSION CHAMBER CAM
14	0250008032	L.H. REAR GUIDE
15	0250008086	UPPER FILTER SUPPORT
16	0250008024	UPPER FILTER SPRING
17	0250008087	SPRING COVER PIPE
18	0250008026	D.36 UPPER FILTER
19	0250008019	FILTER
20	VIT0000121	M 3x8 TSP SCREW
21	GUA0000080	SILICONE 4112 OR
22	VIT0006513	D.8 STAINLESS STEEL INSIDE SEEGER
23	0250008215R	INFUSION CHAMBER WITH GROUNDS CHUTE
24	GUA0000065	SILICONE OR 112
25	0250008053	LOWER INLET CUP BUSH
26	0250008029	GLASS BUSH PIN
27/a	0250008108	FILTER SUPPORT SHFT It's part of kit 0250008108R
27/b	0250008122	LOWER FILTER
28	0250008226	ROLL SUPPORT
29	0250008021	ROLL SHAFT
30	0250008022	ROLL SHAFT
31	VIT0006516	D.3.2 RADIAL STOP RING
33	0250008083	FILTER EJECTION CAM
34	0250008016	R.H. FILTER RECOVERY CAM
35	0250008017	L.H. FILTER RECOVERY CAM
36	0250008036	COFFEE CONE
37	VIT0004803	STAINLESS STEEL NUT M4
38	0250008035	SETTING PLATE
39	VIT0000032	M 4x8 INOX TCB SCREW
40	VIT0003309	4.3x16x1.5 STAINLESS STEEL FLAT WASHER
41	VIT0005523	4x60 STAINLESS STEEL TCEI SCREW
42	VIT0004810	M 4 SELFLOCKING NUT
43	VIT0002461	SCREW TCCCRT 4,2 x 26
44	0250008039	L.H. FRAME COVER
	0250008039CM	L.H. FRAME COVER MERCEDES GREY RAL 9006
	0250008039IC	L.H. FRAME COVER ORANGE RAL 2011
45	0250008048	KEY FOR NUT
46	0250008110CL	WATER INLET PIPER ASSEMBLY
47	0250008119	SPRING
48	VIT0003451	GROWER SPRING WASHER
50	0250008213R	COMPLETE HEATING ELEMENT
51	SCH0006880	HEATING ELEMENT POWER BOARD
52	GUA0000061	2010 VITON OR
54	0250008076CL	COFFEE OUTLET PIPE ASSEMBLY
100	0250008220R	HEATED MICRO COFFEE GROUP D.36
101	0250008227R	ASSEMBLED LOWER FILTER ROLL SUPPORT (POS. 28-29-30-31)



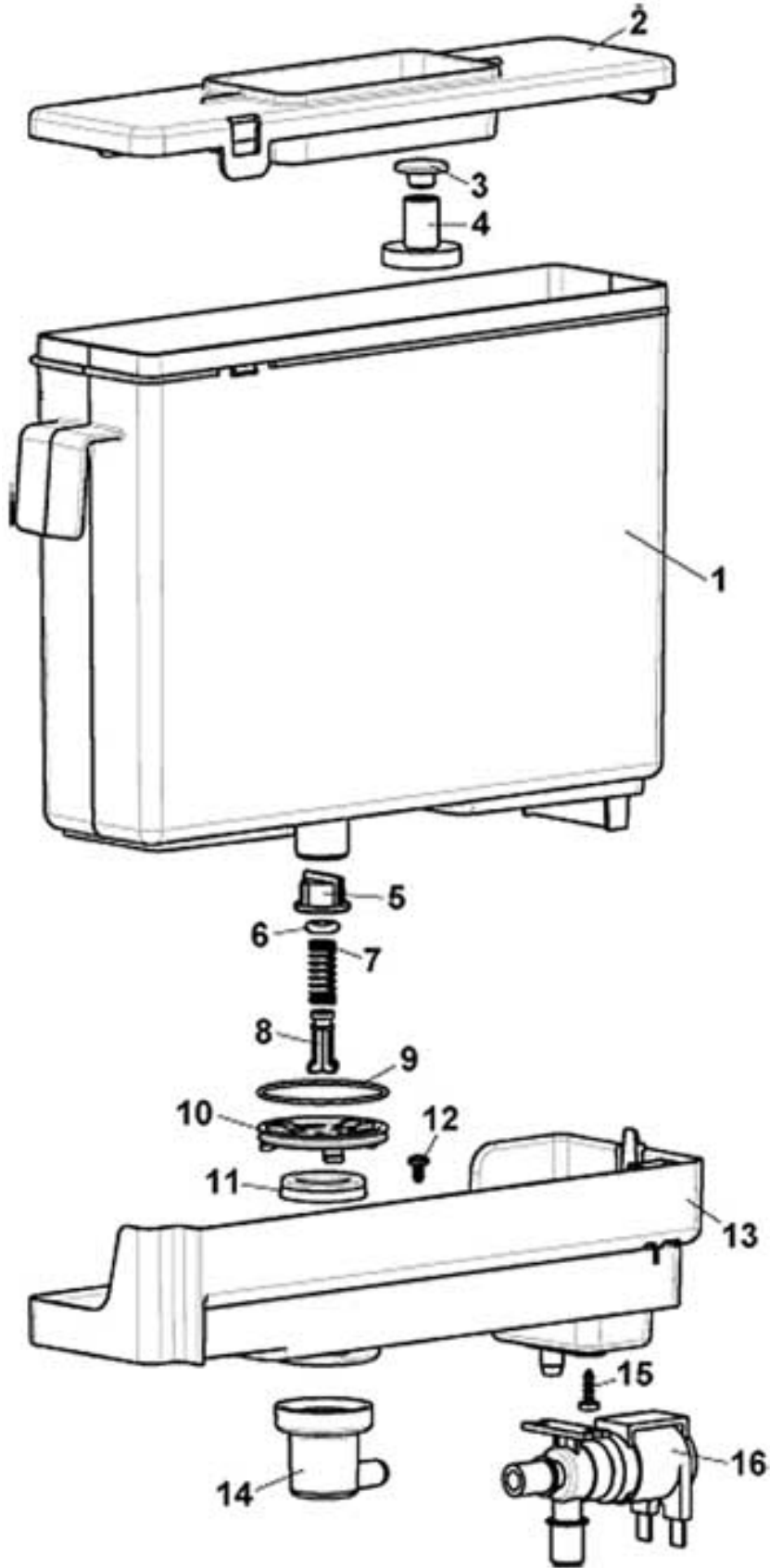
BARISTA - COFFEE BEANS CONTAINER

Pos.	Code	Description
1	0230015217	COFFEE CONTAINER COVER
2	0230015213	COFFEE CONTAINER
3	0230015212	COFFEE CONTAINER CONNECTION
4	VIT0002009	TAPPING SCREW T.C.B. 3,5 x 6,5
5	0230015218	SWICHT OF BEANS
6	0230015207	RED COFFEE CONTAINER BLADE
	0230015207IC	RED COFFEE CONTAINER BLADE ORANGE RAL 2011
7	0230015215	COFFEE CONTAINER BOTTOM
8	VIT0002101	3.9x 13 TAPPING TCB SCREW
100	0230015210CL	ASSEMBLED COFFEE CONTAINER

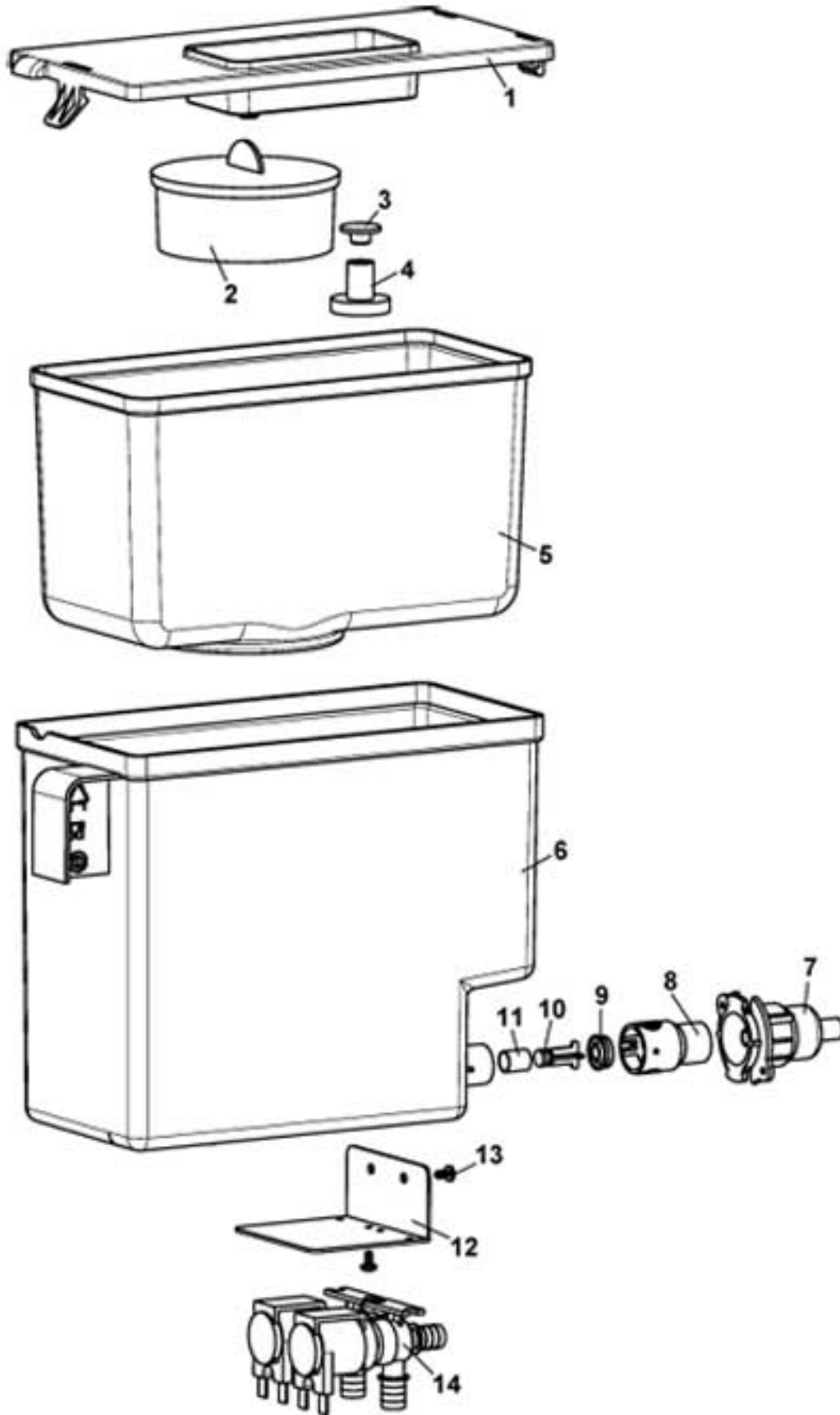


BARISTA - PRODUCTS CONTAINER

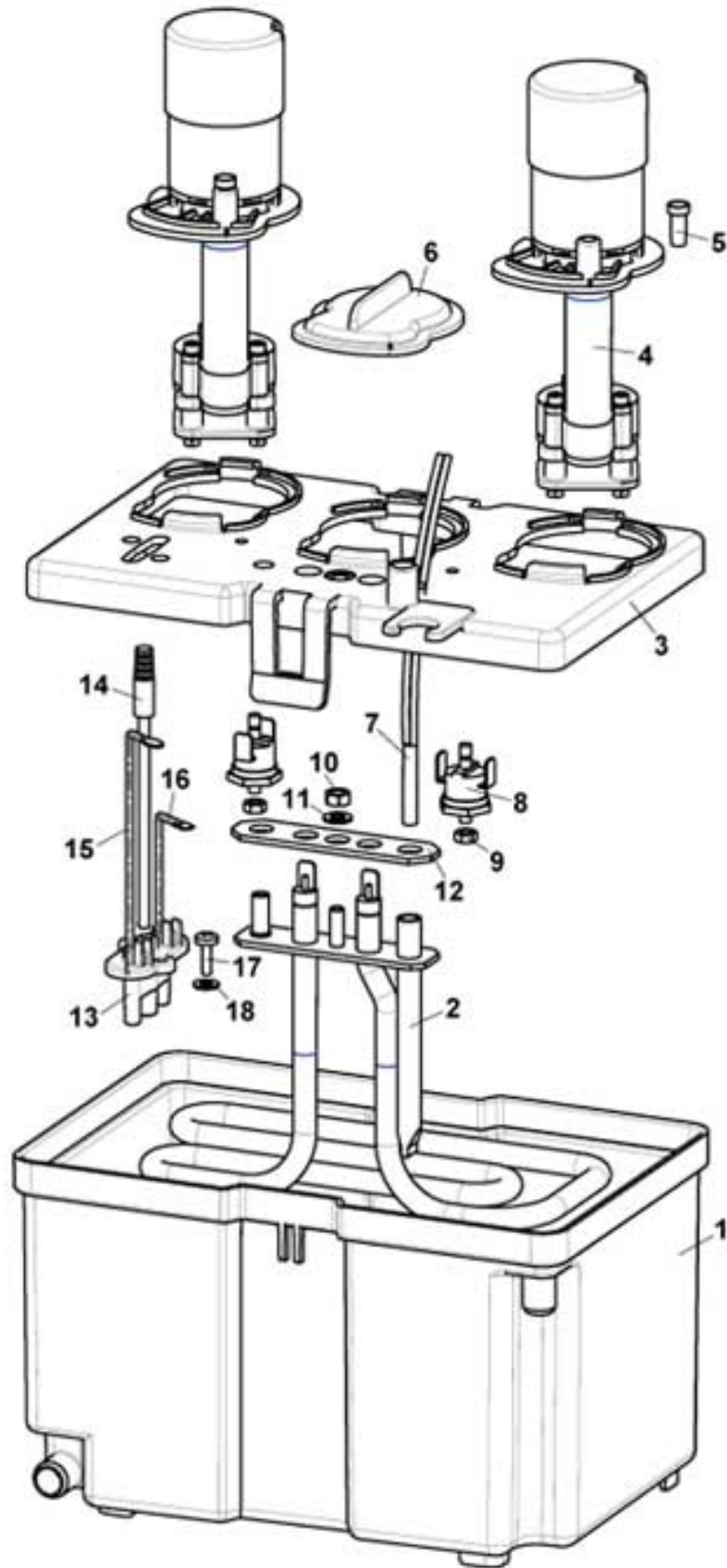
Pos.	Code	Description
1	0230030155	PLASTIC INGREDIENT CONTAINER 55 mm. PP
2	0230030159	MIXER GEAR
	0230030159IC	MIXER GEAR ORANGE RAL 2011
3	0230030012	WORM SCREW PIN
4	GUA0000083	OR 123
5/a	0230030013	WORM SCREW P. 9
5/b	0230030014	WORM SCREW P.18
6	VIT0005301	ELASTIC PIN D.2 x 14
7	0230030011	REAR BUSH
8	0230030157	PLASTIC INGREDIENT CONTAINER 110 mm. PP
9	0230030161	MIXER GEAR mm.110
	0230030161IC	MIXER GEAR mm.110 ORANGE RAL 2011
10/a	0230030041	INGREDIENT MIXER 112 mm. R.H. OUTLET
10/b	0230030042	INGREDIENT MIXER 112 mm. L.H. OUTLET
11	VIT0003210	STAINLESS STEEL FLAT WASHER D. 8.4 x 14 x 1.6
12	0230030156	CONTAINER COVER 54 mm.
13	0230030158	CONTAINER COVER 110 mm.
14/a	0230030058R	RIGHT CONVEYOR INGREDIENT
14/b	0230030044R	RIGHT CONVEYOR INGREDIENT
15/a	0230030057R	LEFT CONVEYOR INGREDIENT
15/b	0230030043R	LEFT CONVEYOR INGREDIENT
16/a	0230030059R	CONVEYOR INGREDIENT
16/b	0230030055R	CONVEYOR INGREDIENT
17	0230030052	ANTIBRIDGING
100	0230030164R	PROD. CONT. 54 mm VSF18 W/COVER - MIXER
101	0230030155R	INGREDIENT CONTAINER 54 mm WORM SCREW 18 WITHOUT FEEDER
102	0230030156R	PRODUCT CONTAINER 54 mm WORM SCREW 9 WO/FEEDER
103	0230030157R	PROD. CONT. 110 mm WORM SCREW 112 mm WORM SCREW WO/FEEDER R.H. OUTLET
104	0230030159R	PROD. CONT. 110 mm WORM SCREW 112 mm WORM SCREW WO/FEEDER L.H. OUTLET
105	0230030013CL	PIN WORM SCREW P. 9 ASSEMBLED
106	0230030014CL	PIN WORM SCREW P. 18 ASSEMBLED



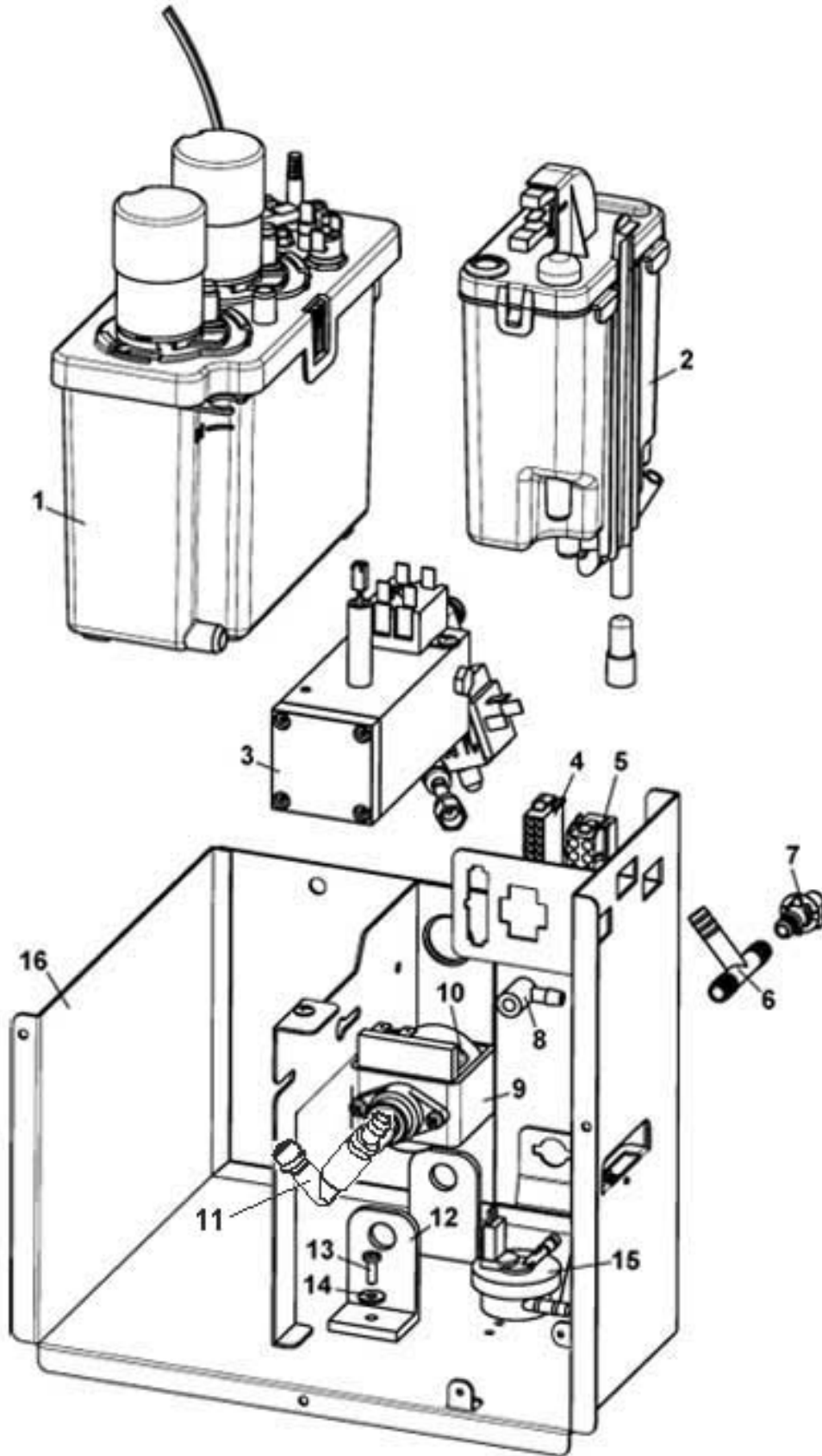
Pos.	Code	Description
1	0800012506	WATER TANK
2	0800012507	COVER WATER TANK
3	0020037045	FLOATER "T"RAL3020 XX
4	0020037046	FLOATER "T"RAL3020 XX
5	0110020011	FILTER
6	GUA0000082	SILICONE GASKET D.6 CORD 3
7	0800012012	CLOSING PIN SPRING
8	0800012009	WATER TANK CLOSING PIN
9	GUA0000046	2137 OR
10	0800012515	STO GASKET RING
	0800012515NA	STO GASKET RING BLACK
11	GUA0002100	GASKET GU84-118075 SILIC.
12	VIT0002015	STAINLESS STEEL SCREW TBC 3.5 x 9.5 INOX
13	0800012511	SUPPORT WATER TANK
14	0800012512	WATER TANK ELBOW
15	VIT0002469	SCREW TC 3.5 x 10 FOR PLASTIC
16	0110001103	EV NC.2VIE S/R 24DC D.7
100	0800012500CL	WATER TANK ASSEMBLED POS.1+2 FROM POS.4 TO POS. 8
101	0800012511CL	WATER TANK ASSEMBLED SUPPORT POS.9+11 FROM POS.13 TO POS. 16



Pos.	Code	Description
1	0800012025	COVER WATER TANK
	0800012025CK	COVER WATER TANK DUST GREY RAL 7037
2	0060001010	BRITA FILTER 180/200
3	0020037045	FLOATER "T"RAL3020 XX
4	0020037046	FLOATER "T"RAL3020 XX
5	0800012018	BRITA FILTER SUPPORT
6	0800012005	WATER TANK
	0800012005PF	WATER TANK SKY BLUE SAN 5195
7	0800012015	FIXED TANK CONNECTION
8	0800012008	TANK CLOSING GASKET SUPPORT
9	GUA0002008	SILICONE GASKET DE 062
10	0800012009	WATER TANK CLOSING PIN
11	0800012012	CLOSING PIN SPRING
12	0010027631	2EV SUPPORT RPE
13	VIT0002009	TAPPING SCREW T.C.B. 3,5 x 6,5
14	0110001103	EV NC.2VIE S/R 24DC D.7
100	0800012020R	COMPLETE KIT BRITA FILTER POS.2+5

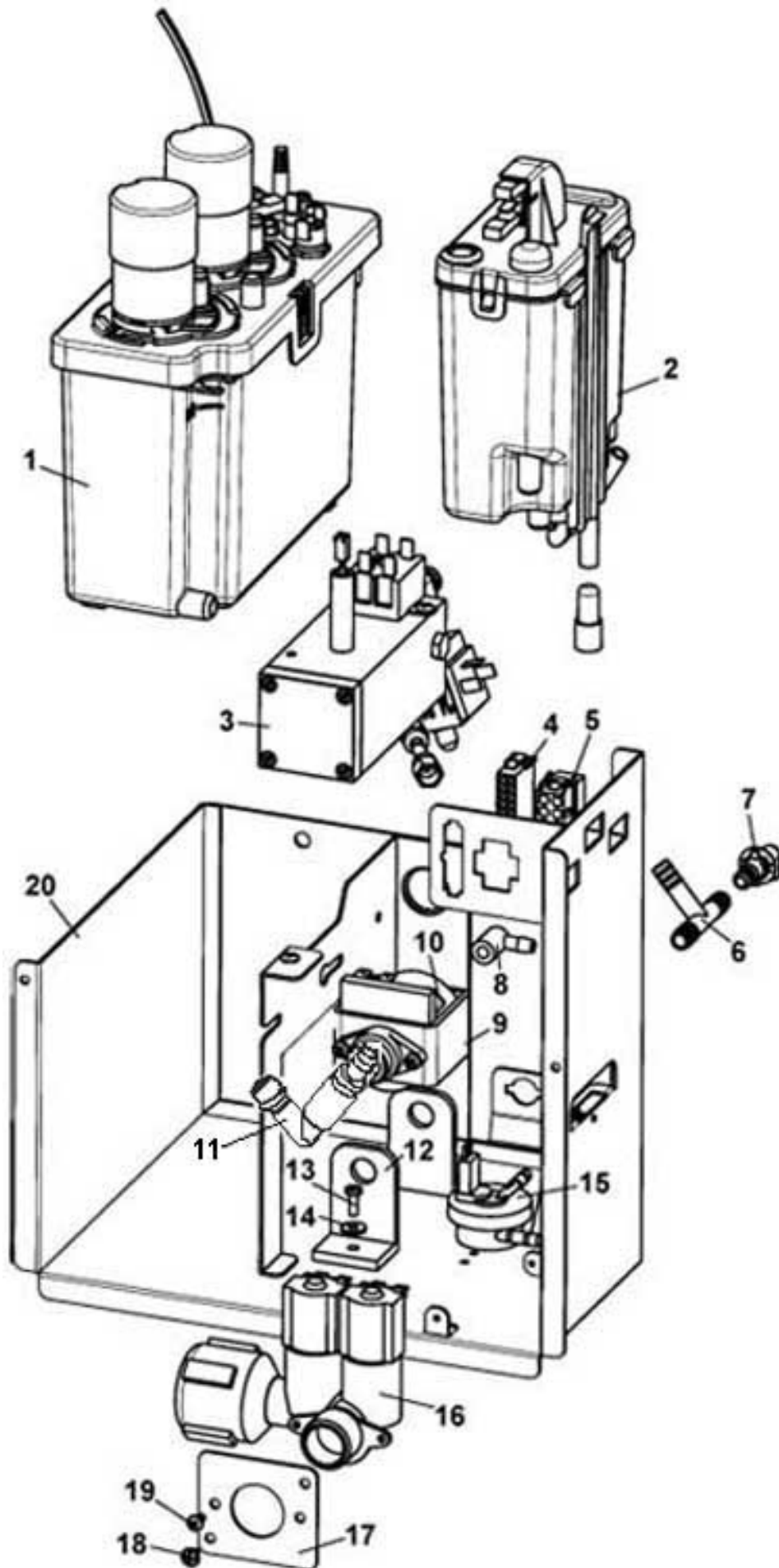


Pos.	Code	Description
1	0600016401	BOILER TANK
2	0600016415R	1300W 230V C/GUA HEATING ELEMENT
3	0600016402	BOILER COVER
4	0600016405R	BOILER PUMP
5	0600016425	REDUCTION
6	0600016422	PUMP COVER
7	ELE0003026CL	121° FUSE ASSEMBLED
8	ELE0000965	MANUAL RESET THERMOSTAT 88°C
9	VIT0004816	STAINLESS STEEL NUT M4
10	VIT0004804	STAINLESS STEEL NUT M5
11	VIT0003203	STAINLESS STEEL FLAT WASHER D.5.3 x 10 x 1
12	0600016038	HEATING ELEMENT GASKET
13	0600016059	PROBE SUPPORT
14	ELE0000963R	PRIMA SOLUBLE PROBE
15	0600016053	MIN. WATER LEVEL PROBE
16	0600016054	MAX WATER LEVEL PROBE
17	VIT0001005	SCREW T.C.B. M 4 x 12
18	VIT0003211	STAINLESS STEEL FLAT WASHER D.4,3 x 9 x 0,8
100	0600016400CL	BOILER ASSEMBLY 230V XX



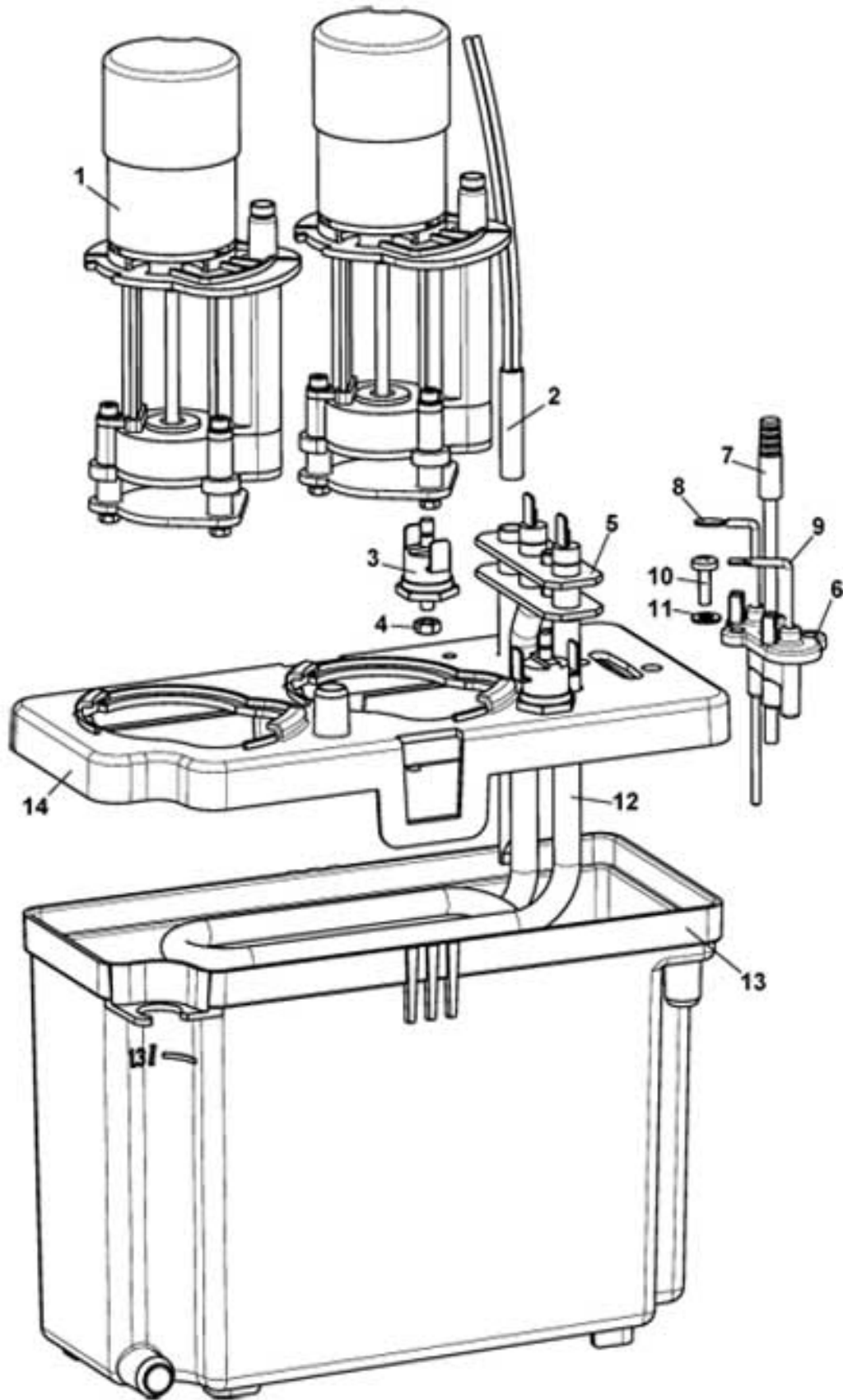
BARISTA - HYDIC COMPONENTS SUPPORT A.A.

Pos.	Code	Description
1		See table BOILER
2		See table WATER INLET PANEL A.A.
3		See table FLASH ITER
4	CBLXX00044	ACTUATOR HARNESS 24V BOILER SUPPORT
5	CBLXX00045	ACTUATOR HARNESS 230V BOILER SUPPORT
6	0100003003	TEE UNION
7	0080100084	90° CONNECTION
8	0110004023	PIPETTE
9	0110004041	EX5 230V 50 HZ PUMP
10	ELE0000915	THERMIC PROTECTION
11/a	0110004070	BY PASS VALVE 110 FOR COFFEE BEANS GROUP D. 36
11/b	0110004060	BY PASS VALVE 80 FOR COFFEE BEANS GROUP D. 40
12	0110004022	BRACKET SUPPORT
13	VIT0000013	M 4x12 TCB SCREW
14	VIT0003301	WASHER D.12 x 4.3 x 1.5
15	0110007003	VOLUME COUNTER W/RUBBERHOLDER
16	0010027617	HYDRIC COMPONENTS SUPORT
	0010027617CM	HYDRIC COMPONENTS SUPORT FOR COFFEE BEANS GROUP D. 40 MERCEDES GREY RAL 9006
100	0010027616CL0	ASSMEBLED STANDARD COFFEE BEANS GROUP HYDRIC COMPONENTS
101	0010027616CL2	ASSMEBLED BIGGER COFFEE BEANS GROUP HYDRIC COMPONENTS

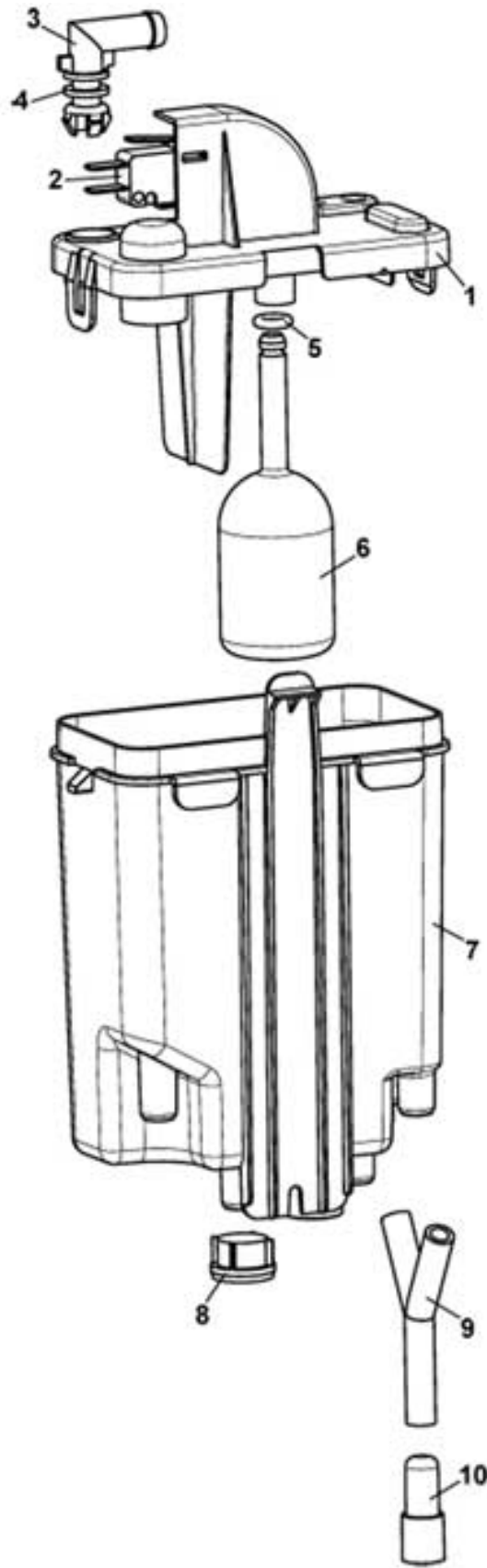


BARISTA - HYDIC COMPONENTS SUPPORT A.R.

Pos.	Code	Description
1		See table BOILER
2		See table WATER INLET PANEL A.R.
3		See table FLASH ITER
4	CBLXX00044	ACTUATOR HARNESS 24V BOILER SUPPORT
5	CBLXX00045	ACTUATOR HARNESS 230V BOILER SUPPORT
6	0100003015	TEE UNION
7	0080100084	90° CONNECTION
8	0110004023	PIPETTE
9	0110004041	EX5 230V 50 HZ PUMP
10	ELE0000915	THERMIC PROTECTION
11/a	0110004070	BY PASS VALVE 110 FOR COFFEE BEANS GROUP D. 36
11/b	0110004060	BY PASS VALVE 80 FOR COFFEE BEANS GROUP D. 40
12	0110004022	BRACKET SUPPORT
13	VIT0000013	M 4x12 TCB SCREW
14	VIT0003301	WASHER D.12 x 4.3 x 1.5
15	0110007003	VOLUME COUNTER W/RUBBERHOLDER
16	0110001109	EV.DIS.SICUR.2VIE MOD.24VDC
17	0010027620	WATER INLET VALVE SUPPORT
18	VIT0002401	TAPPING SCREW TCB 3.5 x 9.5
19	VIT0002005	3.9x 9.5 TAPPING TCB SCREW
20	0010027617	HYDRIC COMPONENTS SUPORT
	0010027617CM	HYDRIC COMPONENTS SUPORT FOR COFFEE BEANS GROUP D. 40 MERCEDES GREY RAL 9006
100	0010027615CL0	ASSMEBLED STANDARD COFFEE BEANS GROUP HYDRIC COMPONENTS
101	0010027615CL2	ASSMEBLED BIGGER COFFEE BEANS GROUP HYDRIC COMPONENTS

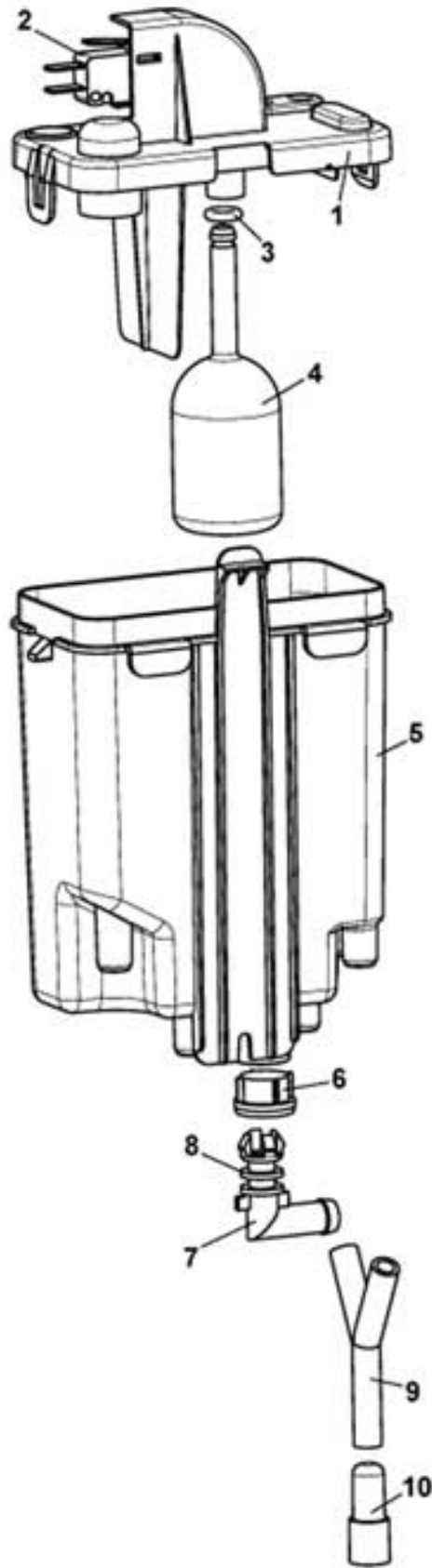


Pos.	Code	Description
1	0600016405R	BOILER PUMP
2	ELE0003026CL	121° FUSE ASSEMBLED
3	ELE0000965	MANUAL RESET THERMOSTAT 88°C
4	VIT0004816	STAINLESS STEEL NUT M4
5	0600016468	HEATING ELEMENT GASKET
6	0600016059	PROBE SUPPORT
7	ELE0000963	
8	0600016053	MIN. WATER LEVEL PROBE
9	0600016054	MAX WATER LEVEL PROBE
10	VIT0001005	SCREW T.C.B. M 4 x 12
11	VIT0003211	STAINLESS STEEL FLAT WASHER D.4,3 x 9 x 0,8
12	0600016469	1300 W 230 V HEATING ELEMENT
13	0600016451	2 PUMPS BOILER TANK
14	0600016452	2 PUMPS BOILER COVER
100	0600016450R	2 PUMP BOILER ASSEMBLY 230V



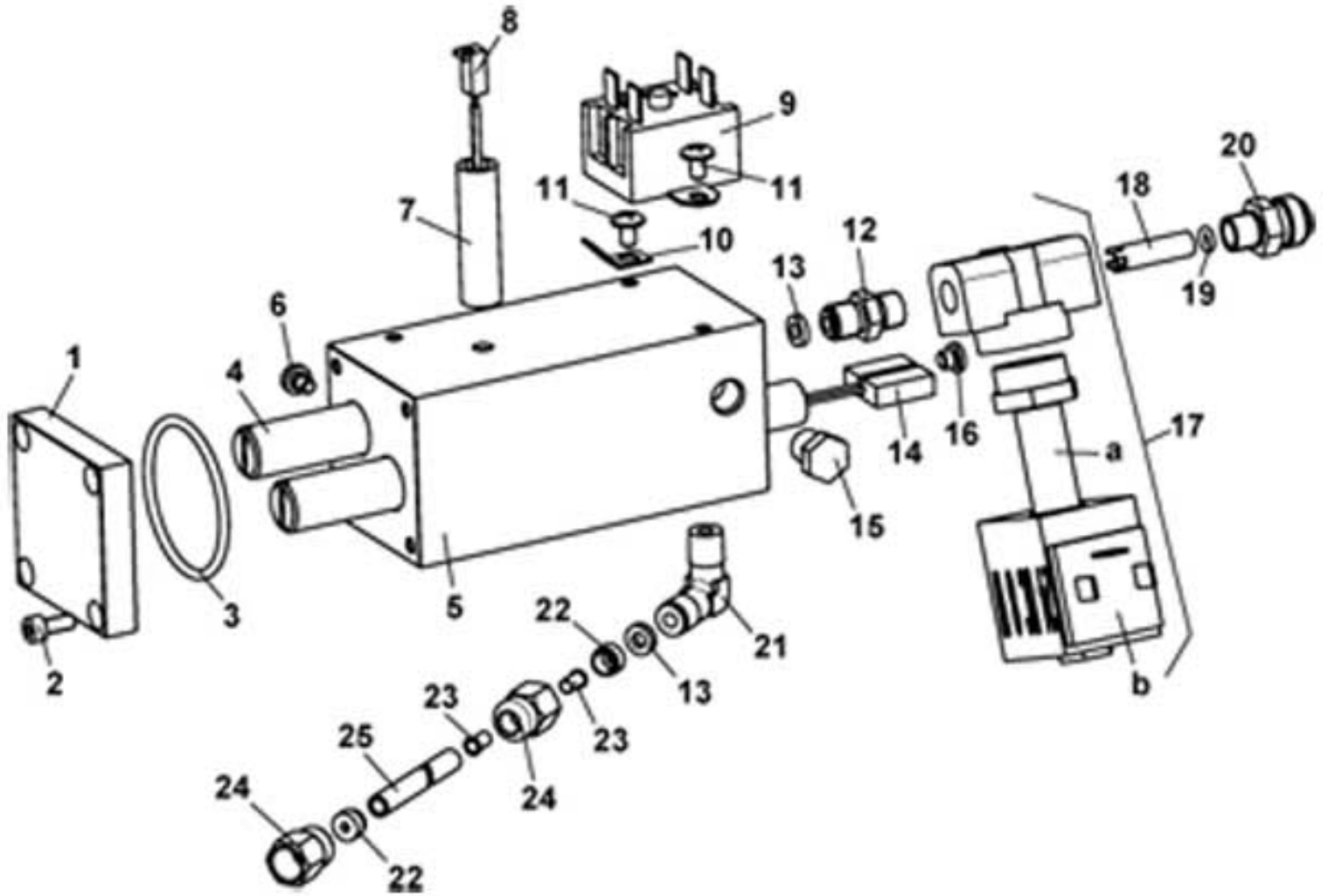
BARISTA - WATER INLET PANEL A.A.

Pos.	Code	Description
1	0800013043	TANK COVER
2	ELE0001514	3 A 250 V MICROSWITCH
3	0800009211	ELBOW WITH RAPID CONNECTION
4	GUA0000043	OR 109
5	GUA0000082	SILICONE GASKET D.6 CORD 3
6	0800013046	FLOATER TANK
7	0800013041	TANK
8	0110020007	D.20 PLASTIC FILTER
9	0100001065	'Y' FITTING
10	650001057	BOILER DISCHARGE PLUG
100	0800013040CL	TANK A.A.

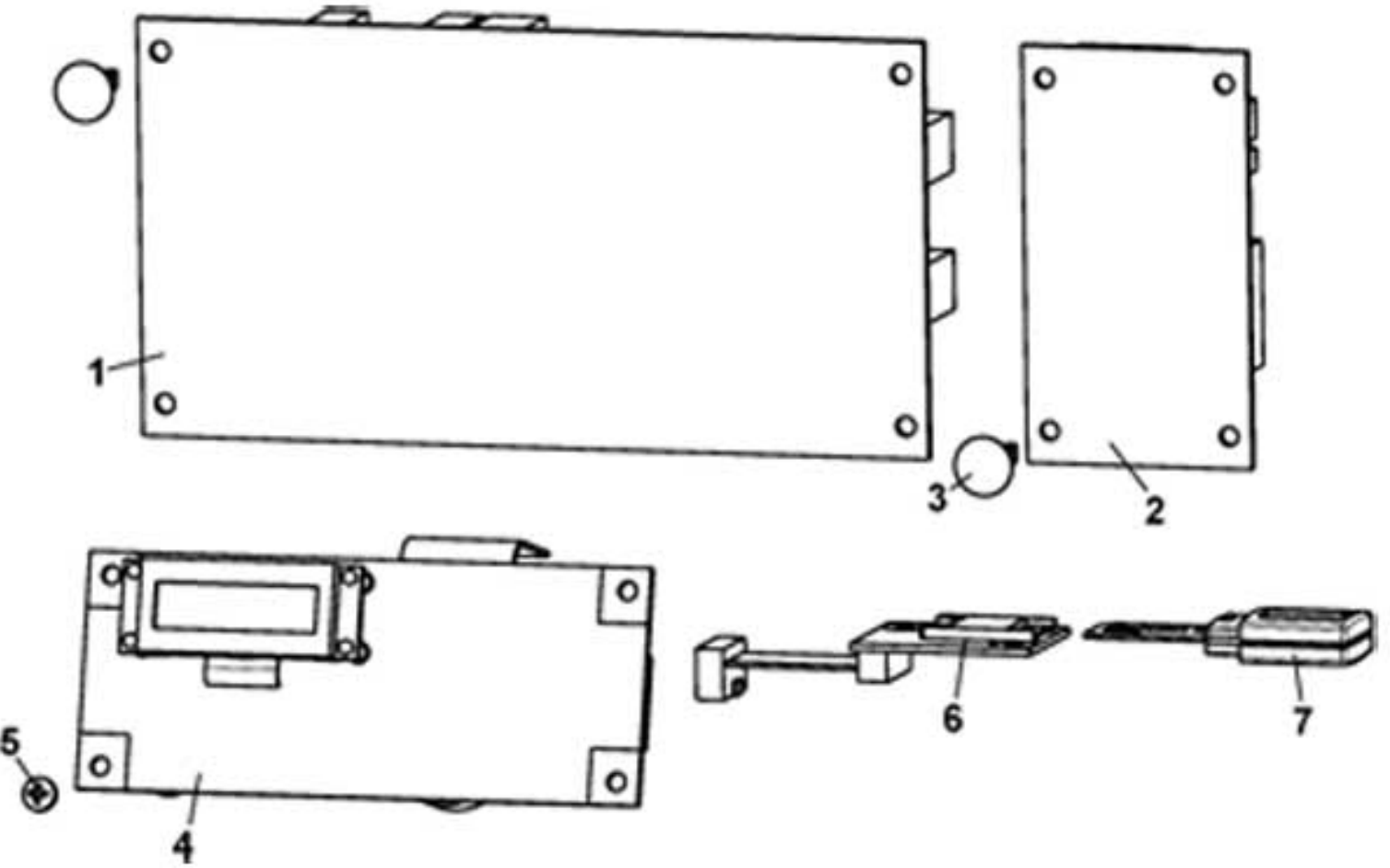


BARISTA - WATER INLET PANEL A.R.

Pos.	Code	Description
1	0800013043	TANK COVER
2	ELE0001514	3 A 250 V MICROSWITCH
3	GUA0000082	SILICONE GASKET D.6 CORD 3
4	0800013046	FLOATER TANK
5	0800013041	TANK
6	0110020007	D.20 PLASTIC FILTER
7	0800009211	ELBOW WITH RAPID CONNECTION
8	GUA0000043	OR 109
9	0100001065	'Y' FITTING
10	650001057	BOILER DISCHARGE PLUG
100	0800013040CL1	TANK A.R.



Pos.	Code	Description
1	0600019162	EXCHANGE FLANGE
2	VIT0005511	4x10 TCEI SCREW
3	GUA0000099	3162 OR VITON
4	0600019154	CERAMICS CARTRIDGE D.14,5 L92,5
5	0600019163	HEAT EXCHANGE
6	4060010126	PLASTIC COIN DRAWER BOX
7	TSIL07/11T	TRANSPARENT SILICONE PIPE D.7 x 11
8	ELE0000930	NTC 10K/TE PROBE
9	ELE0009031	BIPOLAR THERMOSTAT 145°
10	0600019012	MASS BLOCK
11	VIT0000030	SCREW TCB M4 x 7
12	0100001017	STRAIGHT CONNECTION D.6-1/8M CON.
13	0100003002	COPPER GASKET
14	0600019157	HEATING CARTRIDGE 700W 230V
15	4600020115	PLUG
16	0100001078	MAN CAP M5 WITH OR VITON
17	0110001072	24 DC 1/8 3-WAY VALVE
17/a	0110010035	3-WAY VALVE SLEEVE
17/b	0110010065	8W 24 D.C. COIL
18	0110003122	OR SPACER
19	GUA0000069	2015 OR
20	0110003121	WATER OUTLET UNION
21	0100001019	L FITTING D.6-1/8M CON.
22	0100002002	LOCKING RING D.6
23	0100002005	STRENGTHENING BUSH D.4
24	0100001002	NUT FOR PIPE FITTING D.6
25	TNAY000001	D.6*4 POLYAMIDE PIPE
100	0600019160R2	



Pos.	Code	Description
1	SCH0006600	CPU POWER
2	SCH0006620	CPU EXPANSION ONLY FOR ESPRESSO VERSIONS
3	ELE0062013	BOARD SUPPORT
4	SCH0005840	DISPLAY BOARD
5	VIT0002009	TAPPING SCREW T.C.B. 3,5 x 6,5
6	SCH0005860	FLASH BOARD
7	0020040310CL	RHEA FLASH MEMORY