

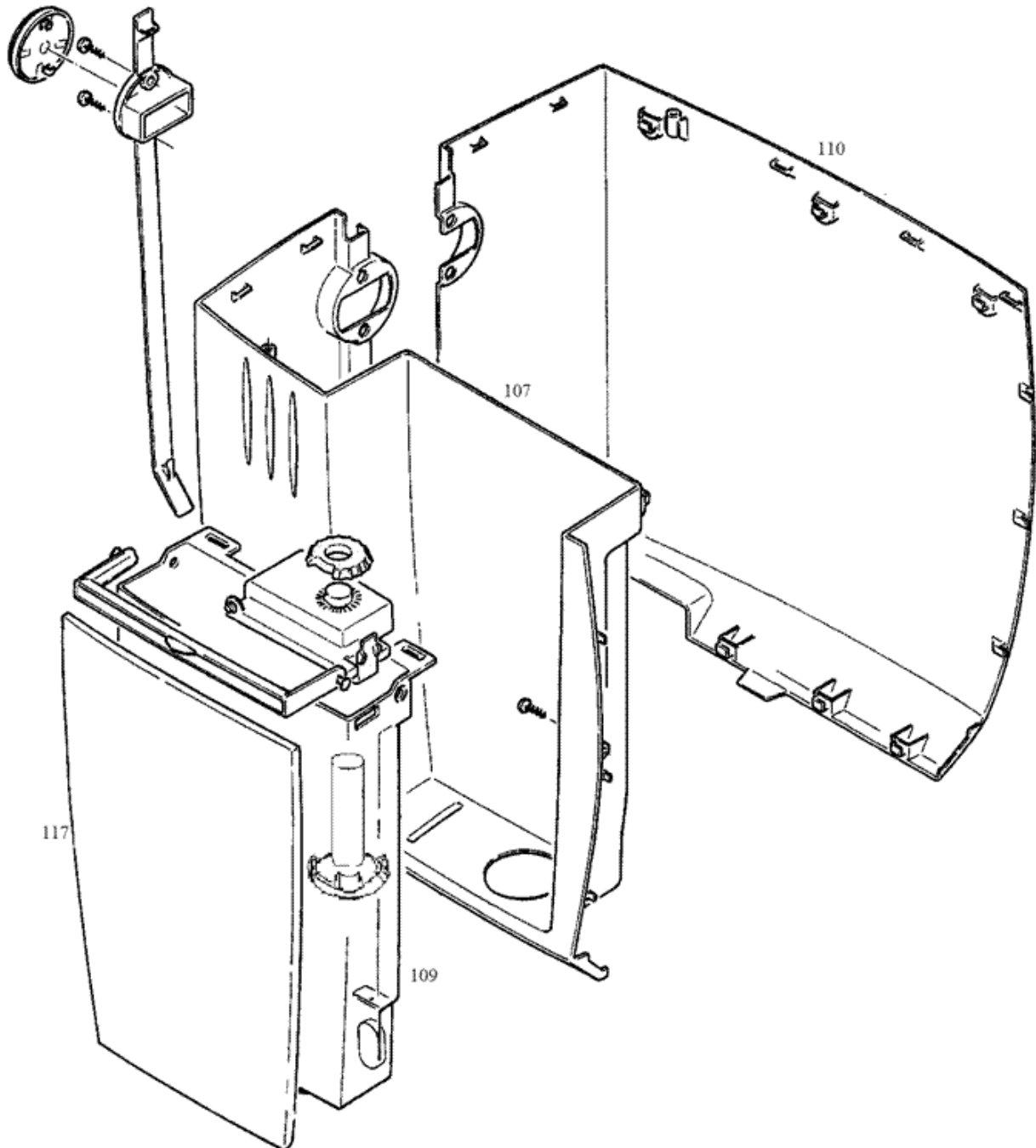
The recycling passport is valid for the following articles:

|       |                                  |
|-------|----------------------------------|
| 13308 | Impresa J5 platin/white (CH)     |
| 13309 | Impresa J5 platin/white (EU)     |
| 13322 | Impresa J5 black (CH)            |
| 13323 | Impresa J5 black (EU)            |
| 13332 | Impresa J5 black (UL/JC)         |
| 13333 | Impresa J5 platin/white (UL/JC)  |
| 19002 | Impresa J5 northern birch (CH)   |
| 19003 | Impresa J5 northern birch (EU)   |
| 19004 | Impresa J5 colomb. walnut (CH)   |
| 19005 | Impresa J5 colomb. walnut (EU)   |
| 19011 | Impresa J5 northern birch (RU)   |
| 19012 | Impresa J5 colomb. walnut (RU)   |
| 13334 | Impresa J5 black (UL)            |
| 13335 | Impresa J5 platin/white (UL)     |
| 13349 | Impresa J5 black                 |
| 13350 | Impresa J5 platin/white          |
| 13396 | Impresa J5 pianowhite (CH)       |
| 13397 | Impresa J5 pianowhite (EU INT)   |
| 13405 | Impresa J5 platin/white (EU INT) |
| 13406 | Impresa J5 black (EU INT)        |
| 13407 | Impresa J5 champagne (EU INT)    |
| 13439 | Impresa J5 black (UL)            |
| 13440 | Impresa J5 platin/white (UL)     |
| 13460 | Impresa J5 pianowhite (CCC)      |
| 13465 | Impresa J5 pianowhite (UL/JC)    |
| 13532 | Impresa J5 pianowhite (IT)       |

The Variant designations mean:

(1) Case components and water tank

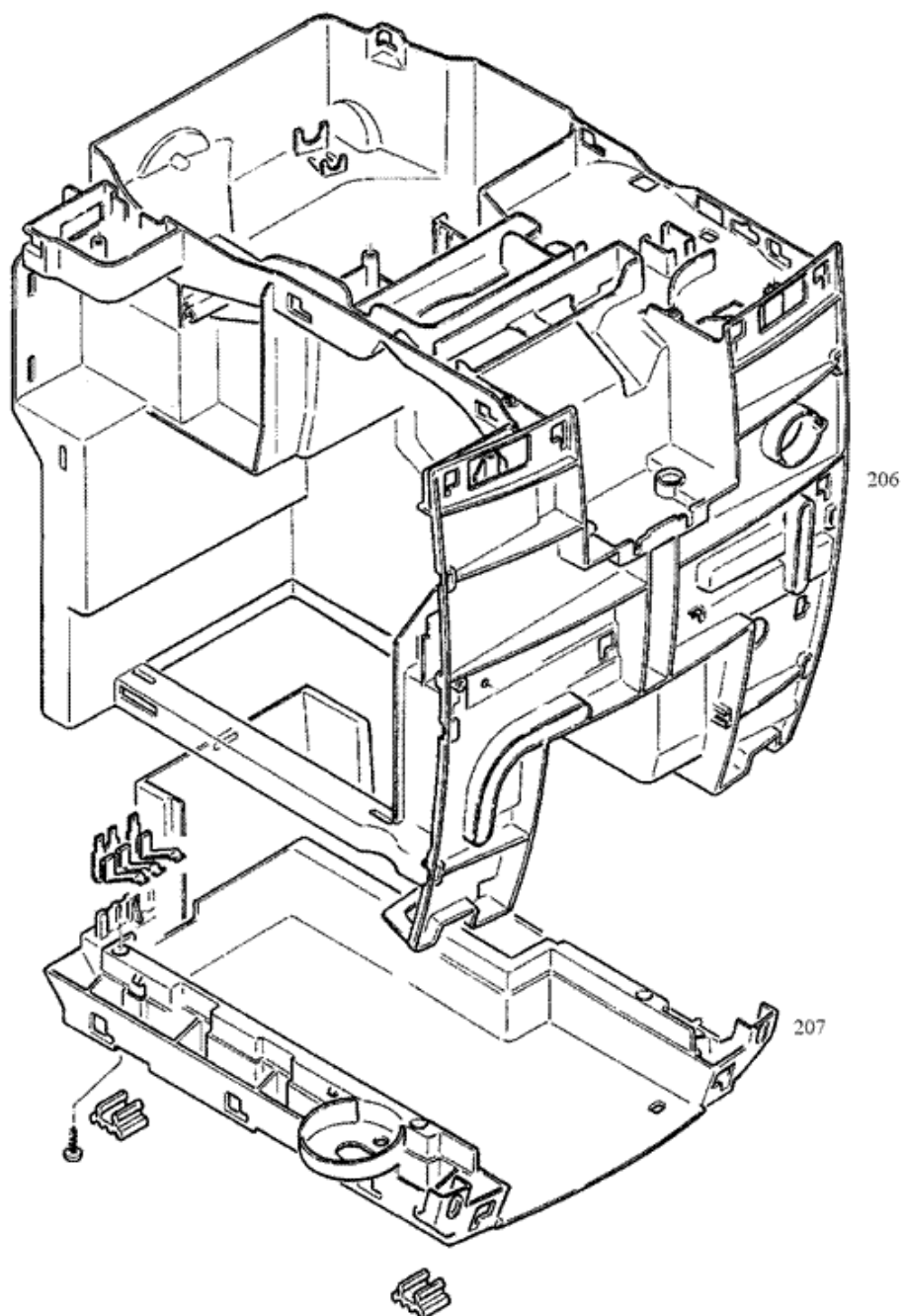
S13308\_01



| Pos  | Designation                 | Material               | Disassembly | Disposal | Variation | Return |
|------|-----------------------------|------------------------|-------------|----------|-----------|--------|
| 0107 | Left side section V3        | ABS                    |             |          |           |        |
| 0109 | Water tank complete         | SAN / PA / NBR / Steel |             |          |           |        |
| 0110 | Right side section black V3 | ABS                    |             |          |           |        |
| 0117 | Shield white                | PC                     |             |          |           |        |

## (2) Case components

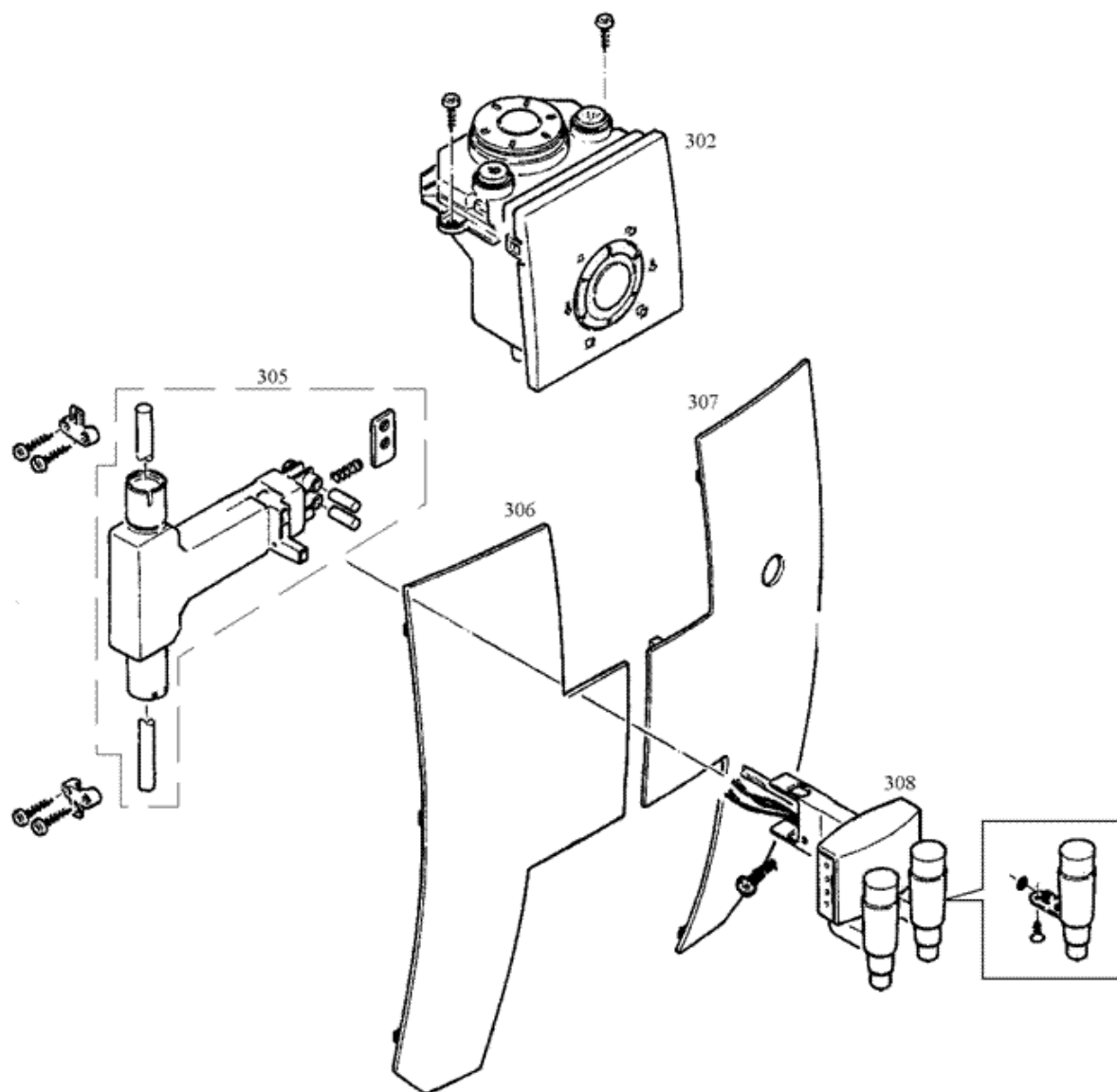
S13308\_02



| Pos  | Designation                 | Material | Disassembly | Disposal | Variation | Return |
|------|-----------------------------|----------|-------------|----------|-----------|--------|
| 0206 | Components support J5 above | ABS      |             |          |           |        |
| 0207 | Components support bottom   | ABS      |             |          |           |        |

(3) Front cover

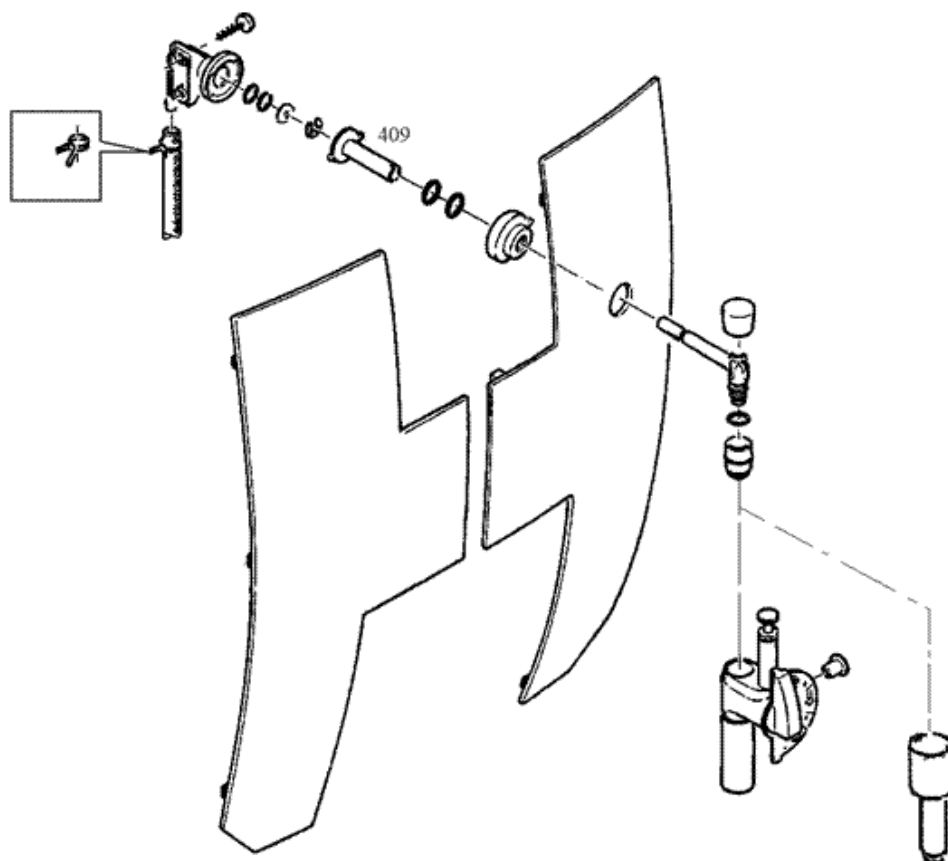
S13308\_03



| Pos  | Designation              | Material                                      | Disassembly | Disposal | Variation | Return |
|------|--------------------------|---|-------------|----------|-----------|--------|
| 0302 | Displaymodul             | Electronic                                    |             |          |           |        |
| 0305 | Outlet gate              | PA / High-grade steel                         |             |          |           |        |
| 0306 | Front shield left white  | ASA   |             |          |           |        |
| 0307 | Front shield right white | ASA   |             |          |           |        |
| 0308 | Outlet                   | ABS / POM / PA / PBT / NBR / Steel / Silicone |             |          |           |        |

#### (4) Cappu

S13308\_04





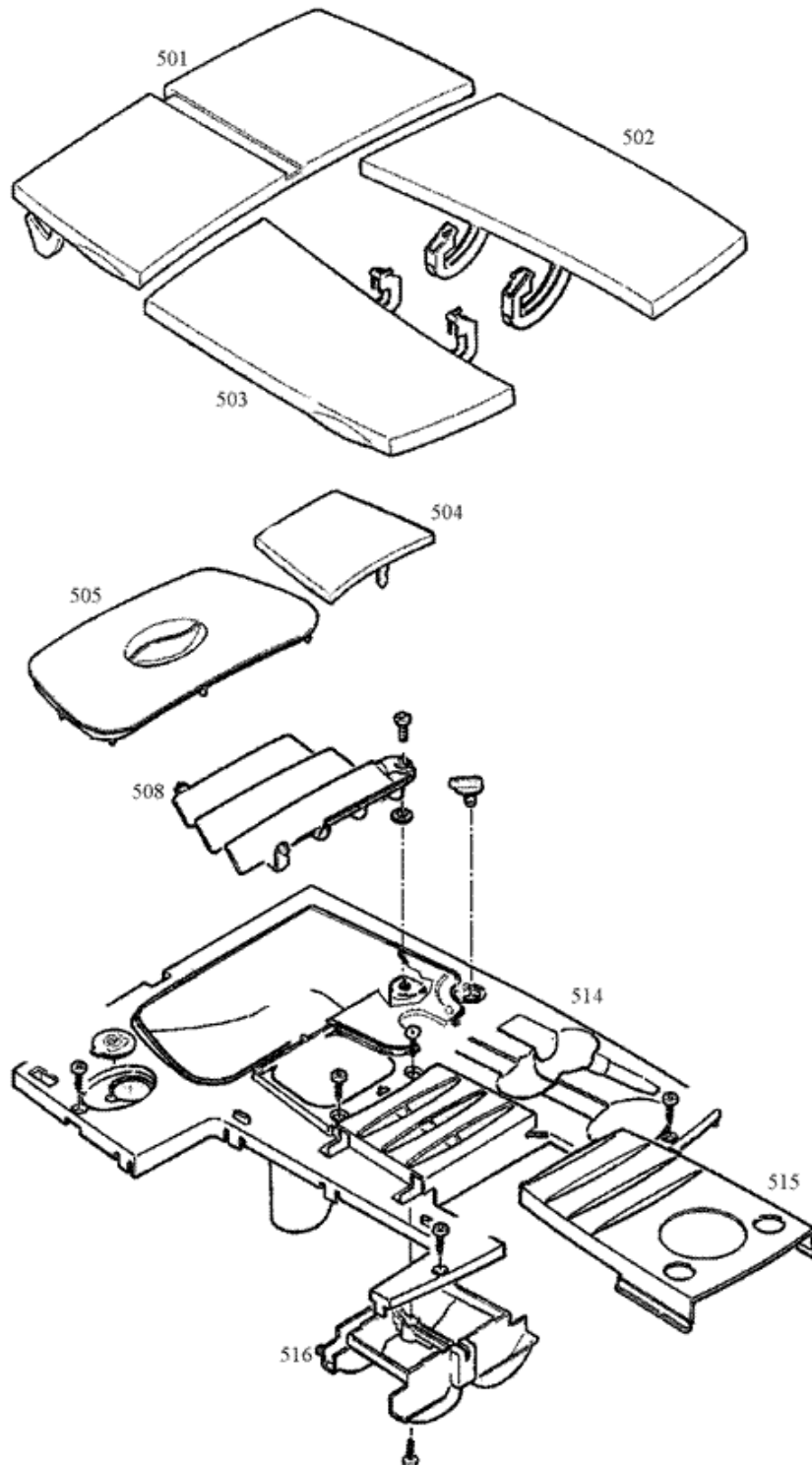
RP13308 Impresa J5 platin/white (CH)  
Edition: 09/12/09

652

| Pos  | Designation                       | Material | Disassembly | Disposal | Variation | Return |
|------|-----------------------------------|----------|-------------|----------|-----------|--------|
| 0409 | Discharge pipe<br>chromium plated | Steel    |             |          |           |        |

**(5) Case cover**

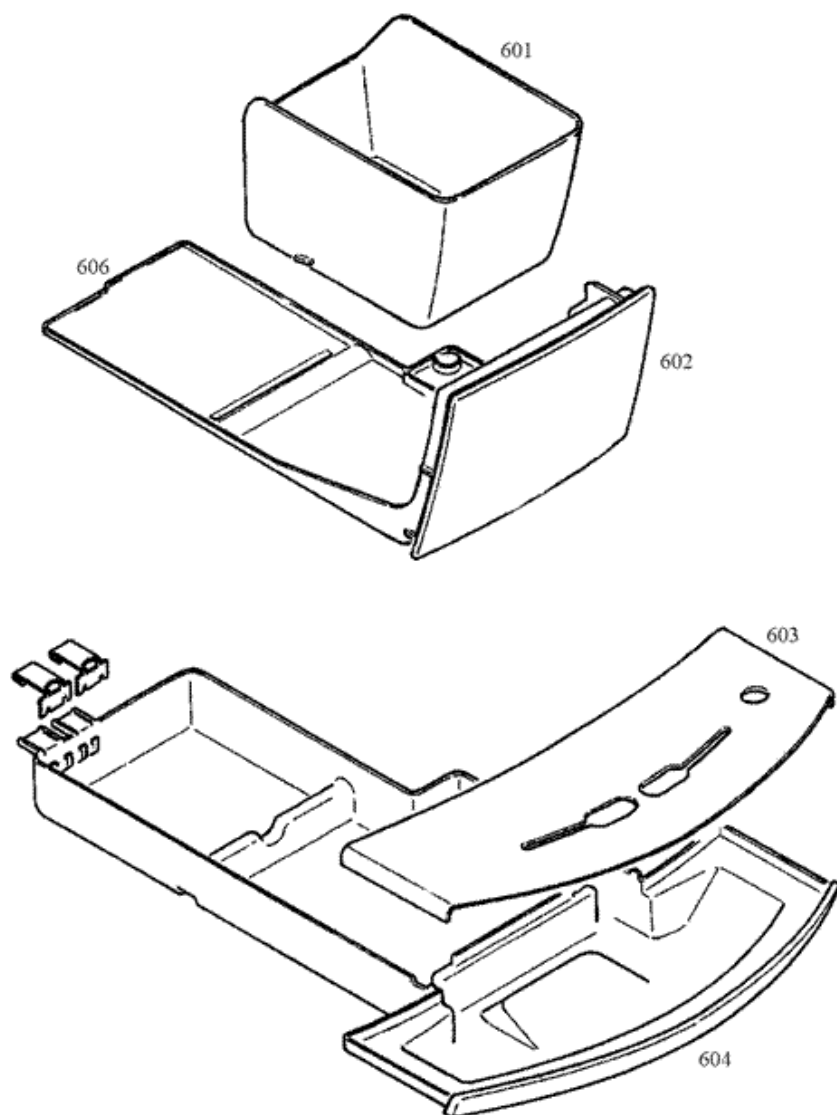
S13308\_05



| Pos  | Designation              | Material                    | Disassembly | Disposal | Variation | Return |
|------|--------------------------|-----------------------------|-------------|----------|-----------|--------|
| 0501 | Cover white              | ABS / ASA                   |             |          |           |        |
| 0502 | Cover white              | ASA                         |             |          |           |        |
| 0503 | Tank lid white           | ASA                         |             |          |           |        |
| 0504 | Powder funnel lid        | ABS                         |             |          |           |        |
| 0505 | Lid to preserve<br>aroma | SAN                         |             |          |           |        |
| 0508 | Finger guard             | ABS                         |             |          |           |        |
| 0514 | Housing lid<br>assembled | ABS / Messing / PP<br>/ SAN |             |          |           |        |
| 0515 | Display cover            | ABS                         |             |          |           |        |
| 0516 | Cover                    | ABS                         |             |          |           |        |

(6) Pan

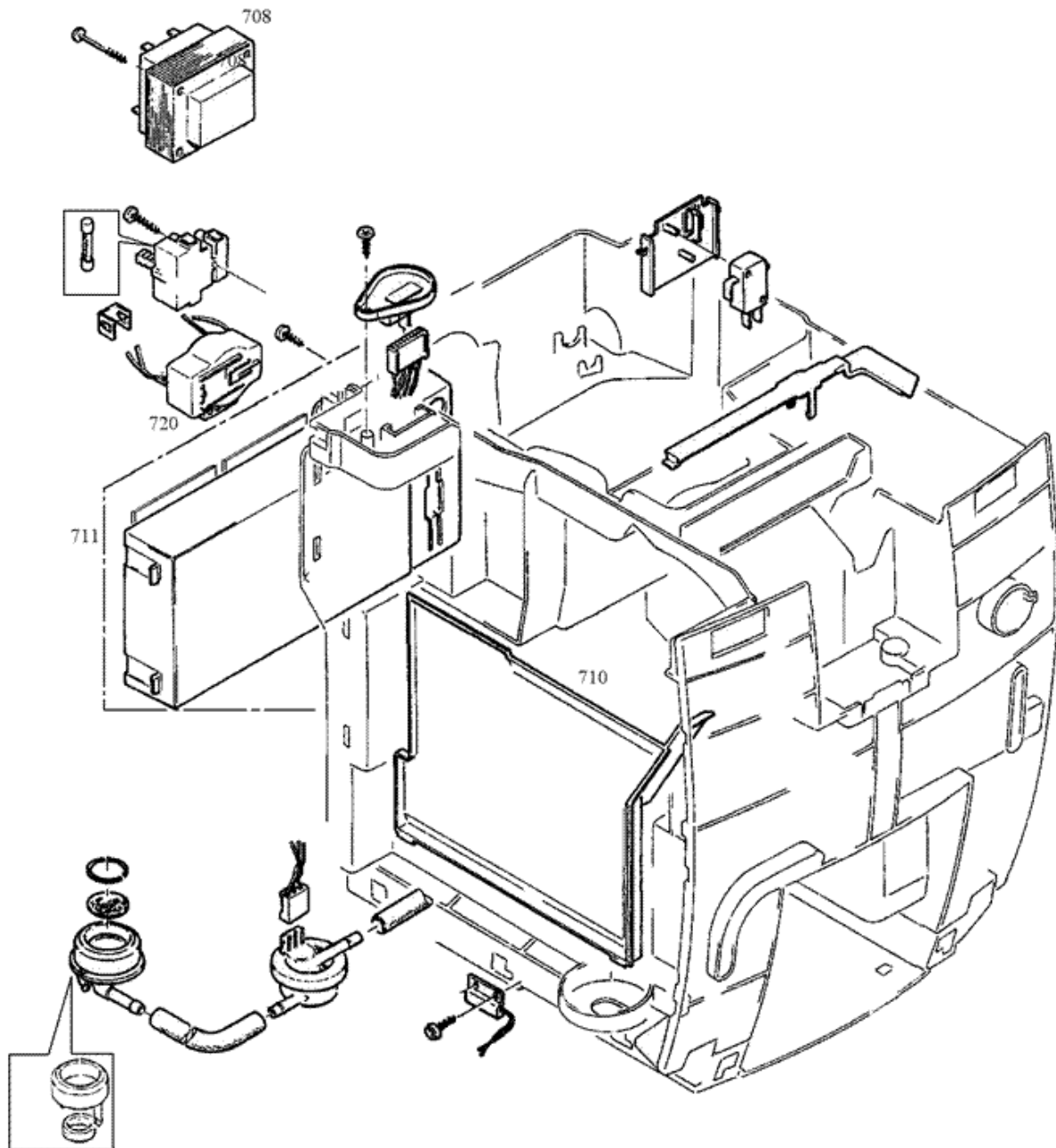
S13308\_06



| Pos  | Designation                  | Material               | Disassembly | Disposal | Variation | Return |
|------|------------------------------|------------------------|-------------|----------|-----------|--------|
| 0601 | Used ground container black  | PP                     |             |          |           |        |
| 0602 | Used ground pan shield white | ASA                    |             |          |           |        |
| 0603 | cup platform inox J5         | High-grade steel       |             |          |           |        |
| 0604 | Drain pan                    | ABS / High-grade steel |             |          |           |        |
| 0606 | Used ground pan black        | ABS                    |             |          |           |        |

### (7) Printed power circuit board

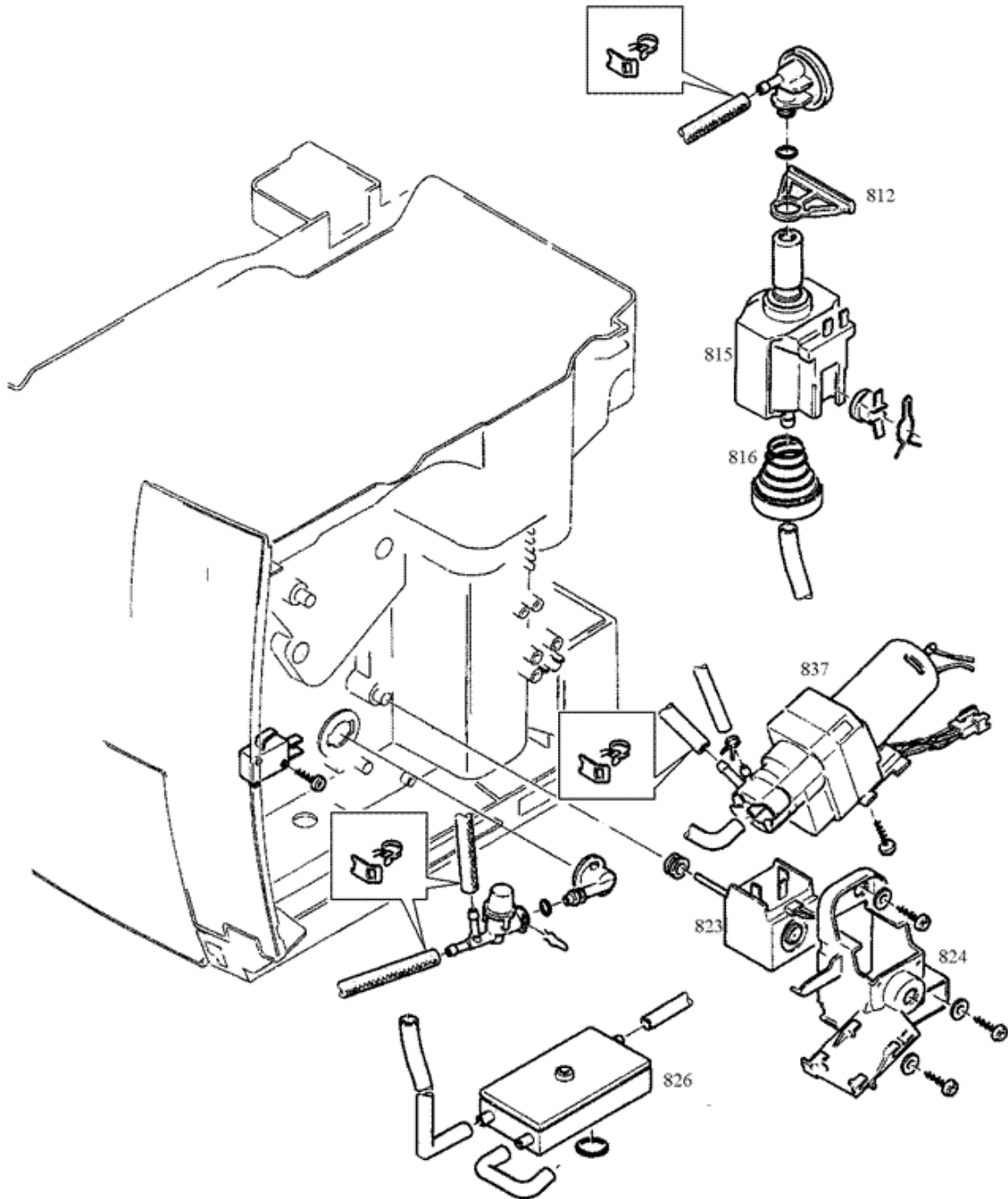
S13308\_07



| Pos  | Designation              | Material | Disassembly | Disposal | Variation | Return |
|------|--------------------------|----------|-------------|----------|-----------|--------|
| 0708 | Transformer 230V         | Electro  |             |          | x         |        |
| 0708 | Transformer 120V         | Electro  |             |          | x         |        |
| 0710 | Protective wall black V2 | ABS      |             |          |           |        |
| 0711 | Power pcb 230V V2        | Electro  |             |          | x         |        |
| 0711 | Power pcb 120V           | Electro  |             |          | x         |        |
| 0720 | Interference eliminator  | Electro  |             |          |           |        |

**(8) Fluid System**

RP13308\_08

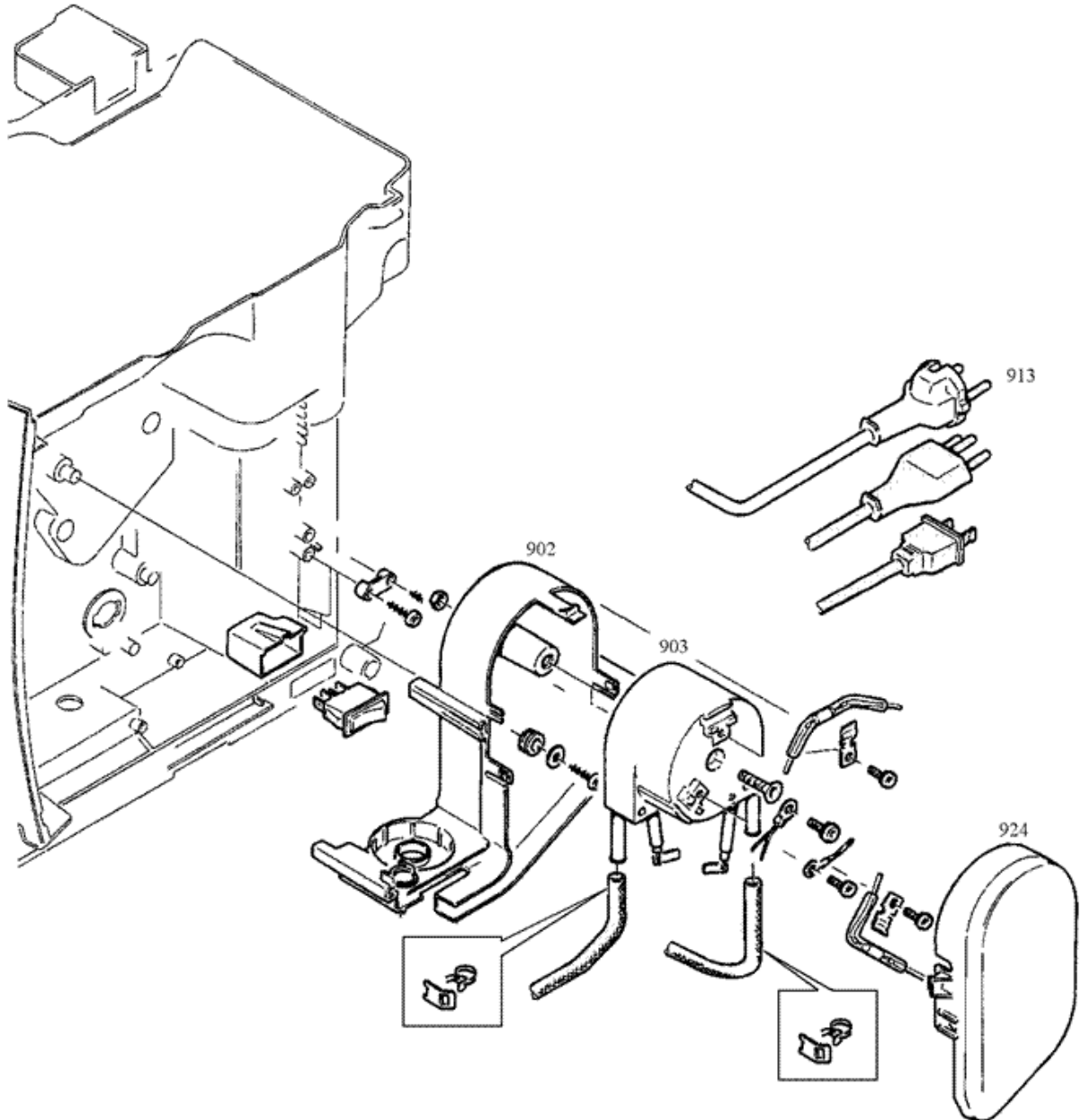




| Pos  | Designation                       | Material   | Disassembly | Disposal | Variation | Return |
|------|-----------------------------------|--|-------------|----------|-----------|--------|
| 0812 | Pump carrier black<br>70 Sh       | NBR  |             |          |           |        |
| 0815 | Pump 110-<br>120V/60Hz            | Electro  |             |          | x         |        |
| 0815 | Pump<br>230V/50Hz/60W             | Electro  |             |          | x         |        |
| 0816 | Absorber set                      | NBR / High-grade<br>steel                                    |             |          |           |        |
| 0823 | Magnet drainage<br>valve IEC 230V | Copper / Steel /<br>Plastic                                  |             |          | x         |        |
| 0823 | Magnet drainage<br>valve IEC 120V | Copper / Steel /<br>Plastic                                  |             |          | x         |        |
| 0824 | Holder                            | PP / TPE   |             |          |           |        |
| 0826 | Thermostat<br>anodizes            | AL / High-grade<br>steel                                     |             |          |           |        |
| 0837 | Soupape céramique                 | PBT / POM / PA /<br>High-grade steel /<br>Ceramic / Silicone |             |          |           |        |

**(9) Heater**

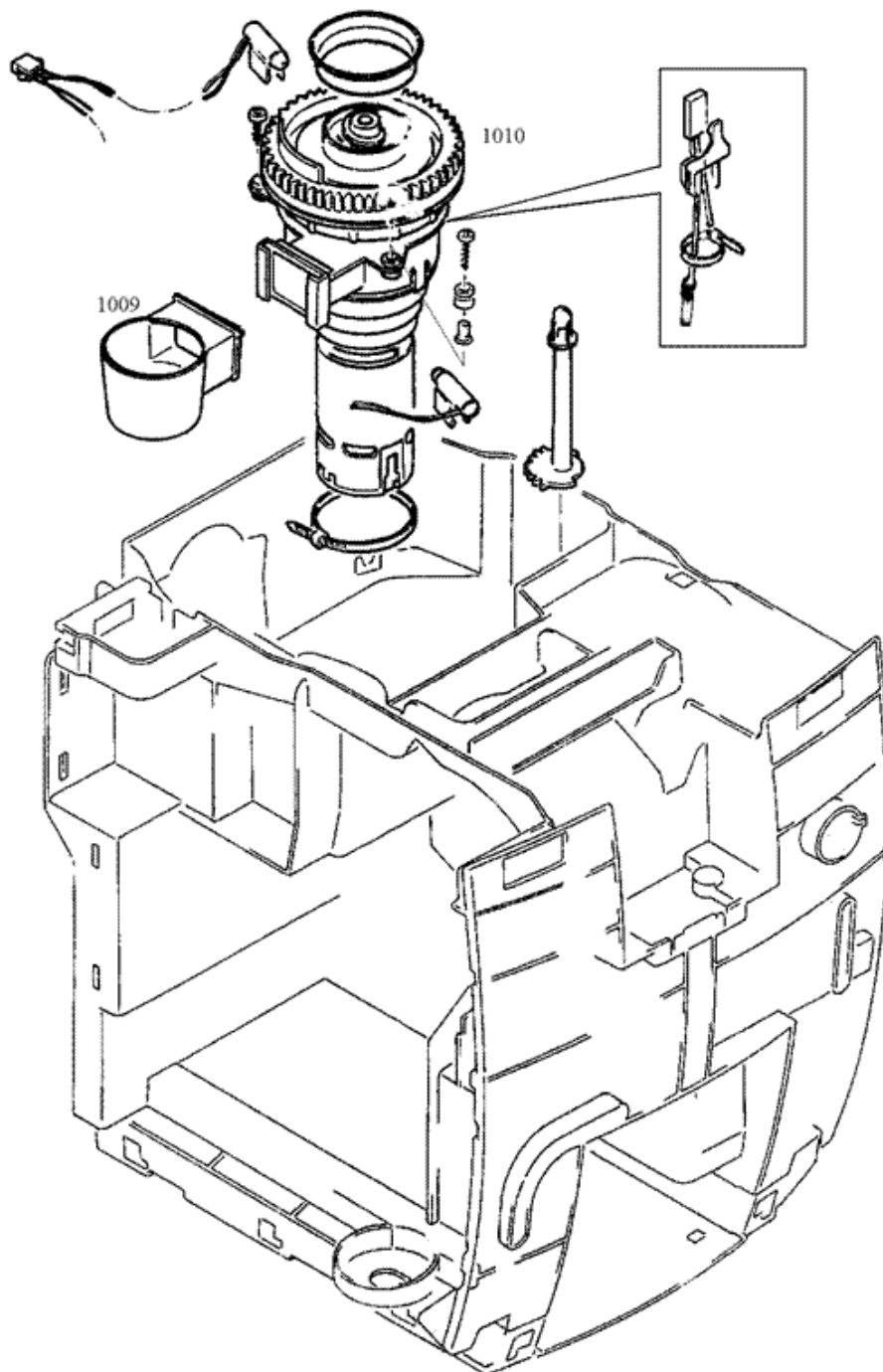
S13308\_09



| Pos  | Designation                 | Material     | Disassembly | Disposal | Variation | Return |
|------|-----------------------------|--------------|-------------|----------|-----------|--------|
| 0902 | Heating support thermoblock | PA           |             |          |           |        |
| 0903 | Thermoblock 2003 120V/1400W | AL / Steel   |             |          | x         |        |
| 0903 | Thermoblock 2003 230V/1400W | AL / Steel   |             |          | x         |        |
| 0913 | Incoming feeder sw RoHS     | Copper / Gum |             |          |           |        |
| 0924 | Lid TB2003                  | PA           |             |          |           |        |

(10) Grinder

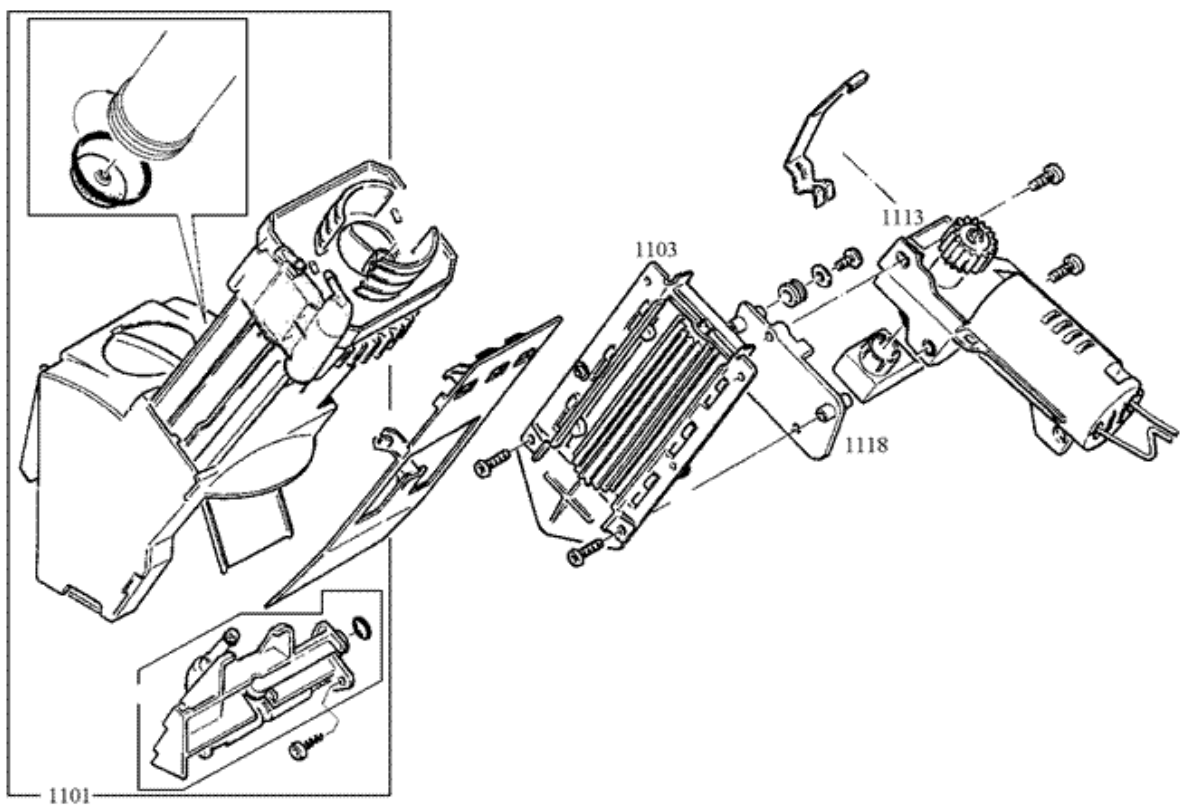
S13308\_10



| Pos  | Designation                  | Material   | Disassembly | Disposal | Variation | Return |
|------|------------------------------|--|-------------|----------|-----------|--------|
| 1009 | Funnel black                 | ABS  |             |          |           |        |
| 1010 | Grinder unit 230V<br>"choke" | Electro / POM / PA /<br>ABS / NBR / Steel /<br>Messing |             |          | x         |        |
| 1010 | Grinder unit Domel<br>F 120V | Electro / POM / PA /<br>ABS / NBR / Steel /<br>Messing |             |          | x         |        |

(11) Brew unit and drive

S13308\_11



| Pos  | Designation           | Material                                | Disassembly | Disposal | Variation | Return |
|------|-----------------------|---|-------------|----------|-----------|--------|
| 1101 | Brew unit assembled   | ABS / POM / PA / NBR / Steel / Silicone |             |          |           |        |
| 1103 | Guide assembled quiet | AL / POM                                |             |          |           |        |
| 1113 | Geared motor          | Electro / Messing / POM                 |             |          |           |        |
| 1118 | Plate                 | AL                                      |             |          |           |        |