

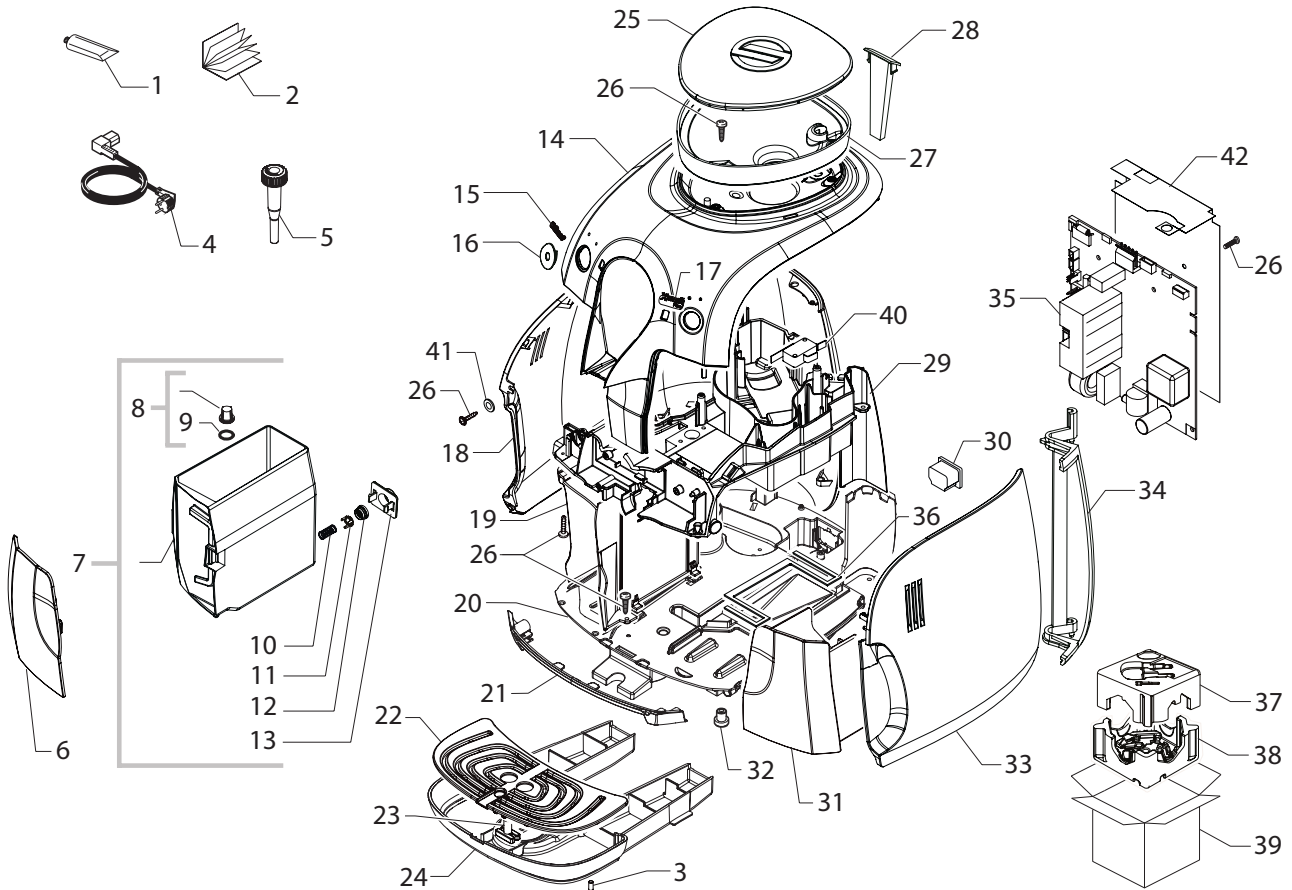
Saeco SUP033R
INTERNATIONAL GROUP



Cod.10002660-61-2738-10002780
Cod.10002781-2933-34-3020-21-22

| POS | CODICE | DESCRIZIONE | NOTE |
|-----|-----------|--|------|
| 01 | 11005044 | TUBETTO SAECO KLUBER TRIBOSTAR SIL 2 5GR | |
| 02 | 15000994 | LIBRETTO ISTRUZIONI P0057 | |
| | 15001790 | LIBRETTO ISTRUZIONI P0057 JAP | |
| 03 | 12001193 | PIEDINO AD.D=19,1 H=4,1 RBS-44-CR TRASP. | |
| | | FINO MATR.9008SR40105639 | |
| 04 | 183911050 | CAVO AL.SCHUKO 3X1 H05VV-F NERO L=1200MM | |
| | 183930650 | CAVO AL.CH 3X1 H05VV-F NER.L=1200MM | |
| | 183921950 | CAVO AL.USA SJT3 UL 16AWG NERO L=1200 | |
| | 11004245 | CAVO AL.BRA.H05VV-F 3X1,5 C/C.NER.L=1200 | |
| | 183980650 | CAVO AL.JAP.VCTF 3X2 NERO L=1200 MM | |
| | 183940650 | CAVO AL.AUSTRAL.3X1 H05VV-F NERO L=1200 | |
| 05 | 11003785 | CHIAVE REGOLAZIONE MACINATURA P0049 NER | |
| 06 | 11006331 | COPERT.ANT.CONT.ACQUA P0057 ROSSO | |
| | 11005756 | COPERT.ANT.CONT.ACQUA P0057 VERN.ARGEN | |
| 07 | 11006058 | AS.CONTENIT.ACQUA P0057 GRINAT. | |
| 08 | 224640200 | AS.FILTRO ESTERNO X CONTENITORI ACQUA | |
| 09 | 140328461 | OR METRICO 0190-10 IN EPDM | |
| 10 | 11003672 | MOLLA CILINDRICA X VALV.CONT.ACQUA P0049 | |
| 11 | 11003673 | INSERTO X VALV.CONTEN.ACQUA P0049 GRIGIO | |
| 12 | 11003671 | VALVOLA X CONTENIT.ACQUA P0049 TRASP. | |
| 13 | 11001298 | COPERCHIO X VALVOLA DUCKBILL P0049 NERO | |
| 14 | 11010606 | COPERT.SUP.CARC.P0057 ROS.SER. | |
| | 11006222 | COPERT.SUP.CARC.P0057 ARG.SER. | |
| 15 | 11011406 | PIAST.ADES.C/LOGO SAECO P0057 ARGENTO | |
| 16 | 11006066 | TAPPO COP.SUP.CARC.C/F.P0057 ROSSO | |
| | 11010038 | TAPPO COP.SUP.CARC.C/F.P0057 VER.ARG | |
| 17 | 11011407 | PIAST.ADES.C/LOGO XSMALL STEAM ARGENTO | |
| | 11011408 | PIAST.ADES.C/LOGO XSMALL PLUS ARGENTO | |
| 18 | 11006068 | COPERTURA LAT.SX P0057 BIANCO | |
| | 11004141 | COPERTURA LAT.SX P0057 VERN.MEZZANOTTE | |
| 19 | 11007082 | INSERTO FONDO CARCASSA P0057 NERO | |
| 20 | 11003741 | FONDO CARCASSA P0057 NERO | |
| | | FINO MATR.9008SR40105639 | |
| | 11012695 | FONDO CARCASSA V2 P0057 NERO | |
| | | DA MATR.9008SR40105640 | |
| 21 | 11006100 | INSERTO FRONTALE INF.P0057 ROSSO | |
| | 11004106 | INSERTO FRONTALE INF.P0057 VERN.ARGENTO | |
| 22 | 11005727 | GRIGLIA VASCA RECUP.ACQ.P0057 VERN.ARG. | |
| 23 | 11012039 | GALLEG.VASCA RECUP.ACQUA P0057 ROSSO | |
| 24 | 11003735 | VASCA RECUPERO ACQUA P0057 NERO | |
| | | FINO MATR.9008SR40105639 | |
| | 11012694 | VASCA RECUPERO ACQUA V2 P0057 NERO | |
| | | DA MATR.9008SR40105640 | |

| POS | CODE | DESCRIPTION | NOTE |
|-----|-----------|---|------|
| 01 | 11005044 | SAECO KLUBER TRIBOSTAR SIL 2 TUBE 5GR. | |
| 02 | 15000994 | MANUAL INSTRUCTIONS P0057 | |
| | 15001790 | MANUAL INSTRUCTIONS P0057 JAP | |
| 03 | 12001193 | TRANSP.ROUND ADHESIVE FOOT RBS-44-CR | |
| | | UP TO S/N.9008SR40105639 | |
| 04 | 183911050 | POWER CABLE SCHUKO BLACK L=1200 | |
| | 183930650 | POWER CABLE CH BLACK 3X1 H05VV-F L=1200 | |
| | 183921950 | POWER CABLE SJT3 USA BLACK UL L=1200 | |
| | 11004245 | BLACK POWER CABLE BRAZIL W/CONNECT.L=1200 | |
| | 183980650 | POWER CABLE JAPPON VCTF BLACK L=1200 MM | |
| | 183940650 | BLACK POWER CABLE AUSTRALIA L=1200 | |
| 05 | 11003785 | BLACK GRINDER ADJUSTMENT KEY P0049 | |
| 06 | 11006331 | RED WATER TANK FRONT COVER P0057 | |
| | 11005756 | SILVER WATER TANK FRONT COVER P0057 | |
| 07 | 11006058 | NATURAL/GREY WATER CONTAINER P0057 ASSY. | |
| 08 | 224640200 | EXTERNAL FILTER FOR WATER CONTAINER ASSY | |
| 09 | 140328461 | EPDM OR METRIC 0190-10 | |
| 10 | 11003672 | SPRING FOR WATER CONTAINER VALVE P0049 | |
| 11 | 11003673 | GREY WATER CONTAINER VALVE INSERT P0049 | |
| 12 | 11003671 | TRANSP.VALVE FOR WATER CONTAINER P0049 | |
| 13 | 11001298 | BLACK LID FOR DUCKBILL VALVE P0049 | |
| 14 | 11010606 | RED UPPER COVER CASING P0057 S/SCREEN | |
| | 11006222 | SILVER UPPER COVER CASING P0057 S/SCREEN | |
| 15 | 11011406 | ADHES.SILVER PLATE LOGO SAECO P0057 | |
| 16 | 11006066 | RED UPPER COVER CASING CAP P0057 | |
| | 11010038 | SILVER UPPER COVER CASING CAP P0057 | |
| 17 | 11011407 | ADHES.SILVER PLATE LOGO XSMALL STEAM | |
| | 11011408 | ADHES.SILVER PLATE LOGO XSMALL PLUS | |
| 18 | 11006068 | WHITE LEFT SIDE COVER P0057 | |
| | 11004141 | MEZZANOTTE LEFT SIDE COVER P0057 | |
| 19 | 11007082 | BLACK INSERT FOR CASING BOTTOM P0057 | |
| 20 | 11003741 | BLACK CASING BOTTOM P0057 | |
| | | UP TO S/N.9008SR40105639 | |
| | 11012695 | BLACK CASING BOTTOM V2 P0057 | |
| | | FROM S/N.9008SR40105640 | |
| 21 | 11006100 | RED LOWER FRONT INSERT P0057 | |
| | 11004106 | SILVER LOWER FRONT INSERT P0057 | |
| 22 | 11005727 | SILVER GRATE FOR DRIP TRAY P0057 | |
| 23 | 11012039 | RED FLOAT FOR DRIP TRAY P0057 | |
| 24 | 11003735 | BLACK DRIP TRAY P0057 | |
| | | UP TO S/N.9008SR40105639 | |
| | 11012694 | BLACK DRIP TRAY V2 P0057 | |
| | | FROM S/N.9008SR40105640 | |

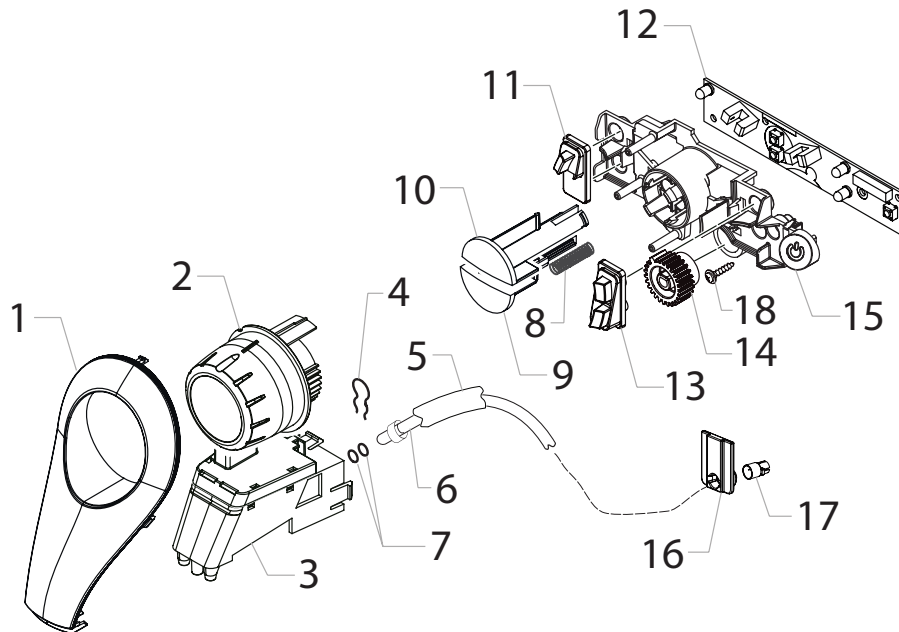


Saeco SUP033R
INTERNATIONAL GROUP



Cod.10002660-61-2738-10002780
Cod.10002781-2933-34-3020-21-22

| POS | CODICE | DESCRIZIONE | NOTE | POS | CODE | DESCRIPTION | NOTE |
|-----|-----------|---|-----------|-----|-----------|--|-----------|
| 25 | 11004123 | COPERC.CONT.CAFFE' GRANI P0057 GR/NAT. | | 25 | 11004123 | NATUR/GREY BEAN COFF. CONTAINER LID P0057 | |
| 26 | 12000450 | VITE TCBR 3,5X12 PLAST.ZN-N | | 26 | 12000450 | SCREW TCBR TORX 10 3,5X12 PLAST.ZN-N | |
| 27 | 11004125 | CONTENIT.CAFFE' GRANI P0057 GR/NAT. | | 27 | 11004125 | NATURAL/GREY BEAN CONTAINER P0057 | |
| 28 | 11006063 | PIASTRINA X INFRAROSSI P0057 TRASPARENTE | | 28 | 11006063 | TRANSPARENT INFRAREDS PLATE P0057 | |
| 29 | 11003755 | PIASTRA SUPPORTO MACINACAFFE' P0057 NERO | | 29 | 11003755 | BLACK COFFEE GRINDER PLATE P0057 | |
| 30 | 12000280 | PRESA A VASCHETTA C/SMUSSI EN 60320 C 13 | | 30 | 12000280 | CUP SOCKET EN 60320 C 13 | |
| 31 | 11006057 | CASSET.RACCOGLI FONDI P0057 ROSSO | | 31 | 11006057 | RED DUMP BOX P0057 | |
| | 11004105 | CASSET.RACCOGLI FONDI P0057 VERN.ARGEN. | | | 11004105 | SILVER DUMP BOX P0057 | |
| 32 | 147622800 | PIEDINO PIANETA CAFFE' TRASPARENTE | | 32 | 147622800 | TRANSPARENT LITTLE FOOT | |
| 33 | 11004130 | SPORTELLO P0057 BIANCO | | 33 | 11004130 | WHITE DOOR P0057 | |
| | 11004138 | SPORTELLO P0057 VERN.MEZZANOTTE | | | 11004138 | MEZZANOTTE DOOR P0057 | |
| 34 | 11004139 | CERNIERA SPORTELLO P0057 NERO | | 34 | 11004139 | BLACK HINGE FOR DOOR P0057 | |
| 35 | 11012246 | AS.CPU+SW P0057 XSMALL V1 LAC | 230V | 35 | 11012246 | CPU+SW AS.P0057 XSMALL V1 LAC | 230V |
| | 11011209 | FINO MATR.9008SR40139106 AS.CPU+SW P0057 XSMALL V1 | 230V | | 11011209 | UP TO S/N.9008SR40139106 CPU+SW P0057 XSMALL V1 ASSY. | 230V |
| | 11006345 | DA MATR.9008SR40139107 AS.CPU+SW P0057 XSMALL V1 | 100V-120V | | 11006345 | FROM S/N.9008SR40139107 CPU+SW P0057 XSMALL V1 ASSY. | 100V-120V |
| 36 | 11012102 | AERSTOP MONOADESIVO SP=1,6 MM P0057 | | 36 | 11012102 | ADHESIVE AERSTOP SP=1,6 MM P0057 | |
| 37 | 13000460 | INSERTO SUPERIORE SCATOLA P0057 PS-E | | 37 | 13000460 | PS-E UPPER INSERT FOR BOX P0057 | |
| 38 | 13000461 | INSERTO INFERIORE SCATOLA P0057 PS-E | | 38 | 13000461 | PS-E LOWER INSERT FOR BOX P0057 | |
| 39 | 13000462 | SCATOLA LITOGRAFATA P0057 | | 39 | 13000462 | DISPLAY BOX P0057 | |
| 40 | NE05.013 | MICROINTERRUTTORE | | 40 | NE05.013 | MICROSWITCH | |
| 41 | 128382002 | ROND.PIANA DI=3,7 DE=11 SP=0,8 ZINC | | 41 | 128382002 | FLAT WASH.DI=3,7 DE=11 SP=0,8 GALV. | |
| 42 | 11012301 | PROTEZIONE SCHEDA PWR/CPU P0057 NERO | | 42 | 11012301 | BLACK PWR/CPU BOARD PROTECTION P0057 | |

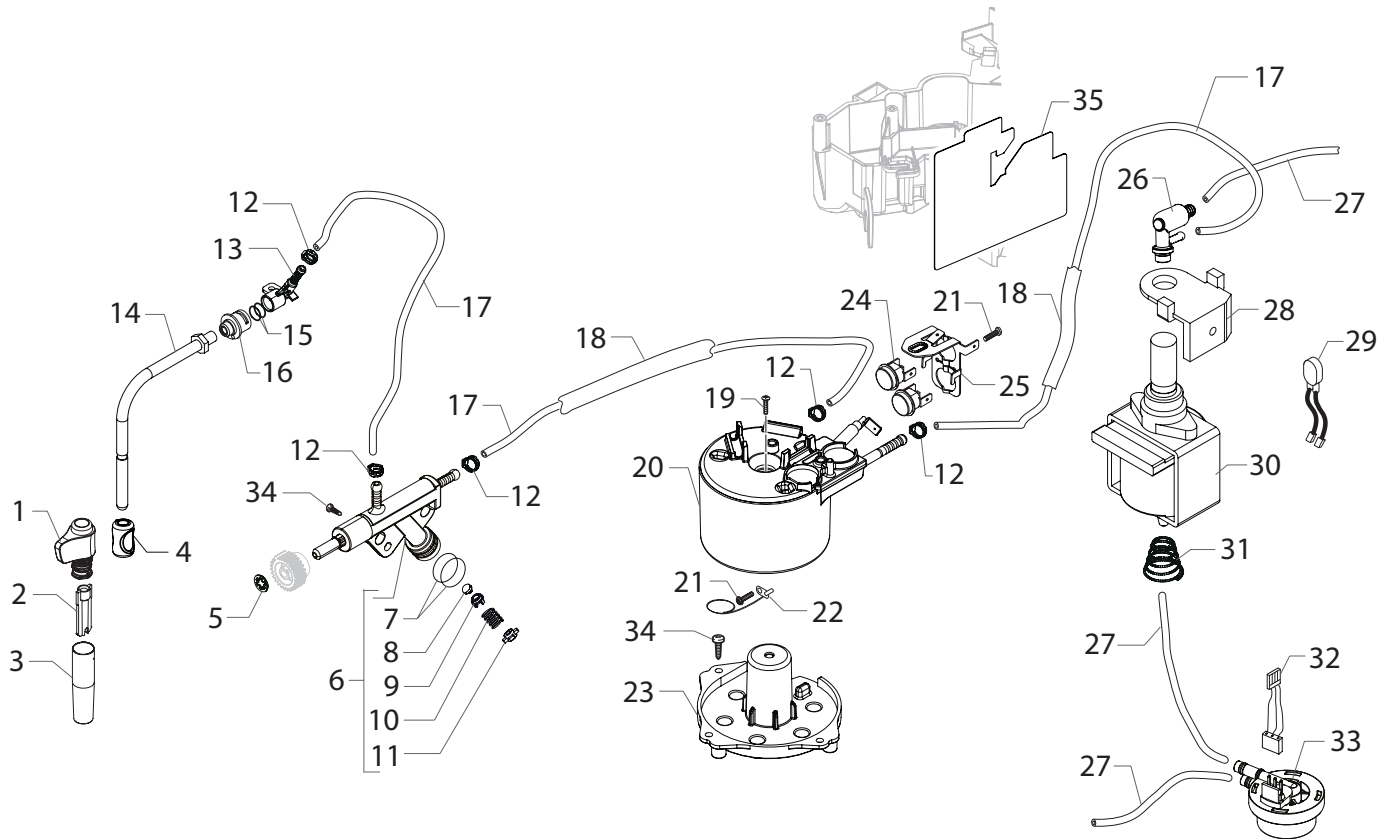


Saeco SUP033R
INTERNATIONAL GROUP



Cod.10002660-61-2738-10002780
Cod.10002781-2933-34-3020-21-22

| POS | CODICE | DESCRIZIONE | NOTE | POS | CODE | DESCRIPTION | NOTE |
|-----|-----------|--|------|-----|-----------|---------------------------------------|------|
| 01 | 11007081 | COPERT.POMELLO COMANDI P0057 NER.SER. | | 01 | 11007081 | BLACK CONTROL KNOB COVER P0057 S/SCR. | |
| 02 | 11012310 | POMELLO COMANDI P0057 NERO SER. | | 02 | 11012310 | BLACK CONTROL KNOB S/SCREEN P0057 | |
| 03 | 11011280 | AS.EROGATORE CAFFÈ' SALD.P0057 NERO | | 03 | 11011280 | BLACK COFFEE DISPENSER P0057 ASSY. | |
| 04 | 9011.144 | FORCELLA X TUBO D.4 | | 04 | 9011.144 | FORK FOR TUBE D.4 | |
| 05 | 149361200 | TUBO SILICONE NERO 7,5X9,3 | | 05 | 149361200 | BLACK SILICONE TUBE 7,5X9,3 IN ROLL | |
| 06 | 11004132 | AS.TUBO TEFLON 2X4 L=250MM+1BOC.DIST13MM | | 06 | 11004132 | TEFLON TUBE 2X4 L=250 MM ASSY | |
| 07 | 140328059 | OR 2015 IN SILICONE PTFE/FDA | | 07 | 140328059 | OR 2015 IN SILICONE PTFE/FDA | |
| 08 | 11008956 | MOLLA X SERRATURA SPORTELLO G0053 INOX | | 08 | 11008956 | SS SPRING FOR LOCK DOOR G0053 | |
| 09 | 11010035 | TASTO CAFFÈ' P0057 NER.SER.TAZZA GRANDE | | 09 | 11010035 | BLACK BUTTON BIG CUP COFFEE P0057 | |
| 10 | 11006064 | TASTO CAFFÈ' P0057 NER.SER.TAZZA PICCOLA | | 10 | 11006064 | BLACK BUTTON SMALL CUP COFFEE P0057 | |
| 11 | 11013011 | GUIDA LUCE SX P0057 PMMA TRASPARENTE | | 11 | 11013011 | TRANSPARENT LEFT GUIDE LIGHT P0057 | |
| 12 | 11004104 | SCHEDA KYB XSMALL P0057 | | 12 | 11004104 | KEYBOARD XSMALL P0057 | |
| 13 | 11013012 | GUIDA LUCE DX P0057 PMMA TRASPARENTE | | 13 | 11013012 | TRANSPARENT RIGHT GUIDE LIGHT P0057 | |
| 14 | 11004120 | INGRANAGGIO Z=26 VAPORE/ACQUA P0057 NER. | | 14 | 11004120 | BLACK STEAM/WATER GEAR Z=26 P0057 | |
| 15 | 11012385 | TASTIERA COMANDI V2 P0057/B-C VERN.ARG. | | 15 | 11012385 | SILVER TOUCH PANEL V2 P0057/B-C | |
| 16 | 11005100 | PIASTRINA X BOCCOLA TUBO TEFLON 4X2 P124 | | 16 | 11005100 | PLATE FOR 4X2 TEFLON TUBE P124 | |
| 17 | 11005101 | BOCCOLA X TUBO TEFLON 4X2 P124 | | 17 | 11005101 | BUSH FOR 4X2 TEFLON TUBE P124 | |
| 18 | 12000450 | VITE TCBR 3,5X12 PLAST.ZN-N | | 18 | 12000450 | SCREW TCBR 3,5X12 PLAST.ZN-N | |

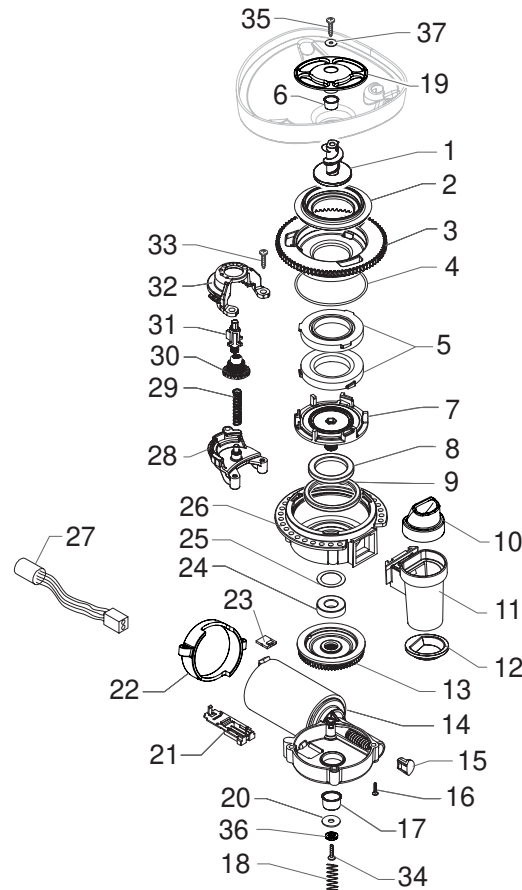


Saeco SUP033R
INTERNATIONAL GROUP



Cod.10002660-61-2738-10002780
Cod.10002781-2933-34-3020-21-22

| POS | CODICE | DESCRIZIONE | NOTE | POS | CODE | DESCRIPTION | NOTE |
|-----|-----------|--|--------------|-----|-----------|---|--------------|
| 01 | 11007194 | IMPUGNATURA TUBO VAPORE G0053 NERO | | 01 | 11007194 | BLACK STEAM TUBE HANDGRIP G0053 | |
| 02 | 11001620 | CANOTTO INT.PANNARELLO P0049 NERO | | 02 | 11001620 | BLACK PANNARELLO INTERNAL TUBE P0049 | |
| 03 | 11001769 | COPERTURA PANNARELLO P0049 NERO | | 03 | 11001769 | BLACK PANNARELLO COVER P0049 | |
| 04 | 11008991 | IMPUGNATURA TUBO VAPORE P604 NERO | | 04 | 11008991 | BLACK STEAM TUBE HANDGRIP P604 | |
| 05 | 128210600 | RONDELLA ELASTICA X ALBERI D=6 MM | | 05 | 128210600 | ELASTIC WASHER FOR SHAFT D=6MM | |
| 06 | 11012381 | RUB.REGOLATORE FLUSSO ACQ/VAP.V2 P0057 | | 06 | 11012381 | FLOW SELECTOR FAUCET V2 P0057 | |
| 07 | 12000893 | OR METRICO 0120-20 IN EPDM | | 07 | 12000893 | OR METRIC 0120-20 IN EPDM | |
| 08 | 11008104 | VALVOLA A FUNGO REGOLAT.DI FLUSSO P0057 | | 08 | 11008104 | MUSHROOM VALVE FOR FLOW SELECTOR P0057 | |
| 09 | 11008105 | SUPP.VALVA FUNGO REGOL.DI FLUSSO P0057 | | 09 | 11008105 | SUPPORT VALVE FOR FLOW SELECTOR P0057 | |
| 10 | 11008077 | MOLLA VALVOLA REGOLAT.DI FLUSSO P0057 | | 10 | 11008077 | SPRING FOR VALVE FLOW SELECTOR P0057 | |
| 11 | 11008106 | TAPPO VALVA FUNGO REGOL.DI FLUSSO P0057 | | 11 | 11008106 | VALVE CAP FOR FLOW SELECTOR P0057 | |
| 12 | 12000892 | FASCETTA OETIKER D=9,5 16700004 | | 12 | 12000892 | OETIKER CLAMP D=9,5 16700004 | |
| 13 | 11005757 | SUPPORTO TUBO VAPORE P0057 | | 13 | 11005757 | STEAM TUBE SUPPORT P0057 | |
| 14 | 11005758 | AS.TUBO VAPORE-DADO P0057 OT/CROM.TF | | 14 | 11005758 | TF/CHROMED STEAM TUBE P0057 ASSY. | |
| 15 | 140324461 | OR ORM 0060-20 IN TERMOIL | | 15 | 140324461 | OR ORM 0060-20 IN TERMOIL | |
| 16 | 11011127 | BOCCOLA TUBO VAPORE P0057 PA6 NERO | | 16 | 11011127 | BLACK PA6 BUSH FOR STEAM TUBE P0057 | |
| 17 | 16000380 | TUBO SIL.RETINATO 5X8,9 REHAU | IN MATASSA | 17 | 16000380 | 5X8,9 SILICONE TUBE | IN ROLL |
| 18 | 16000540 | TUBO SILICONE 10,5X12,3 TRASP. | IN MATASSA | 18 | 16000540 | TRANSPAR.10,5X12,3 SILICONE TUBE | IN ROLL |
| 19 | 129932502 | VITE TCEI 5X30 PLAST.ZN-B | | 19 | 129932502 | SCREW TCEI 5X30 PLAST.ZN-B | |
| 20 | 11011341 | AS.CALD.TUB.V4 | 230V-1300W | 20 | 11011341 | V4 TUB. BOILER ASSY. | 230V-1300W |
| | 11011342 | AS.CALD.TUB.V4 | 120V-1300W | | 11011342 | V4 TUB. BOILER ASSY. | 120V-1300W |
| | 11011346 | AS.CALD.TUB.V4 | 100V-1100W | | 11011346 | V4 TUB. BOILER ASSY. | 100V-1100W |
| 21 | 129573202 | VITE TCB M4X8 AUTOFORMANTE ZN-B | | 21 | 129573202 | SCREW TCB TORX 20 M4X8 AUTOFORMING ZN-B | |
| 22 | 190800100 | SENSORE TEMPERATURA NTC UL L=280MM | | 22 | 190800100 | TEMPERATURE SENSOR NTC UL L=280MM | |
| 23 | 11003752 | SUPPORTO CALDAIA P0057 NERO | | 23 | 11003752 | BLACK BOILER SUPPORT P0057 | |
| 24 | 189428600 | TERMOSTATO 175° 1NT-08L-5125 | | 24 | 189428600 | THERMOSTAT 175° 1NT-08L-5125 | |
| 25 | 11007907 | MOLLA X TERMOSTATI CALD.TUBOL.V5 ACC. | | 25 | 11007907 | THERMOSTATES SPRING FOR BOILER | |
| 26 | 11010166 | AS.VALV.DI SICUREZZA 16-18 BAR V2 P0049 | | 26 | 11010166 | SAFETY VALVE 16-18 BAR V2 P0049 ASSY. | |
| 27 | JS01.022 | TUBO SILICONE 5X10 60 SHORE | IN MATASSA | 27 | JS01.022 | SILICONE TUBE 5X10 60 SHORE | IN ROLL |
| 28 | 149205850 | SUPPORTO POMPA TYP ULKA C/SMUSSO NERO | | 28 | 149205850 | BLACK PUMP SUPPORT TYPE ULKA | |
| 29 | 11009747 | AS.CONNETTORE 2POLI POMPA P0057 UL | | 29 | 11009747 | 2POLES CONNECTOR PUMP P0057 UL | |
| 30 | 12000140 | POMPA ULKA EP5/S GW | 230V-50HZ | 30 | 12000140 | ULKA PUMP EP5/S GW | 230V-50HZ |
| | 12000142 | POMPA ULKA EAP5/S | 120V-60HZ | | 12000142 | ULKA PUMP EAP5/S | 120V-60HZ |
| | 12000130 | POMPA ULKA EP5/S GW | 100V-50/60HZ | | 12000130 | ULKA PUMP EP5/S GW | 100V-50/60HZ |
| | 12000167 | POMPA ULKA EP5/S GW | 240V-50HZ | | 12000167 | ULKA PUMP EP5/S GW | 240V-50HZ |
| 31 | 11004220 | MOLLA SUPPORTO POMPA P0057 | | 31 | 11004220 | PUMP SUPPORT SPRING P0057 | |
| 32 | 11005948 | AS.CONNETTORE 3 POLI TURBINA P0057 | | 32 | 11005948 | 3POLES CONNECTOR FLOWMETER P0057 | |
| 33 | NV99.099 | AS.TURBINA D=1,2 932-8521/00 | | 33 | NV99.099 | TURBINE D=1,2 932-8521/00 ASSY. | |
| 34 | 12000450 | VITE TCBR 3,5X12 PLAST.ZN-N | | 34 | 12000450 | SCREW TCBR TORX 10 3,5X12 PLAST.ZN-N | |
| 35 | 11012323 | PROT.ISOL.SP=0,55 SCHEDA PWR P0057 NOMEX | | 35 | 11012323 | NOMEX PROTECTION FOR POWER BOAR P0057 | |

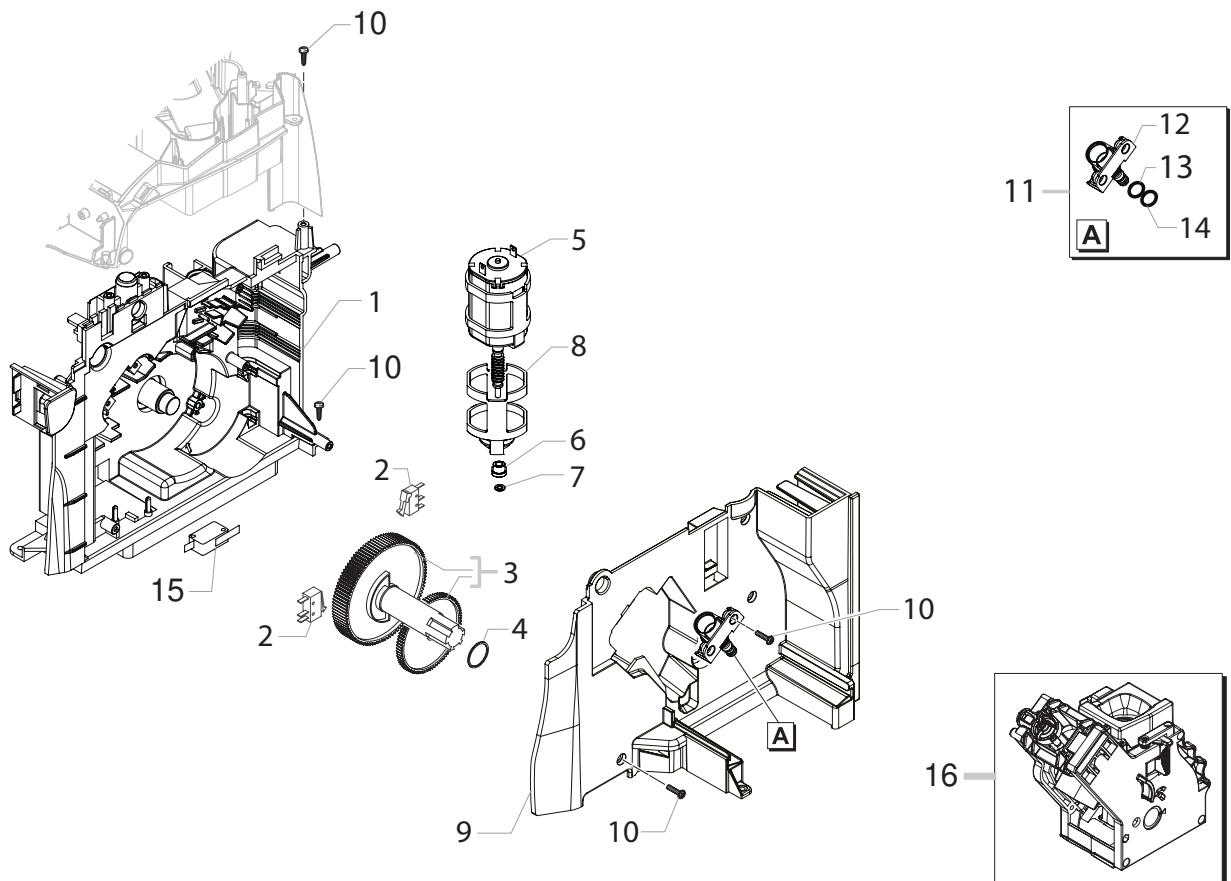


Saeco SUP033R
INTERNATIONAL GROUP



Cod.10002660-61-2738-10002780
Cod.10002781-2933-34-3020-21-22

| POS | CODICE | DESCRIZIONE | NOTE | POS | CODE | DESCRIPTION | NOTE |
|-----|-----------|--|------|-----|-----------|---|------|
| 01 | 11010031 | VITE DI INCREMENTO CORTA MC ZAMA/TEA | | 01 | 11010031 | TEA/ZAMA INCREASE SCREW GRINDER | |
| 02 | 145857062 | GUARNIZIONE MACINACAFFE' P119 SILIC. | | 02 | 145857062 | COFFEE GRINDER SEAL P119 | |
| 03 | 149198250 | SUPPORTO SUP.MACINA MACINACAFFE V3 NERO | | 03 | 149198250 | UPPER GRINDER SUPPORT COFFEEGRINDER | |
| 04 | 140328960 | OR METRICO 0530-15 IN NBR FDA | | 04 | 140328960 | NBR FDA OR METRIC 0530-15 | |
| 05 | 146520100 | MACINA 48X28 IN CERAMICA | | 05 | 146520100 | BAKED CLAY GRINDER 48X28 | |
| 06 | 11012466 | BOCC.PROT.DITO CONT.CAFFE.GRANI P0057 OTT | | 06 | 11012466 | BRASS BUSH BEAN CONT.FINGER PROT.P0057 | |
| 07 | 149198350 | SUPPORTO INF.MACINA MACINACAFFE V3 NERO | | 07 | 149198350 | LOWER GRINDER SUPPORT COFFEEGRINDER | |
| 08 | 123030300 | CUSCINETTO ASSIALE EKKO 342.35252 | | 08 | 123030300 | AXIAL BEARING EKKO 342.35252 | |
| 09 | 140360500 | ANELLO IN FELTRO DE=45,4 DI=39,4H=4 | | 09 | 140360500 | FELT RING 45,4X39,4X4 | |
| 10 | 11006226 | CONVOGLIAT.CONDENSE GRUP.CAF.P0057 NER | | 10 | 11006226 | BLACK CONDENSE CONVEYOR P0057 | |
| 11 | 11012564 | AS.CONVOGL.USCITA CAF.MACIN.V2 SMART1NER | | 11 | 11012564 | GROUND COFFEE OUTLET CONVEYOR V2 ASSY. | |
| 12 | 145854462 | GUARNIZ. INF. CONT. CAFFE' MACINATO SMART1 | | 12 | 145854462 | GROUND COFFEE CONT.SEAL LOWER SMART1 | |
| 13 | 226000300 | AS.ING.SX Z=38 X MOVIM.MACINA C/CALAMITA | | 13 | 226000300 | GEAR SX Z=38 FOR GRINDER MOTION ASSY. | |
| 14 | 11000513 | AS.MOTORE MC/V3.1 MOD=1,25 SX DOMEL | 230V | 14 | 11000513 | MOTOR COFFEEGRINDER/V3.1 ASSY | 230V |
| | 11000511 | AS.MOTORE MC/V3.1 MOD=1,25 SX | 120V | | 11000511 | MOTOR COFFEEGRINDER/V3.1 ASSY | 120V |
| | 11000512 | AS.MOTORE MC/V3.1 MOD=1,25 SX | 100V | | 11000512 | MOTOR COFFEEGRINDER/V3.1 ASSY | 100V |
| 15 | 149214800 | TAPPO CENTRAG.VITE S/FINE MOD=1,25 MC/V3 | | 15 | 149214800 | CAP FOR WORM SCREW MC/V3 CENTRING | |
| 16 | 129661702 | VITE TCB 3,5X30 PLAST.ZN-B | | 16 | 129661702 | SCREW TCB TORX 3,5X30 PLAST.ZN-B | |
| 17 | 11002873 | BOCCOLA ISOLANTE X MOTORE MC P124 NERA | | 17 | 11002873 | INSULATOR BUSH FOR GRINDER MOTOR P124 | |
| 18 | 11000597 | MOLLA DI SUPPORTO MOTORE MC P124 ACC. | | 18 | 11000597 | COFFEE GRINDER SUPPORT SPRING P124 | |
| 19 | 11012237 | PROTEZ.DITO CONT.CAFFE.GRANI P0057 NERO | | 19 | 11012237 | BLACK BEAN CONTAIN.FINGER PROTECT.P0057 | |
| 20 | 128381902 | RONDEL.PIANA DI=4,3 DE=14 SP=1,5 AC/ZINC | | 20 | 128381902 | GALVAN.FLAT WASH.DI=4,3 DE=14 SP=1,5 | |
| 21 | 149199050 | SUPPORTO SENSORE TERMICO X MOTORE MC | | 21 | 149199050 | SENSOR SUPPORT FOR COFF.GRIND.MOTOR | |
| 22 | 11000194 | SUPPORTO MOTORE MACINACAFFE' P124 NERO | | 22 | 11000194 | BLACK GRINDER MOTOR SUPPORT P124 | |
| 23 | 181540900 | BAS.ELET.C/SENSORE HAL 506 SF-K C/CONNET | | 23 | 181540900 | ELECTRONIC BOARD WITH SENSOR HAL506 | |
| 24 | 123030200 | CUSCINETTO RADIALE 61900.2RS1 | | 24 | 123030200 | RADIAL BEARING 61900.2RS1 | |
| 25 | 128381800 | RONDELLA DI BILANCIAMENTO 21,8X14X0,25 | | 25 | 128381800 | CRINKLE WASHER 21,8X15,8X0,2 | |
| 26 | 142905450 | CORPO SUP.C/USCITA CAF.MACINATO MC NERO | | 26 | 142905450 | UPPER BODY WITH COFFE.GROUND OUTLET | |
| 27 | 11008871 | AS.CONNET.3POLI SENSORE/MC S0053 UL | | 27 | 11008871 | 3 POLES CONNECTOR MC SENSOR S0053 UL | |
| 28 | 11002613 | SUPPOR.INF.INGR.REGOL.MACINAT.P124 NERO | | 28 | 11002613 | LOWER GEAR SUPPORT COFFEEGRINDER P124 | |
| 29 | 11002572 | MOLLA REGOLAZIONE MACINACAFFE' P124 ACC. | | 29 | 11002572 | GRINDER REGULATION SPRING P124 | |
| 30 | 11003784 | INGRAN.Z=14-24 REGOL.MACIN.CAF.P0049 NER | | 30 | 11003784 | COFFEE GRINDING ADJUSTMENT GEAR P0049 | |
| 31 | 11003446 | INSERTO X REGOLAZIONE MACINAT.P0049 NERO | | 31 | 11003446 | BLACK INSERT FOR COFFEE GRINDER P0049 | |
| 32 | 11002508 | SUPPOR.SUP.INGR.REGOL.MACINAT.P124 NERO | | 32 | 11002508 | UPPER GEAR SUPPORT COFFEEGRINDER P124 | |
| 33 | 129914002 | VITE TCB 3,5X16 PLAST.ZN-B | | 33 | 129914002 | SCREW TCB TORX 10 3,5X16 PLAST.ZN-B | |
| 34 | 129574802 | VITE TCB M4X30 ZN-B | | 34 | 129574802 | SCREW TCB TORX 20 M4X30 ZN-B | |
| 35 | U043.004 | VITE TCBC M4,0X16 UNI 7687 ZNP | | 35 | U043.004 | SCREW TCBC M4,0X16 UNI 7687 GALV. | |
| 36 | 128310402 | ROSETTA UNI 8842 A4 ZINCATA | | 36 | 128310402 | GALV.WASHER UNI 8842 A4 | |
| 37 | 128140302 | ROSETTA 4,3X9 UNI 6592 ZNP | | 37 | 128140302 | WASHER 4,3X9 UNI 6592 ZNP | |
| | 11006059 | AS.GEN.MOTORE MACINACAF.P0057 STD | 230V | | 11006059 | GENERAL MOTOR MC P0057 STD ASSY. | 230V |
| | 11012319 | AS.GEN.MOTORE MACINACAF.P0057 ITA | 230V | | 11012319 | GENERAL MOTOR MC P0057 ITA ASSY. | 230V |
| | 11013028 | AS.GEN.MOTORE MACINACAF.P0057 | 120V | | 11013028 | GENERAL MOTOR MC P0057 ASSY. | 120V |
| | 11013029 | AS.GEN.MOTORE MACINACAF.P0057 | 100V | | 11013029 | GENERAL MOTOR MC P0057 ASSY. | 100V |



Saeco SUP033R
INTERNATIONAL GROUP

CE Cod.10002660-61-2738-10002780
Cod.10002781-2933-34-3020-21-22

| POS | CODICE | DESCRIZIONE | NOTE | POS | CODE | DESCRIPTION | NOTE |
|-----|-----------|---|------|-----|-----------|---|------|
| 01 | 11006067 | AS.PIASTRA MONTAGGIO MOTORI.P0057 NERO | | 01 | 11006067 | BLACK RATIOMOTOR MOUNT. PLATE P0057 AS | |
| 02 | NE05.038 | MICROINTERRUTTORE | | 02 | NE05.038 | MICROSWITCH | |
| 03 | 20000900 | KIT RICAMBI INGRANAGGI MOTORIDUTTORE V2 | | 03 | 20000900 | SPARES KIT GEARS FOR RATIOMOTOR V2 | |
| 04 | 9161.132 | RONDELLA MYLAR X MOTORIDUTTORE | | 04 | 9161.132 | MYLAR WASHER FOR RATIOMOTOR | |
| 05 | 11003037 | AS.MOTORE X MOTORIDUTTORE C/CONDENS. | | 05 | 11003037 | MOTOR FOR RATIOMOTOR ASSY. | |
| 06 | 9121.046 | BOCCOLA SINTERIZZATA X MOTORE | | 06 | 9121.046 | SINTERED BUSH FOR MOTOR | |
| 07 | 148380200 | RONDELLA TELA BAKELIZZATA D=5,5 | | 07 | 148380200 | WASHER BAKELIZZATE D=5,5 | |
| 08 | 9121.044 | ANTIVIBRANTE X MOTORE | | 08 | 9121.044 | ANTIVIBRATION FOR MOTOR | |
| 09 | 11003754 | COPERTURA PIASTRA MONTAGGIO P0057 NER. | | 09 | 11003754 | BLACK COVER FOR MOUNTING PLATE P0057 | |
| 10 | 12000450 | VITE TCBR 3,5X12 PLAST.ZN-N | | 10 | 12000450 | SCREW TCBR 3,5X12 PLAST.ZN-N | |
| 11 | 11013531 | AS.PERNO RUB.REGOL.FLUSO.ACQ/VAP.V2 P0057 | | 11 | 11013531 | PIN FOR FLOW SELECTOR FAUCET P0057 ASSY. | |
| 12 | 11013530 | PERNO RUB.REGOL.FLUSO ACQ/VAP.V2 P0057 | | 12 | 11013530 | V2 PIN FOR FLOW SELECTOR FAUCET P0057 | |
| 13 | NM01.035 | OR ORM 0090-20 SILICONE | | 13 | NM01.035 | OR ORM 0090-20 SILICONE | |
| 14 | NM01.057 | OR ORM 0050-20 SILICONE | | 14 | NM01.057 | OR ORM 0050-20 SILICONE | |
| 15 | NE05.013 | MICROINTERRUTTORE | | 15 | NE05.013 | MICROSWITCH | |
| 16 | 11012382 | GRUPPO CAFFE' 8GR.5BAR S0053 NERO VEDI COD. ESPLOSO E90067 | | 16 | 11012382 | BLACK BREW UNIT 8GR.5BAR S0053 SEE COD. ESPLOSO E90067 | |