

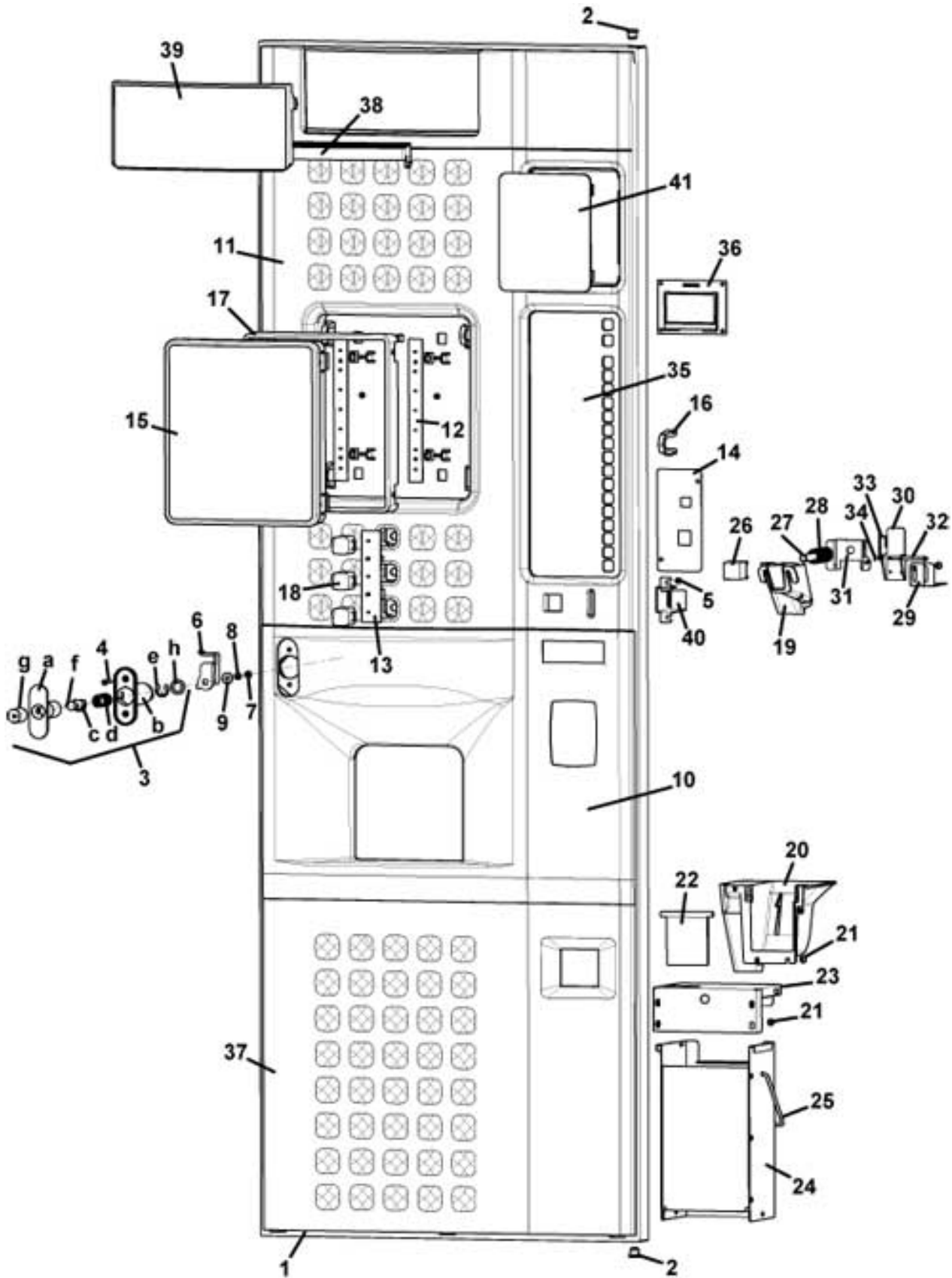
rheavendors 

vending machine

[SAGOMA EUROPA]

spare parts manual

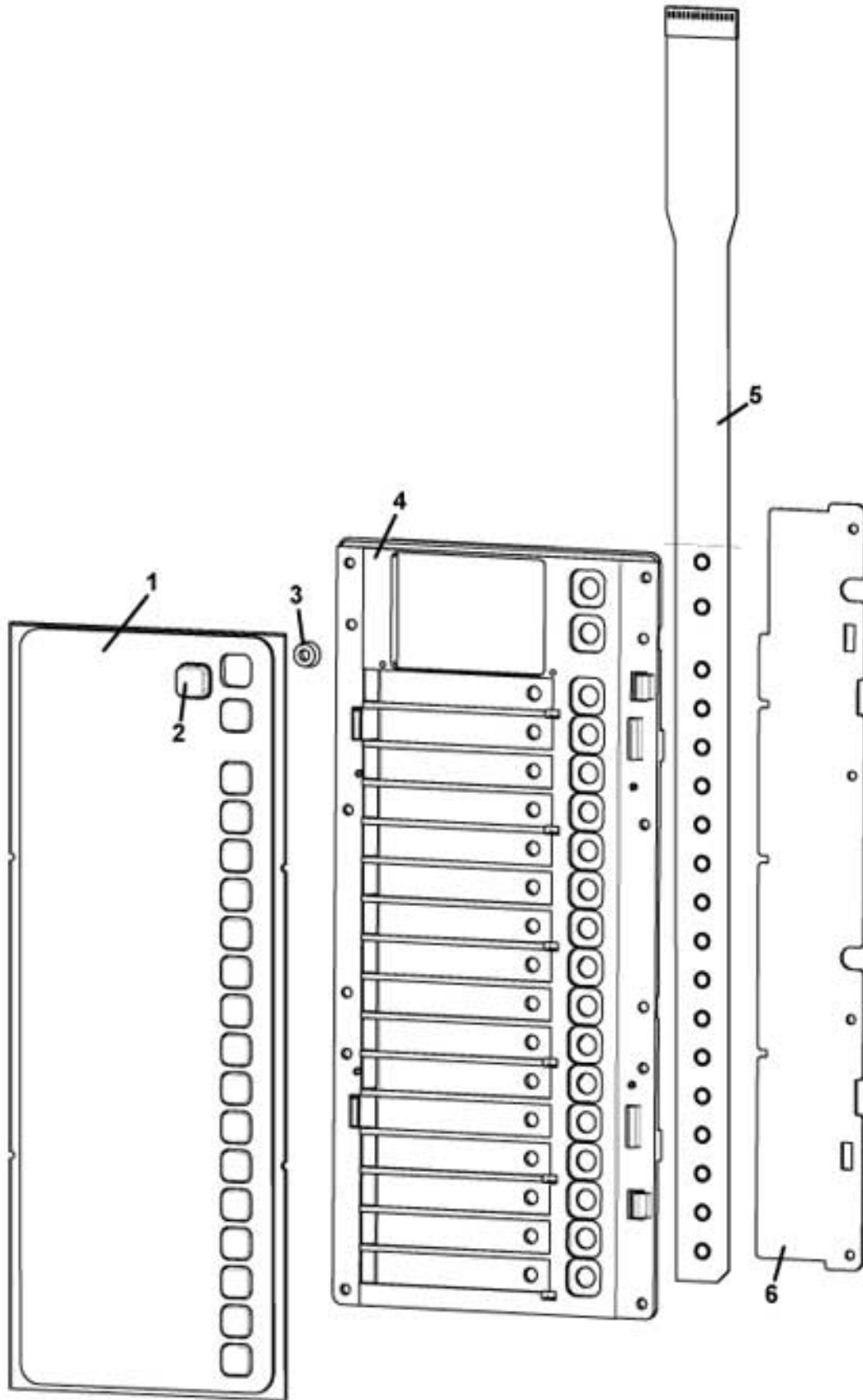
Pos.	Code	Description
1	0010014555	CABINET
	0010014555CK	CABINET DUST GREY RAL 7037
	0010014555CM	CABINET MERCEDES GREY RAL 9006
	0010014555DA	CABINET PEARL LIGHT GREY
	0010014555NA	CABINET BLACK
2	VIT0010501	SETTING PLATT ES.M 8 x 22 D.30 BLACK
3	GUA0010502	MEMBRANE CORE HITCH Ø 21
4	0270011605	DOOR SWITCH SUPPORT
5	ELE0002009	SAFETY SWITCH
6	0270011109CL	SERVICE KEY ASSEMBLY
7	VIT0002401	TAPPING SCREW TCB 3.5 x 9.5
8	0070012111	WATER INLET VALVE SUPPORT
	0070012111CK	WATER INLET VALVE SUPPORT DUST GREY RAL 7037
9	0110001039	24 DC INLET VALVE W/SAFETY DEV.
10	GUA0000021	OR 130
11	0010019223	3/8 GAS M WATER INLET VALVE CONNECTION
12	VIT0002009	TAPPING SCREW T.C.B. 3,5 x 6,5
13	0010014585	BOTTOM PROTECTION
	0010014585NA	BOTTOM PROTECTION BLACK
14	CON0000201	RECTANGULAR BIN
15	0010014574	UPPER HINGE
16	VIT0005802	TTQST SCREW M 6 x 20
17	VIT0004505	NUT M6
18	VIT0003303	WASHER D.6,5 x 18 x 1,5
19	VIT0003453	6.4x12.5x1.6 FLAT WASHER
20	0010018071	DISPENSER SECURING BRACKET
21	VIT0005702	M6 THREADED INSERT
22	VIT0000236	E.H SCREW M 6 x 11 + FR
23	0010014575	FEET FRONT PROTECTION
	0010014575CK	FEET FRONT PROTECTION DUST GREY RAL 7037
	0010014575CM	FEET FRONT PROTECTION MERCEDES GREY RAL 9006
	0010014575DA	FEET FRONT PROTECTION PEARL LIGHT GREY
	0010014575NA	FEET FRONT PROTECTION BLACK
24	0020018061	BUTTON PLUG
25	0010014238	FEET PROTECTION



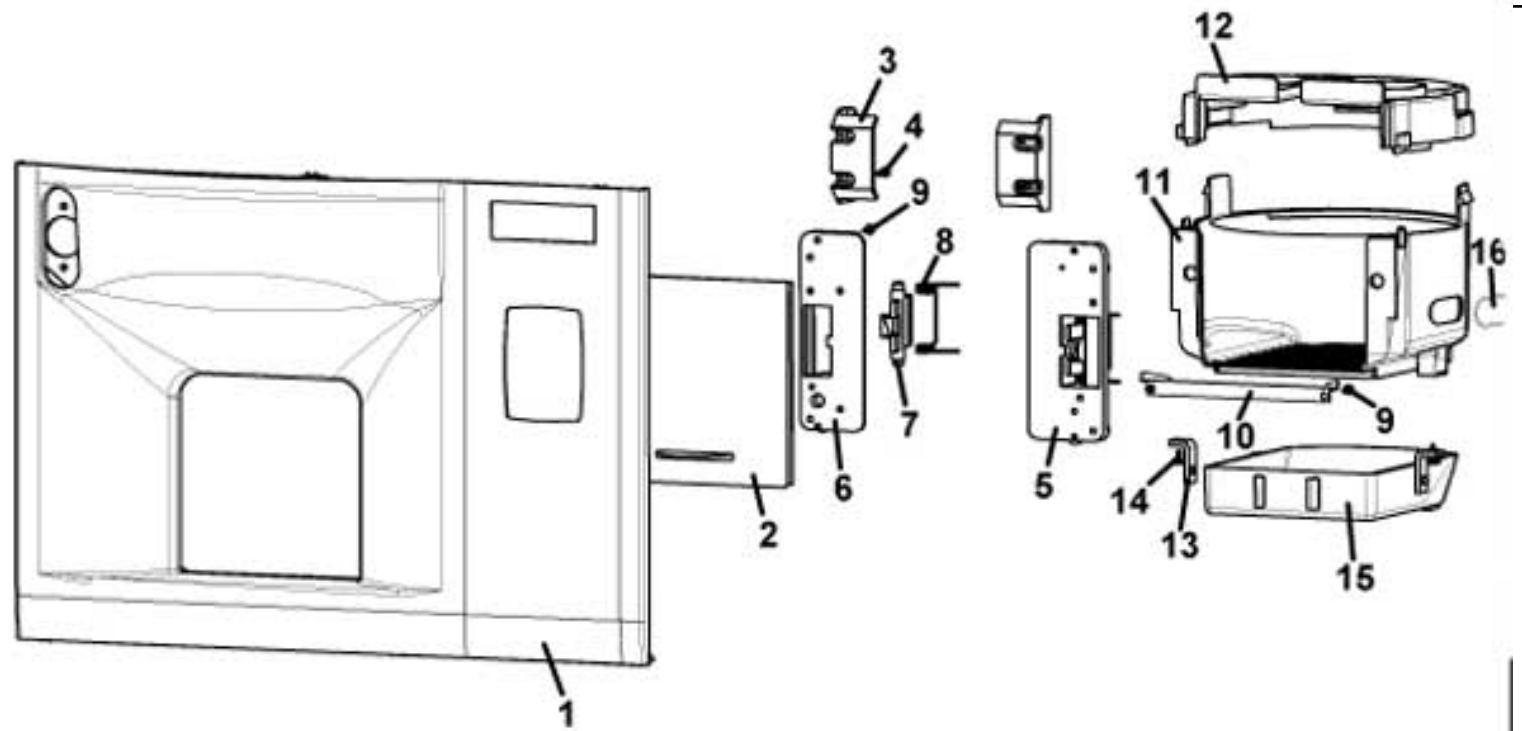
Pos.	Code	Description
1	0020038205	DOOR ASSEMBLY
	0020038205CM	DOOR ASSEMBLY MERCEDES GREY RAL 9006
	0020038205DA	DOOR ASSEMBLY PEARL LIGHT GREY
2	0020034156	DOOR HINGE BUSH
3	1150003337	LOCK ASSEMBLY
3 1	1150003337AE	LOCK ASSEMBLY PURE WHITE RAL 9010
	1150003337CF	LOCK ASSEMBLY ANTHRACITE GREY RAL 7016
	1150003337CG	LOCK ASSEMBLY LIGHT GREY RAL 7035
	1150003337CH	LOCK ASSEMBLY AGATA GREY RAL 7038
	1150003337CI	LOCK ASSEMBLY TRAFFIC GREY RAL 7042
	1150003337CK	LOCK ASSEMBLY DUST GREY RAL 7037
	1150003337CM	LOCK ASSEMBLY MERCEDES GREY RAL 9006
	1150003337CN	LOCK ASSEMBLY SILICIOUS GRAY RAL 7032
	1150003337CT	LOCK ASSEMBLY OPAQUE MERCEDES GREY RAL 9006
	1150003337DA	LOCK ASSEMBLY PEARL LIGHT GREY
	1150003337DE	LOCK ASSEMBLY SULPHUR YELLOW RAL 1016
	1150003337KE	LOCK ASSEMBLY FIRE RED RAL 3000
	1150003337NA	LOCK ASSEMBLY BLACK
3 1a	1150003336AE	LOCK SLEEVE PURE WHITE RAL 9010
	1150003336CF	LOCK SLEEVE ANTHRACITE GREY RAL 7016
	1150003336CG	LOCK SLEEVE LIGHT GREY RAL 7035
	1150003336CH	LOCK SLEEVE AGATA GREY RAL 7038
	1150003336CI	LOCK SLEEVE TRAFFIC GREY RAL 7042
	1150003336CK	LOCK SLEEVE DUST GREY RAL 7037
	1150003336CM	LOCK SLEEVE MERCEDES GREY RAL 9006
	1150003336CN	LOCK SLEEVE SILICIOUS GRAY RAL 7032
	1150003336CT	LOCK SLEEVE OPAQUE MERCEDES GREY RAL 9006
	1150003336DA	LOCK SLEEVE PEARL LIGHT GREY
	1150003336DE	LOCK SLEEVE SULPHUR YELLOW RAL 1016
	1150003336KE	LOCK SLEEVE FIRE RED RAL 3000
	1150003336NA	LOCK SLEEVE BLACK
3 1b	1150002112	LOCK BODY
	1150002112AE	LOCK BODY PURE WHITE RAL 9010
	1150002112CF	LOCK BODY ANTHRACITE GREY RAL 7016
	1150002112CG	LOCK BODY LIGHT GREY RAL 7035
	1150002112CH	LOCK BODY AGATA GREY RAL 7038
	1150002112CI	LOCK BODY TRAFFIC GREY RAL 7042
	1150002112CK	LOCK BODY DUST GREY RAL 7037
	1150002112CM	LOCK BODY MERCEDES GREY RAL 9006
	1150002112CN	LOCK BODY SILICIOUS GRAY RAL 7032
	1150002112CT	LOCK BODY OPAQUE MERCEDES GREY RAL 90
	1150002112DA	LOCK BODY PEARL LIGHT GREY
	1150002112DE	LOCK BODY QUARTZ GREY RAL 7039
	1150002112DC	LOCK BODY ALUMINIUM GREY
	1150002112DD	LOCK BODY BLUE GREY
	1150002112GF	LOCK BODY SULPHUR YELLOW RAL 1016
	1150002112KE	LOCK BODY FIRE RED RAL 3000
	1150002112NA	LOCK BODY BLACK
3 1c	1150002111	LOCK PIN
3 1d	1150002113	SPRING
3 1e	VIT0006508	D 10 RADIAL STOP RING
3 1f	VIT0006503	4 x 18 CYLINDRICAL PIN
3 1g	SER0000003	G 5 TUBULAR LOCK
3 1h	1150003054	SPACER
3 2	1150003342	LOCK ASSEMBLY
	1150003342CF	LOCK ASSEMBLY ANTHRACITE GRAY RAL 7016
	1150003342CH	LOCK ASSEMBLY AGATA GRAY RAL 7038
	1150003342CM	LOCK ASSEMBLY MERCEDES GREY RAL 9006
	1150003342CT	LOCK ASSEMBLY OPAQUE MERCEDES GREY RAL 9006
	1150003342NA	LOCK ASSEMBLY BLACK
3 2a	1150003336AE	LOCK SLEEVE PURE WHITE RAL 9010
	1150003336CF	LOCK SLEEVE ANTHRACITE GREY RAL 7016
	1150003336CG	LOCK SLEEVE LIGHT GREY RAL 7035
	1150003336CH	LOCK SLEEVE AGATA GREY RAL 7038
	1150003336CI	LOCK SLEEVE TRAFFIC GREY RAL 7042
	1150003336CK	LOCK SLEEVE DUST GREY RAL 7037
	1150003336CM	LOCK SLEEVE MERCEDES GREY RAL 9006
	1150003336CN	LOCK SLEEVE SILICIOUS GRAY RAL 7032
	1150003336CT	LOCK SLEEVE OPAQUE MERCEDES GREY RAL 9006
	1150003336DA	LOCK SLEEVE PEARL LIGHT GREY
	1150003336DE	LOCK SLEEVE SULPHUR YELLOW RAL 1016
	1150003336KE	LOCK SLEEVE FIRE RED RAL 3000
	1150003336NA	LOCK SLEEVE BLACK
3 2b	1150002112	LOCK BODY
	1150002112AE	LOCK BODY PURE WHITE RAL 9010
	1150002112CF	LOCK BODY ANTHRACITE GREY RAL 7016
	1150002112CG	LOCK BODY LIGHT GREY RAL 7035
	1150002112CH	LOCK BODY AGATA GREY RAL 7038
	1150002112CI	LOCK BODY TRAFFIC GREY RAL 7042
	1150002112CK	LOCK BODY DUST GREY RAL 7037
	1150002112CM	LOCK BODY MERCEDES GREY RAL 9006
	1150002112CN	LOCK BODY SILICIOUS GRAY RAL 7032
	1150002112CT	LOCK BODY OPAQUE MERCEDES GREY RAL 90
	1150002112DA	LOCK BODY PEARL LIGHT GREY
	1150002112DE	LOCK BODY QUARTZ GREY RAL 7039
	1150002112DC	LOCK BODY ALUMINIUM GREY
	1150002112DD	LOCK BODY BLUE GREY
	1150002112GF	LOCK BODY SULPHUR YELLOW RAL 1016
	1150002112KE	LOCK BODY FIRE RED RAL 3000
	1150002112NA	LOCK BODY BLACK
3 2c	1150002111	LOCK PIN
3 2d	1150002113	SPRING
3 2e	VIT0006508	D 10 RADIAL STOP RING
3 2f	VIT0006503	4 x 18 CYLINDRICAL PIN
3 2g	SER0000002	LOCK
3 2h	1150003054	SPACER
4	VIT0000127	M 4x35 TSP SCREW
5	VIT0004815	M 4 SELF LOCKING NUT
6	0020038128	LOCK HOOK
7	VIT0000208	M 5x10 H.H. SCREW
8	VIT00003104	WASHER tab D. 5.1
9	VIT00003302	5.5x12x1.5 FLAT WASHER
10a		See table 2 TURRETS CUPS STATION
10b		See table 1 TURRET CUPS STATION
11	0020038221	KEYBOARD FRAME
	0020038221CI	KEYBOARD FRAME TRAFFIC GREY RAL 7042
	0020038221DA	KEYBOARD FRAME PEARL LIGHT GREY
12	SCH0007820	7 LED BOARD
13	SCH0007840	SUPPLY PHASES 3 LED BOARD
14	0020038233	SUPPLY PHASES 3 LED BOARD SUPPORT
15	0020038213	PHOTO GLASS
16	0020042175	GLASS PIN STOPPER
17	0020038214	TRASPARENT STOPPED PHOTO FRAME
	0020038214IE	TRASPARENT STOPPED PHOTO FRAME TRASPARENT ORANGE
18	0020038216	TRASPARENT GLASS SUPPLY DRINK LED
	0020038216IE	TRASPARENT GLASS SUPPLY DRINK LED TRASPARENT ORANGE
19	0020042051	COIN INTRODUCTION CHUTE
	0020042051CY	COIN INTRODUCTION CHUTE TECHNIC GREY RAL 9018
20	0020042014	COIN ACCEPTANCE/RETURN CHUTE
	0020042014CY	COIN ACCEPTANCE/RETURN CHUTE TECHNIC GREY RAL 9018
21	VIT0002401	TAPPING SCREW TCB 3.5 x 9.5
22	0020038144	COIN RETURN HATCH
	0020038144CI	COIN RETURN HATCH TRAFFIC GREY RAL 7042
	0020038144CK	COIN RETURN HATCH DUST GREY RAL 7037
	0020038144CM	COIN RETURN HATCH MERCEDES GREY RAL 9006
	0020038144CT	COIN RETURN HATCH OPAQUE MERCEDES GREY RAL 90
	0020038144XC	COIN RETURN HATCH CHROMATE
23	0020038145	COIN BOX FIXING COVER
24	0030006255	COIN BOX
25	0030006258	COIN BOX HOOK
26	4050010072	COIN RETURN BUTTON
	4050010072AB	COIN RETURN BUTTON WHITE RAL 9016
	4050010072AD	COIN RETURN BUTTON BS WHITE 5118
	4050010072CF	COIN RETURN BUTTON ANTHRACITE GRAY RAL 7016
	4050010072CI	COIN RETURN BUTTON TRAFFIC GREY RAL 7042
	4050010072CK	COIN RETURN BUTTON DUST GREY RAL 7037
	4050010072CM	COIN RETURN BUTTON MERCEDES GREY RAL 9006
	4050010072CP	COIN RETURN BUTTON WINDOW GREY RAL 7040
	4050010072CA	COIN RETURN BUTTON ACID YELLOW 153163
	4050010072CD	COIN RETURN BUTTON MELON YELLOW RAL 7017
	4050010072GD	COIN RETURN BUTTON GRAPES YELLOW PANTONE 810C
	4050010072KA	COIN RETURN BUTTON SIGNAL RED RAL 3020
	4050010072KC	COIN RETURN BUTTON PANTHON 208C RED
	4050010072NA	COIN RETURN BUTTON BLACK
	4050010072XC	COIN RETURN BUTTON CHROMATE
27	0020034023	COIN RETURN PIN

Pos.	Code	Description
28	4050010074	COIN RETURN BUTTON SPRING
29	0020038155	COIN RETURN LOWER BRACKET
30	0020042057	COIN RETURN UPPER BRACKET
31	0020038129	COIN RETURN BUTTON CONNECTION
32	0020034187	PIN
33	0020005013	COIN RETURN LEVER SPRING
34	VIT0007005	1.5x40 PIN
35		See table PULSANTIERA
36/a	SCH0008380	DISPLAY FOR THE VERSION WITH 2 TURRETS
36/b	SCH0007080	3 COLOURS 128 x 64 GRAPHIC DISPLAY FOR THE VERSION WITH 1 TURRET
37	0020038212	COIN RETURN HATCH FRAME
	0020038212CI	COIN RETURN HATCH FRAME FOR THE VERSION WITH 1 TURRET TRAFFIC GREY RAL 7042
	0020038212DA	COIN RETURN HATCH FRAME FOR THE VERSION WITH 1 TURRET PEARL LIGHT GREY
38	0020038211	TRASPARENT UPPER LED GLASS
	0020038211IE	TRASPARENT UPPER LED GLASS FOR THE VERSION WITH 1 TURRET TRASPARENT ORANGE
39	0020038227	UPPER GLASS
40	0020038260	BOX PROTECTION
41	0020038219	PAYMENT SYSTEM CLOSING
	0020038219CI	PAYMENT SYSTEM CLOSING FOR THE VERSION WITH 1 TURRET TRAFFIC GREY RAL 7042
	0020038219DA	PAYMENT SYSTEM CLOSING FOR THE VERSION WITH 1 TURRET PEARL LIGHT GREY

Pos.	Code	Description
1	0020038205	DOOR ASSEMBLY
	0020038205CM	DOOR ASSEMBLY MERCEDES GREY RAL 9006
	0020038205DA	DOOR ASSEMBLY PEARL LIGHT GREY
2	0020034172	DOOR STOP ROD
3	0020034173	PIN FOR DOOR STOP ROD
4	VIT0007102	BENZING-QUICKLOCK
5	0270011485	SWITCH OPERATING SQUARE
6	VIT0002401	TAPPING SCREW TCB 3.5 x 9.5
7	0020038125	COIN BOX SUPPORT
8	4060010126	PLASTIC COIN DRAWER BOX
9	0020038124	PROGRAM KEYBOARD
10/a	SCH0007900	CPU BOARD FOR THE VERSION WITH 2 TURRETS
10/b	SCH0007040	RS485-1 CPU FOR THE VERSION WITH 1 TURRET
11	ELE0062003	BOARD SUPPORT
12	0020038255	CPU SUPPORT
13	0020038142	PAYMENT SYSTEM PLATE
14	0020038134	COIN BOX PROTECTION
15	0020034823	HANDLE
16	0020038257	COIN RETURN BOX PROTECTION
17	ELE0000103	MAGNETIC CLICK-LOCK
18	0020038419	COIN BOX REINFORCE FOR THE VERSION WITH 2 TURRETS
19	VIT0002009	TAPPING SCREW T.C.B. 3,5 x 6,5
20	0020042124	UPPER HINGE TURRET SUPPORT
21/a	0020038404	UPPER HINGE 2 TURRETS FOR THE VERSION WITH 2 TURRETS
21/b	0020042126	4C UPPER HINGE TURRET FOR THE VERSION WITH 1 TURRET
22	0020038167	UPPER HINGE TURRET SPACER
23	0020034173	PIN FOR DOOR STOP ROD
24	VIT0007005	1.5x40 PIN
25	0020018061	BUTTON PLUG
26	0020038232	UPPER GLASS LED BOARD SUPPORT
27	SCH0007820	7 LED BOARD

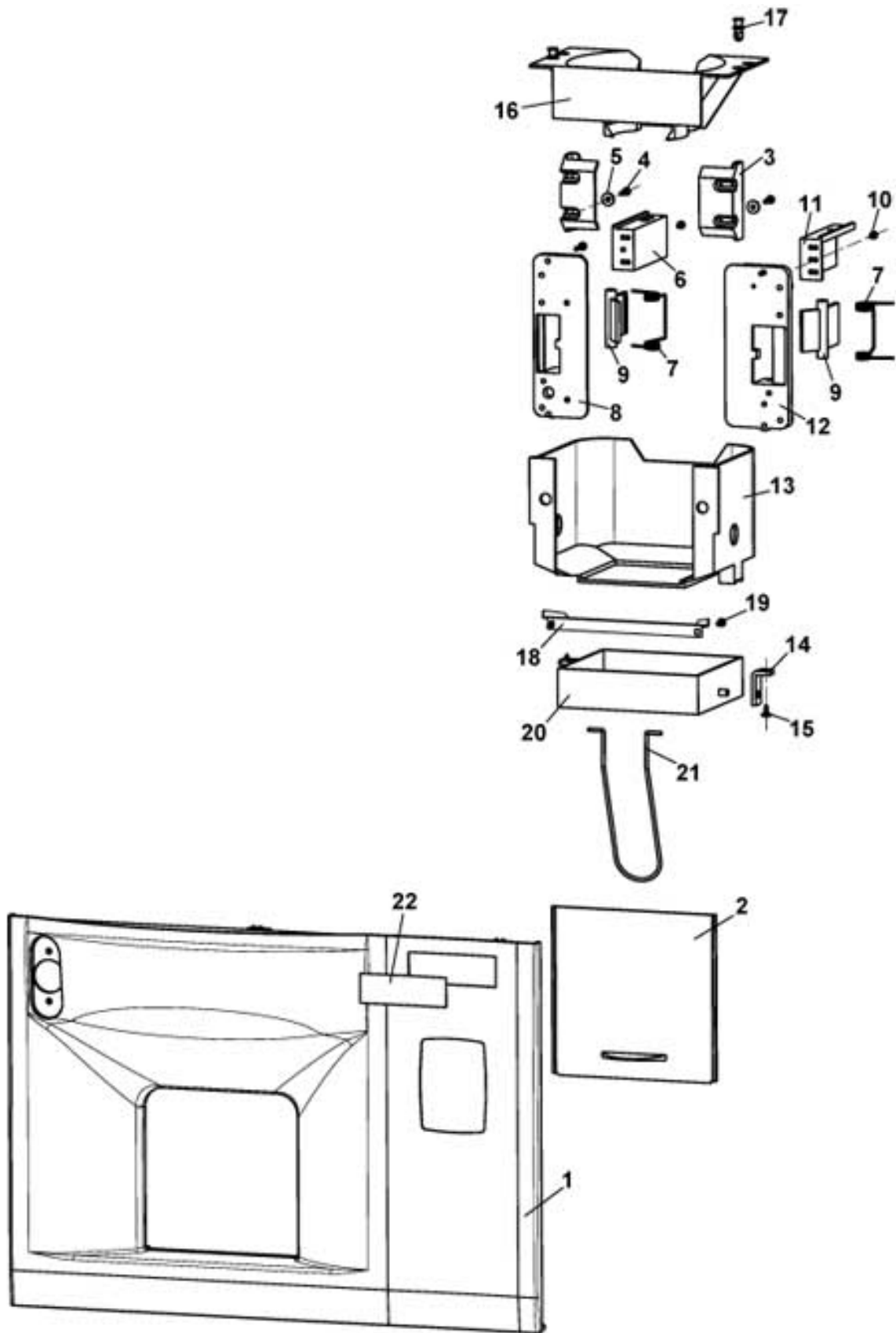


Pos.	Code	Description
1	0020038252	16 BUTTONS GLASS
	0020038252DA	16 BUTTONS GLASS PEARL LIGHT GREY
	0020038252NA	16 BUTTONS GLASS BLACK
2	0020038254	SELECTION BUTTON
	0020038254CF	SELECTION BUTTON ANTHRACITE GREY RAL 7016
	0020038254CI	SELECTION BUTTON TRAFFIC GREY RAL 7042
	0020038254CK	SELECTION BUTTON DUST GREY RAL 7037
	0020038254IC	SELECTION BUTTON ORANGE RAL 2011
	0020038254KA	SELECTION BUTTON SIGNAL RED RAL 3020
	0020038254NA	SELECTION BUTTON BLACK
3	0020034311	FEELER SPRING
4	0020038253	WHITE 16S BUTTONS CHECKING PANEL
5	0020038256	18 BUTTONS KEYBOARD
6	0020038251	KEYBOARD SUPPORT
100	0020038252DAR	ASSEMBLED BUTTONS GLASS 16S 9022
101	0020038252NAR	ASSEMBLED BUTTONS GLASS 16S BLACK



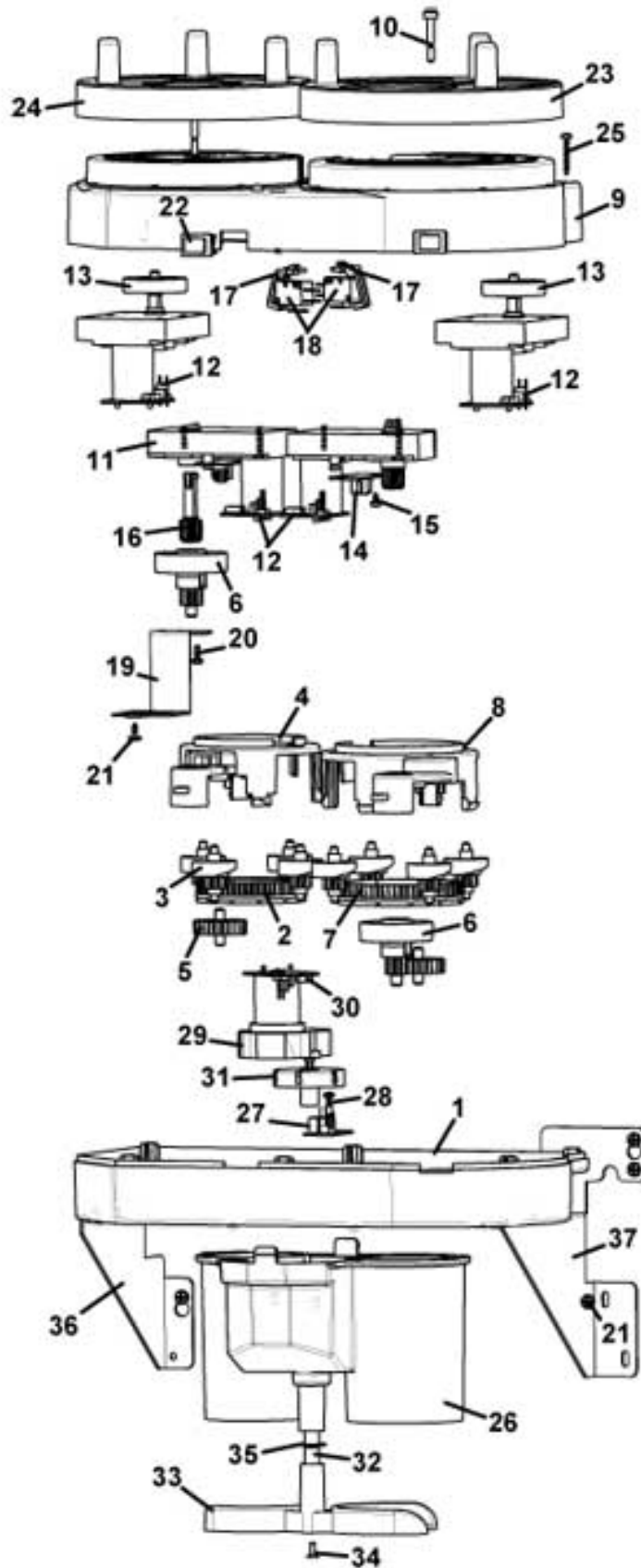
SAGOMA EUROPA - 2 TURRETS CUPS STATION

Pos.	Code	Description
1	0020038126	CUPS STATION FRAME
	0020038126CI	CUPS STATION FRAME TRAFFIC GREY RAL 7042
	0020038126CK	CUPS STATION FRAME DUST GREY RAL 7037
	0020038126CM	CUPS STATION FRAME MERCEDES GREY RAL 9006
	0020038126CT	CUPS STATION FRAME OPAQUE MERCEDES GREY RAL 90
	0020038126DA	CUPS STATION FRAME PEARL LIGHT GREY
2	0400008009/2	CUPS STOP HATCH
3	0020034168	
	0020034168CB	SAND GREY 153155
	0020034168NA	BLACK
4	VIT0002466	QUICK-THREAD SCREW 3.5 x 16 CROSS
5	0400007014	L.H. SUPPORT *
	0400007014CA	L.H. SUPPORT DOVE GREY RAL 7006
	0400007014CB	L.H. SUPPORT SAND GREY 153155
	0400007014IC	L.H. SUPPORT ORANGE RAL 2011
	0400007014NA	L.H. SUPPORT BLACK
	0400007014PG	L.H. SUPPORT BRIGHT BLUE RAL 5012
6	0400007027	R.H. SUPPORT *
	0400007027CA	R.H. SUPPORT DOVE GREY RAL 7006
	0400007027CB	R.H. SUPPORT SAND GREY 153155
	0400007027IC	R.H. SUPPORT ORANGE RAL 2011
	0400007027NA	R.H. SUPPORT BLACK
	0400007027PG	R.H. SUPPORT BRIGHT BLU RAL 5012
7	0400009501	LOCKING PLATE
	0400009501CW	LOCKING PLATE B TRAFFIC GREY
8	0400007021	LOCKING SPRING
9	VIT0002469	SCREW TC 3.5 x 10 FOR PLASTIC
10	0150001056	DRIP TRAP
11	0400009502	PERFORATED CUP STATION FRAME
	0400009502CW	PERFORATED CUP STATION FRAME B TRAFFIC GREY
12	0400009504	COVER CUP STATION FRAME
	0400009504CW	COVER CUP STATION FRAME B TRAFFIC GREY
13	0400008101	FEEDER SUPPORT *
	0400008101CA	FEEDER SUPPORT DOVE GREY RAL 7006
	0400008101CB	FEEDER SUPPORT SAND GREY 153155
	0400008101NA	FEEDER SUPPORT BLACK
14	VIT0002401	TAPPING SCREW TCB 3.5 x 9.5
15	0400009506	WATER TRAY
	0400009506CW	WATER TRAY B TRAFFIC GREY
16	0400009508	TRANSPARENT GLASS



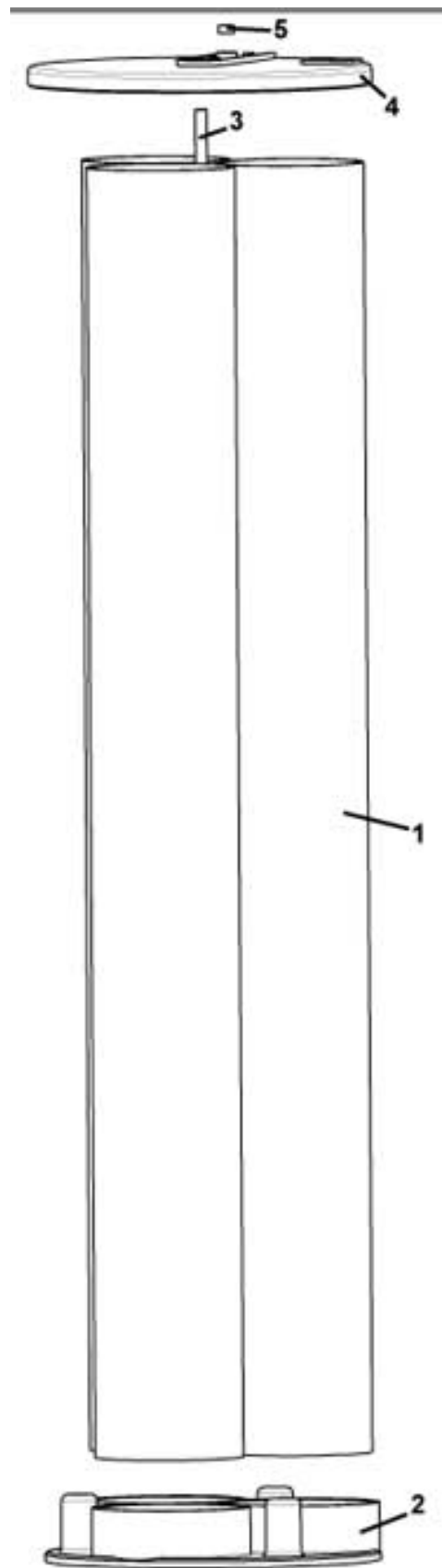
SAGOMA EUROPA - 1 TURRET CUPS STATION

Pos.	Code	Description
1	0020038126	CUPS STATION FRAME
	0020038126CI	CUPS STATION FRAME TRAFFIC GREY RAL 7042
	0020038126CK	CUPS STATION FRAME DUST GREY RAL 7037
	0020038126CM	CUPS STATION FRAME MERCEDES GREY RAL 9006
	0020038126CT	CUPS STATION FRAME OPAQUE MERCEDES GREY RAL 90
	0020038126DA	CUPS STATION FRAME PEARL LIGHT GREY
2	0400008009/2	CUPS STOP HATCH
3	0020034168	
	0020034168CB	SAND GREY 153155
	0020034168NA	BLACK
4	VIT0002466	QUICK-THREAD SCREW 3.5 x 16 CROSS
5	VIT0003301	WASHER D.12 x 4.3 x 1.5
6	0400006011	R.H. BRACKET
	0400006011CA	R.H. BRACKET DOVE GREY RAL 7006
	0400006011NA	R.H. BRACKET BLACK
7	0400007021	LOCKING SPRING
8	0400007027	R.H. SUPPORT
	0400007027CA	R.H. SUPPORT DOVE GREY RAL 7006
	0400007027CB	R.H. SUPPORT SAND GREY 153155
	0400007027IC	R.H. SUPPORT ORANGE RAL 2011
	0400007027NA	R.H. SUPPORT BLACK
	0400007027PG	R.H. SUPPORT BRIGHT BLU RAL 5012
9	0400007017	LOCKING PLATE
	0400007017CA	LOCKING PLATE DOVE GREY RAL 7006
	0400007017NA	LOCKING PLATE BLACK
10	VIT0002004	TAPPING SCREW TCB 3.5 x 13
11	0400006026	L.H. BRACKET
	0400006026CA	L.H. BRACKET DOVE GREY RAL 7006
	0400006026NA	L.H. BRACKET BLACK
12	0400007014	L.H. SUPPORT
	0400007014CA	L.H. SUPPORT DOVE GREY RAL 7006
	0400007014CB	L.H. SUPPORT SAND GREY 153155
	0400007014IC	L.H. SUPPORT ORANGE RAL 2011
	0400007014NA	L.H. SUPPORT BLACK
	0400007014PG	L.H. SUPPORT BRIGHT BLUE RAL 5012
13	0400007003	CUP STOP SUPPORT
	0400007003CA	CUP STOP SUPPORT DOVE GREY RAL 7006
	0400007003CB	CUP STOP SUPPORT SAND GREY 153155
	0400007003IC	CUP STOP SUPPORT ORANGE RAL 2011
	0400007003NA	CUP STOP SUPPORT BLACK
	0400007003PG	CUP STOP SUPPORT BRIGHT BLUE RAL 5012
14	0400008101	FEEDER SUPPORT
	0400008101CA	FEEDER SUPPORT DOVE GREY RAL 7006
	0400008101CB	FEEDER SUPPORT SAND GREY 153155
	0400008101NA	FEEDER SUPPORT BLACK
15	VIT0002401	TAPPING SCREW TCB 3.5 x 9.5
16	0400006033	CUP SUPPORT
	0400006033CA	CUP SUPPORT DOVE GREY RAL 7006
	0400006033IC	CUP SUPPORT ORANGE RAL 2011
	0400006033NA	CUP SUPPORT BLACK
	0400006033PG	CUP SUPPORT BRIGHT BLUE RAL 5012
17	VIT0007104R	BUSH
18	0150001056	DRIP TRAP
19	VIT0002469	SCREW TC 3.5 x 10 FOR PLASTIC
20	0150001052	FEEDER
	0150001052CA	FEEDER DOVE GREY RAL 7006
	0150001052CB	FEEDER SAND GREY 153155
	0150001052NA	FEEDER BLACK
21	0150001053	FEEDER COUNTERPART
	0150001053CA	FEEDER COUNTERPART DOVE GREY RAL 7006
	0150001053CB	FEEDER COUNTERPART SAND GREY 153155
	0150001053NA	FEEDER COUNTERPART BLACK
22		



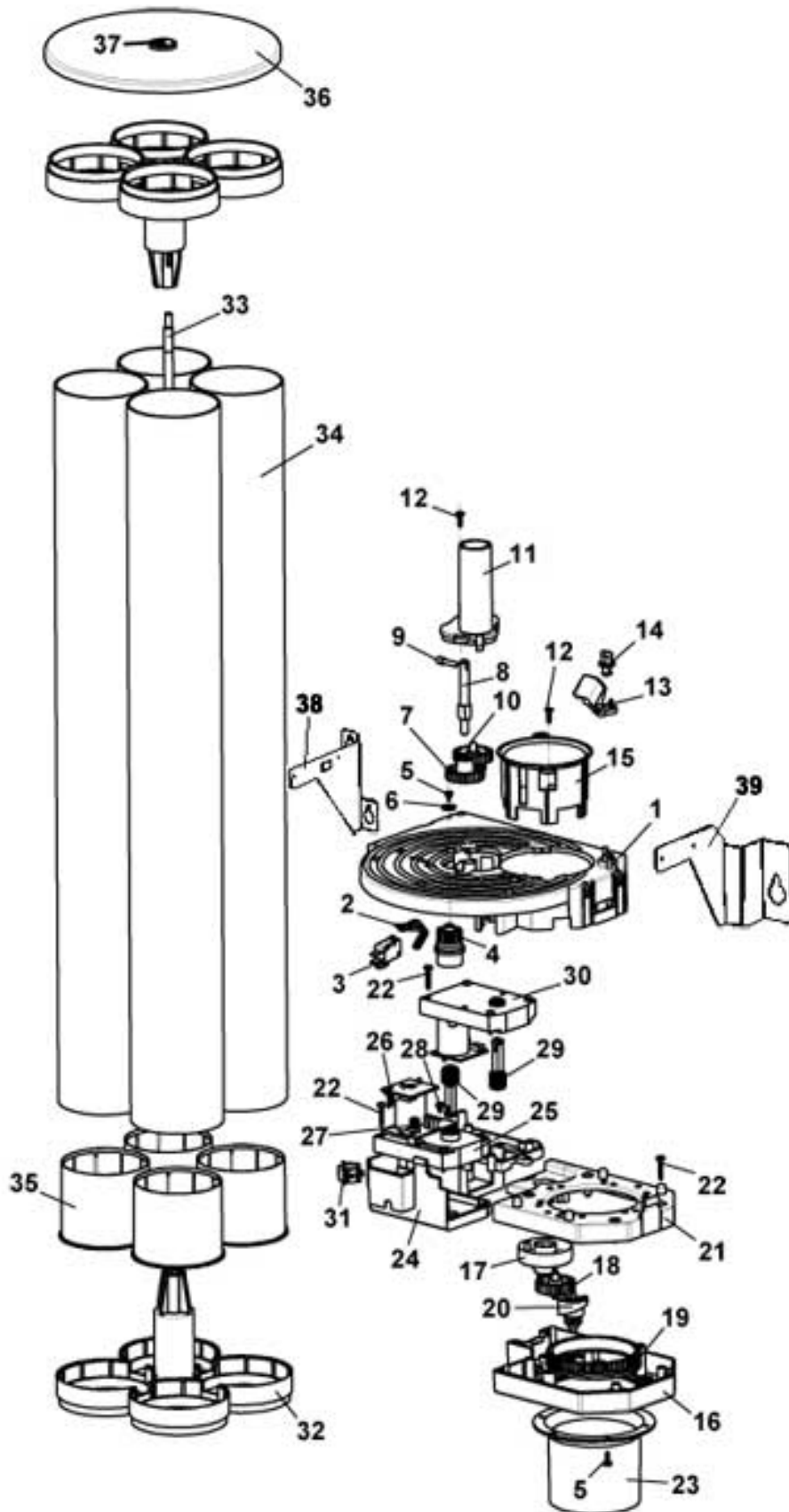
SAGOMA EUROPA - CUPS LOADER (2 TURRETS)

Pos.	Code	Description
1	0190006729	PALLETS LOWER PLATE
	0190006729CW	PALLETS LOWER PLATE B TRAFFIC GREY
2	0190006726	Z57 RING NUT
3	0190006506	PALLETS D.70/78 (PLASTIC)
	0190006506IC	PALLETS D.70/78 (PLASTIC) ORANGE RAL 2011
4	0190006732	D.53 CUP GUIDE
	0190006732CW	D.53 CUP GUIDE B TRAFFIC GREY
5	0190006528	IDLE Z26 WHEEL
6	0190006511	DB MOTOR CONNECTION
	0190006511NA	DB MOTOR CONNECTION BLACK
7	0190006523	D.70/73 RING NUT
8	0190006731	D.70 CUP GUIDE
	0190006731CW	D.70 CUP GUIDE B TRAFFIC GREY
9	0190006727	PALLETS UPPER PLATE
	0190006727CW	PALLETS UPPER PLATE B TRAFFIC GREY
10	0190006751	PIN
11	0090002114	GEAR MOTOR MOD.930 11RPM 24V DC
12	SCH0007020	MOTORS FILTER
13	0190006744	SPROCKET WHEEL
14	SCH0007000	PALLETS SENSOR
15	VIT0002002	3.5 x 6.5 TCB SCREW
16	0190006518	Z18 SHAFT
17	0190006556	MICRO LEVER (80mm)
	0190006556KA	MICRO LEVER (80mm) SIGNAL RED RAL 3020
18	ELE0001530	3A 125-250VA MICRO
19	0190006743	CONNECTOR SUPPORT
20	VIT0002469	SCREW TC 3.5 x 10 FOR PLASTIC
21	VIT0002401	TAPPING SCREW TCB 3.5 x 9.5
22	ELE0002258	RED UNIPOLAR BUTTON
23	0190006735	70 TURRET ROTATION RING NUT
	0190006735CW	70 TURRET ROTATION RING NUT B TRAFFIC GREY
24	0190006736	53 TURRET ROTATION RING NUT
	0190006736CW	53 TURRET ROTATION RING NUT B TRAFFIC GREY
25	VIT0002456	QUICK-THREAD TC SCREW 3.5 x 25
26	0190006734	CUPS FEEDER
	0190006734CW	CUPS FEEDER B TRAFFIC GREY
27	SCH0008260	MOVEMENT SENSOR FORK
28	VIT0002009	TAPPING SCREW T.C.B. 3.5 x 6,5
29	0090002514	MT.G70.C2.BL.EH.00 24V DC
30	SCH0003740	DC MOTORS FILTER
31	0190006733	POSITION DISK
	0190006733NA	POSITION DISK BLACK
32	0190006737	CUP FORK SUPPORT PIN
33	0190006728	CUP FORK
	0190006728CW	CUP FORK B TRAFFIC GREY
34	VIT0000107	M 4x10 TSP SCREW
35	VIT0006518	D.9 RADIAL STOP RING
36	0020038401	LEFT TURRET SUPPORT
37	0020038402	RIGHT TURRET SUPPORT
100	0190006700CL	D.53/70 ASSEMBLED 2 TURRETS 3C DB



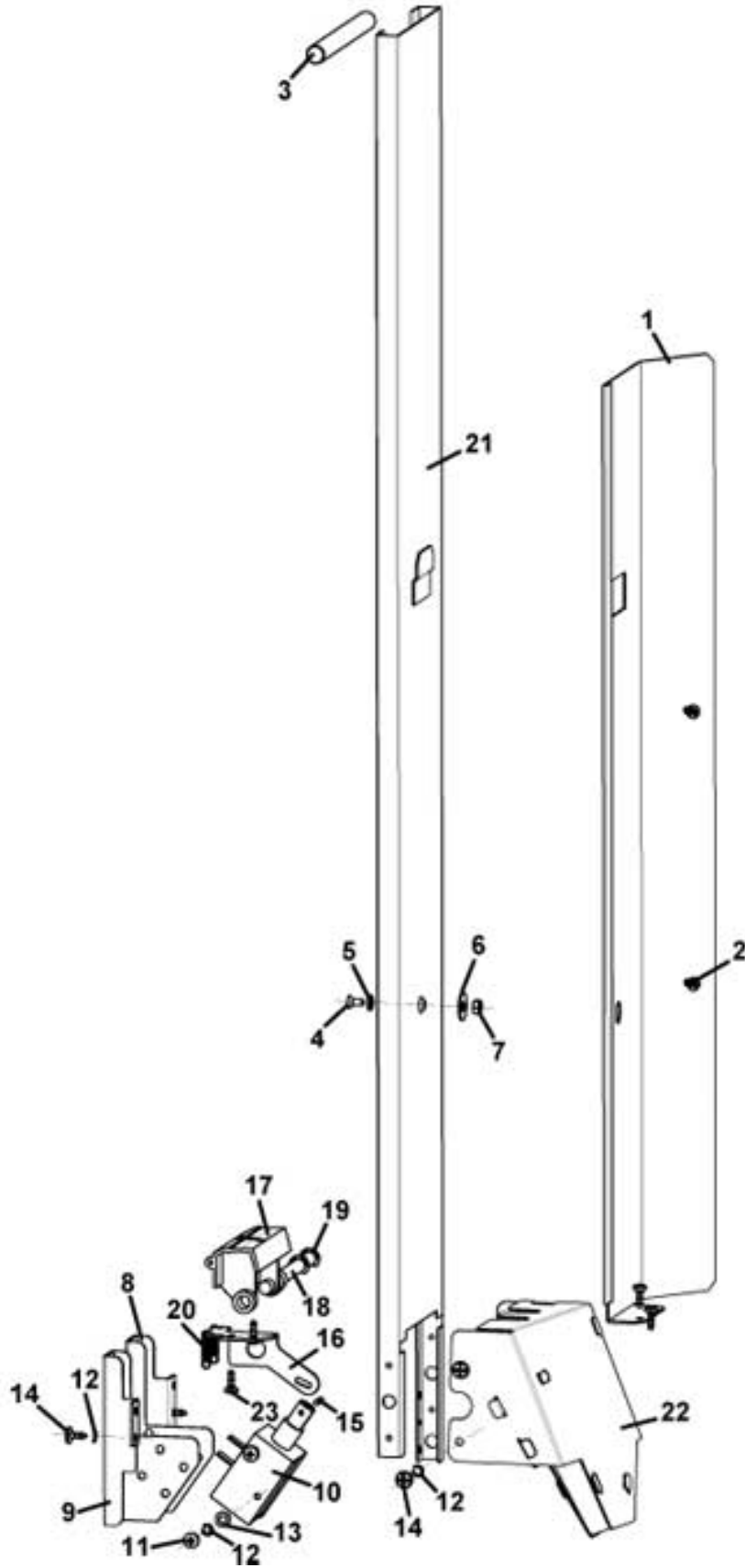
SAGOMA EUROPA - CUPS TURRET (2 TURRETS)

Pos.	Code	Description
1/a	0180013151	2 TURRETS PIPE D.66/62MM L680MM
1/b	0180013152	2 TURRETS PIPE D.78/74MM L680MM
2/a	0190006738	D.62/66 TUBE GUIDE
	0190006738CW	D.62/66 TUBE GUIDE B TRAFFIC GREY
2/b	0190006739	D.74/78 TUBE GUIDE
	0190006739CW	D.74/78 TUBE GUIDE B TRAFFIC GREY
3	0180013155	TIE-BOLT
4/a	0190006747	D.53 2 TURRETTS COVER
	0190006747CW	D.53 2 TURRETTS COVER B TRAFFIC GREY
4/b	0190006748	D.70 2 TURRETTS COVER
	0190006748CW	D.70 2 TURRETTS COVER B TRAFFIC GREY
5	ELT0030560	MAGNET D.8X4



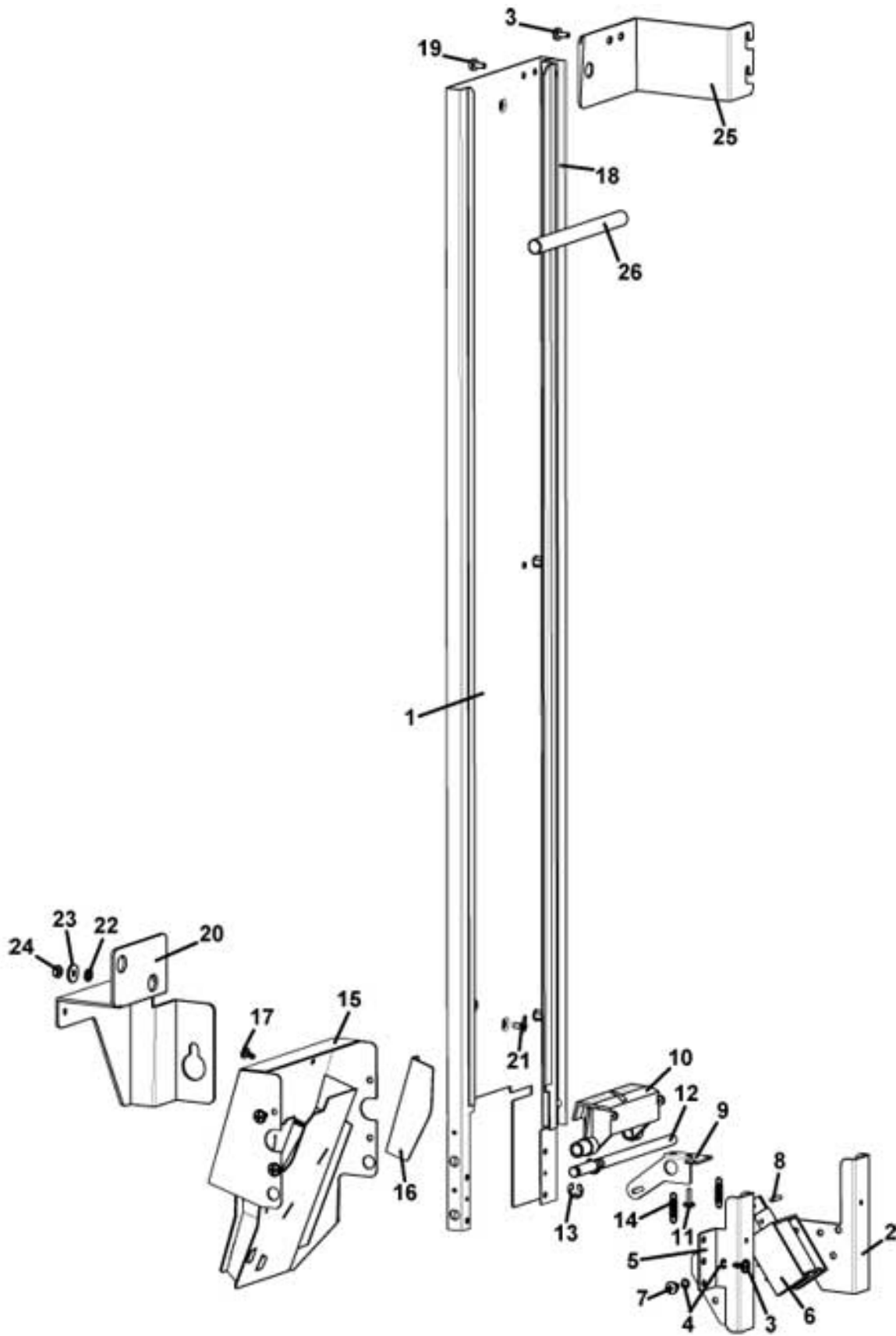
SAGOMA EUROPA - CUPS LOADER (1 TURRET)

Pos.	Code	Description
1	0190006534	TURRET SUPPORT
	0190006534CY	TURRET SUPPORT TECHNIC GREY RAL 9018
2	0190006543	MICRO LEVER
3	ELE0001530	3A 125-250VA MICRO
4	0190006546	DB MOTOR CONNECTION
5	VIT0002469	SCREW TC 3.5 x 10 FOR PLASTIC
6	VIT0003301	WASHER D.12 x 4.3 x 1.5
7	0190006503	TURRET Z26 WHEEL
8	0190006536	TURRET SHAFT
9	0190006553	ORIENTATION PIN
10	0190006544	Z16 PINION
11	0190006537	TURRET CONNECTION
	0190006537CY	TURRET CONNECTION TECHNIC GREY RAL 9018
12	VIT0002101	3.9x 13 TAPPING TCB SCREW
13	0190006554	TURRET STOPPED LEVER
	0190006554CY	TURRET STOPPED LEVER TECHNIC GREY RAL 9018
14	0190006555	STOPPED PIN
	0190006555CY	STOPPED PIN TECHNIC GREY RAL 9018
15/a	0190006538	D.70 REDUCTION
	0190006538CF	D.70 REDUCTION ANTHRACITE GRAY RAL 7016
15/b	0190006539	D.73 REDUCTION
	0190006539CY	D.73 REDUCTION TECHNIC GREY RAL 9018
16	0190006521	PALLETS LOWER PLATE
	0190006521CY	PALLETS LOWER PLATE TECHNIC GREY RAL 9018
17	0190006511	DB MOTOR CONNECTION
	0190006511NA	DB MOTOR CONNECTION BLACK
18	0190006528	IDLE Z26 WHEEL
19/a	0190006523	D.70/73 RING NUT
19/b	0190006507	D.78/80 RING NUT
20/a	0190006506	PALLETS D.70/78 (PLASTIC)
	0190006506IC	PALLETS D.70/78 (PLASTIC) ORANGE RAL 2011
20/b	0190006552	PALLETS D.73 (PLASTIC)
	0190006552CI	PALLETS D.73 (PLASTIC) TRAFFIC GREY RAL 7042
20/c	0190006502	PALLETS D.73/80 (PAPER)
20/d	0190006551	PALLETS D.70/78 (PAPER)
	0190006551GJ	PALLETS D.70/78 (PAPER) ZINC YELLOW RAL 1018
21	0190006524	PALLETS UPPER PLATE
	0190006524CY	PALLETS UPPER PLATE TECHNIC GREY RAL 9018
22	VIT0002455	QUICK-THREAD SCREW 3.5 x 20
23/a	0190006514	D.70/73 CUPS FEEDER
	0190006514CY	D.70/73 CUPS FEEDER TECHNIC GREY RAL 9018
23/b	0190006515	D.78/80 CUPS FEEDER
	0190006515CY	D.78/80 CUPS FEEDER TECHNIC GREY RAL 9018
24	0190006522	MOTOR SUPPORT
	0190006522CY	MOTOR SUPPORT TECHNIC GREY RAL 9018
25	0090002114	GEAR MOTOR MOD.930 11RPM 24V DC
26	SCH0007020	MOTORS FILTER
27	SCH0007000	PALLETS SENSOR
28	VIT0002002	3.5 x 6.5 TCB SCREW
29	0190006518	Z18 SHAFT
30	0090002123	24V DC 5,5 RPM GEAR MOTOR
31	ELE0002258	RED UNIPOLAR BUTTON
32	0180013105	4C PIPES CONNECTION
	0180013105CY	4C PIPES CONNECTION TECHNIC GREY RAL 9018
33	0180013114	SINGLE TURRET TIE-BOLT
34	0180013109	1 TURRET PIPE D.84/81MM L680MM
35	0180013113	D.70 COLUMN REDUCTION
36	0180013107	TURRET COVER
	0180013107CY	TURRET COVER TECHNIC GREY RAL 9018
37	ELT0030560	MAGNET D.8X4
38	0020038121	LEFT TURRET SUPPORT
39	0020038122	RIGHT TURRET SUPPORT
100	0190006522CL	ASSEMBLED DB TURRET MOTOR SUPPORT FROM POS. 24 TO POS. 31
101	0180013100CL1	HIGH ASSEMBLED 4C TURRET D.70/73 FROM POS. 32 A POS. 36



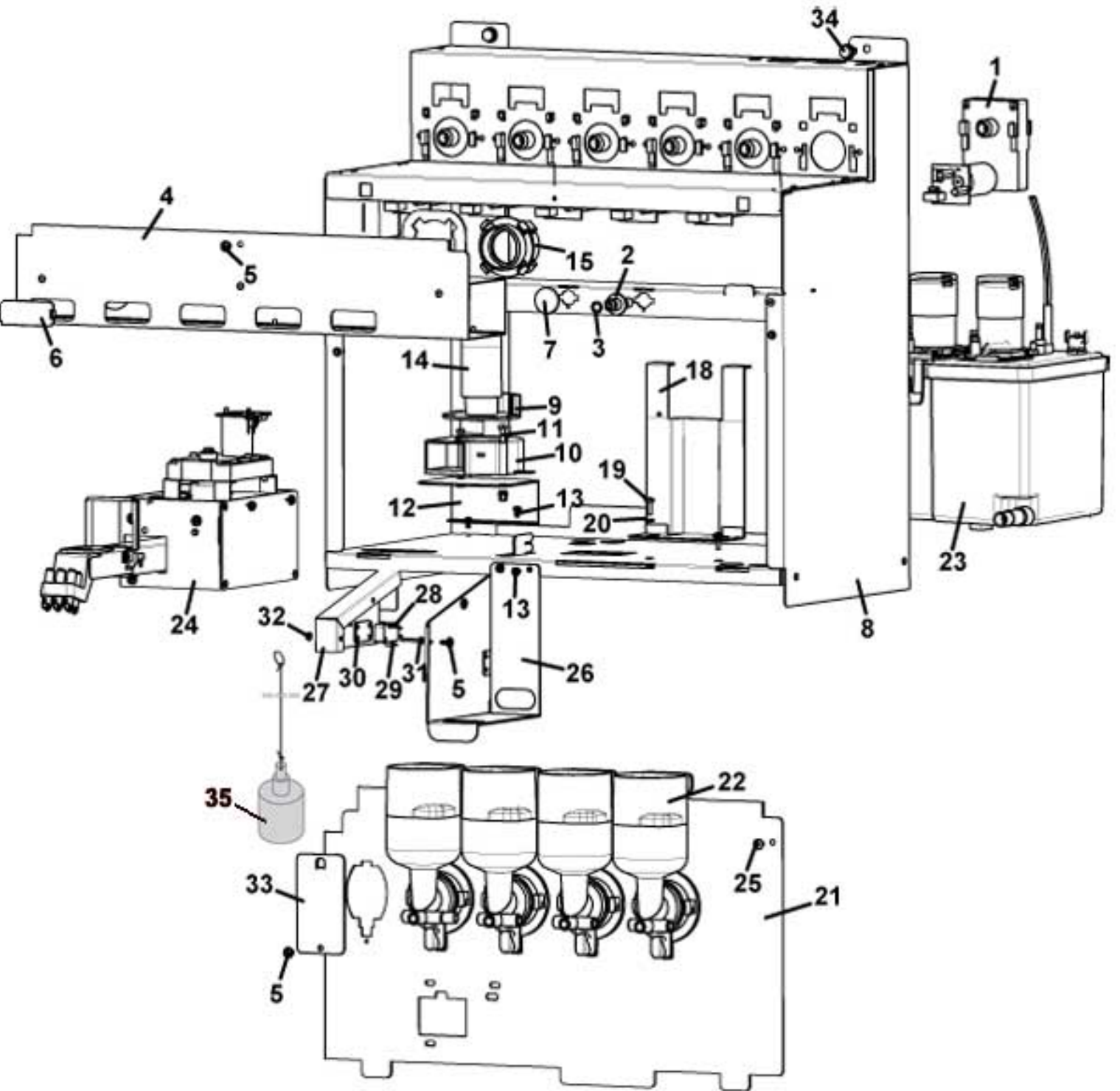
SAGOMA EUROPA - STICKS DISPENSER (2 TURRETS)

Pos.	Code	Description
1	0020038403	STICKS DISPENSER SUPPORT
2	VIT0002009	TAPPING SCREW T.C.B. 3,5 x 6,5
3	4001012030	STICK WEIGHT 89 mm
4	VIT0000106	M 4x8 TSP SCREW
5	VIT0003103	WASHER tab D. 4.3
6	VIT0003302	5.5x12x1.5 FLAT WASHER
7	VIT0004503	NUT M 4
8	0450011138	LEFT ELECTROMAGNET SUPPORT
9	0450011137	RIGHT ELECTROMAGNET SUPPORT
10	ELE0000055	24 V DC ELECTROMAGNET
11	VIT0000021	M 4x6 TCB SCREW
12	VIT0003405	D.4.3 GROWER WASHER
13	VIT0003003	WASHER D.8 x 4.3 x 0.8
14	VIT0002401	TAPPING SCREW TCB 3.5 x 9.5
15	VIT0005211	2.5 x 12 CYLINDRICAL PIN
16	0450003108	ELECTROMAGNET CONNECTING ROD
17	0450002003	STICKS DISPENSER
18	0450003008	STICKS DISPENSER PIN 89 mm
19	VIT0006504	D.5 RADIAL STOP RING
20	0450003010	RETURN SPRING
21	0450011135	STICKS CONTAINER mm 89
22	0450011141	STICKS CHUTE
23	VIT0002469	SCREW TC 3.5 x 10 FOR PLASTIC
100	0450011130CL	STICKS DISPENSER 89mm EXCEPT POS. 3



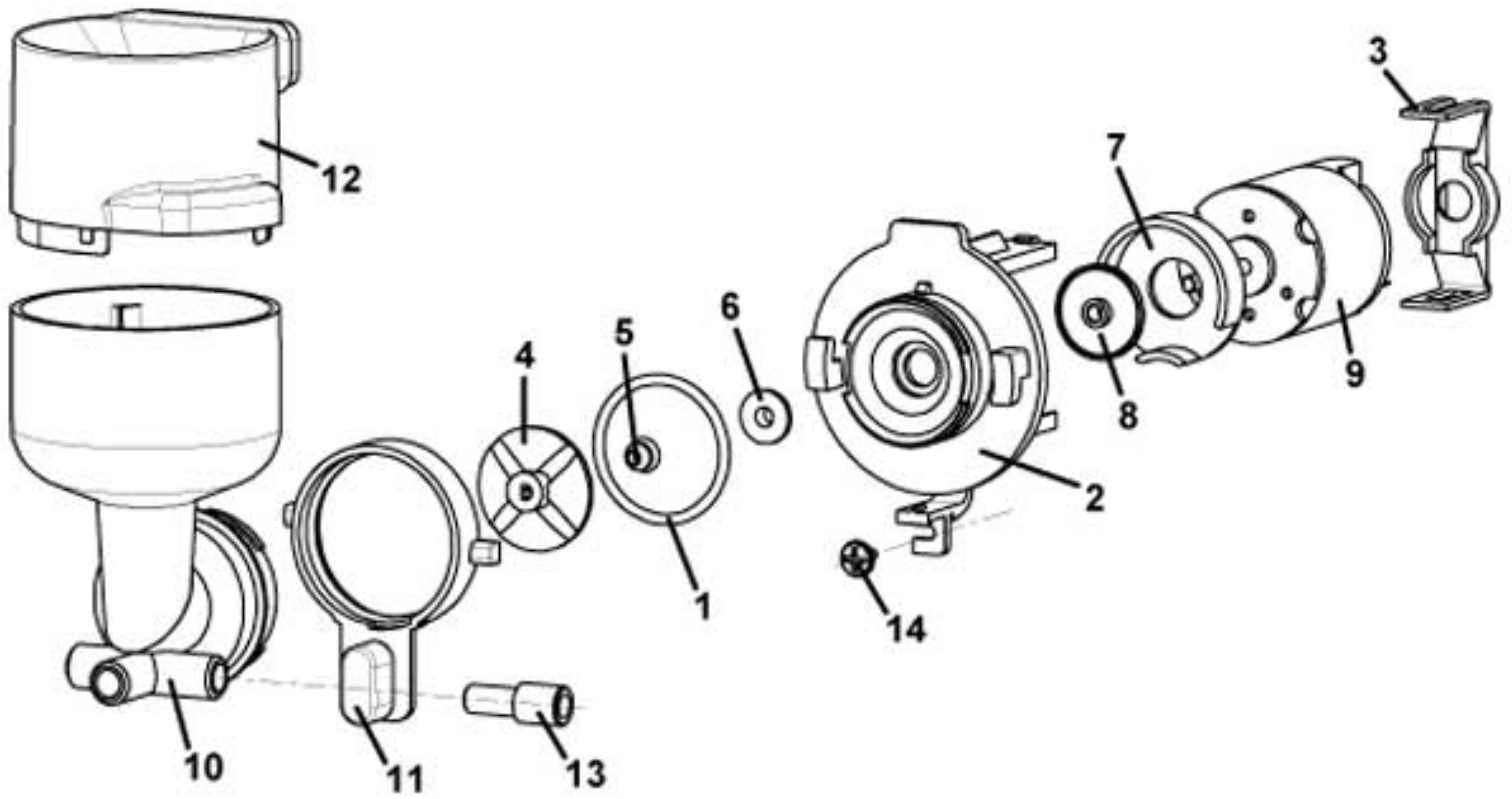
SAGOMA EUROPA - STICKS DISPENSER (1 TURRET)

Pos.	Code	Description
1	0450011056	STICKS CONTAINER
2	0450011063	RIGHT ELECTROMAGNET SUPPORT
3	VIT0002401	TAPPING SCREW TCB 3.5 x 9.5
4	VIT0003405	D.4.3 GROWER WASHER
5	0450011064	LEFT ELECTROMAGNET SUPPORT
6	ELE0000055	24 V DC ELECTROMAGNET
7	VIT0000021	M 4x6 TCB SCREW
8	VIT0005211	2.5 x 12 CYLINDRICAL PIN
9	0450011065	STICKS DISPENSER ROD
10	0450002003	STICKS DISPENSER
11	VIT0002469	SCREW TC 3.5 x 10 FOR PLASTIC
12	0450011066	STICKS DISPENSER PIN
13	VIT0006504	D.5 RADIAL STOP RING
14	0450003010	RETURN SPRING
15	0450011106	STICKS FEEDER
16	0450011112	INTERNAL WALL
17	VIT0002009	TAPPING SCREW T.C.B. 3,5 x 6,5
18	0450011057	STICKS CONTAINER GUIDE
19	VIT0000030	SCREW TCB M4 x 7
20	0020038123	TURRET RIGHT SUPPORT WITH STICKS
21	VIT0000106	M 4x8 TSP SCREW
22	VIT0003103	WASHER tab D. 4.3
23	VIT0003302	5.5x12x1.5 FLAT WASHER
24	VIT0004503	NUT M 4
25	0020038166	STICKS STIFFENING
26	4001012030	STICK WEIGHT 89 mm

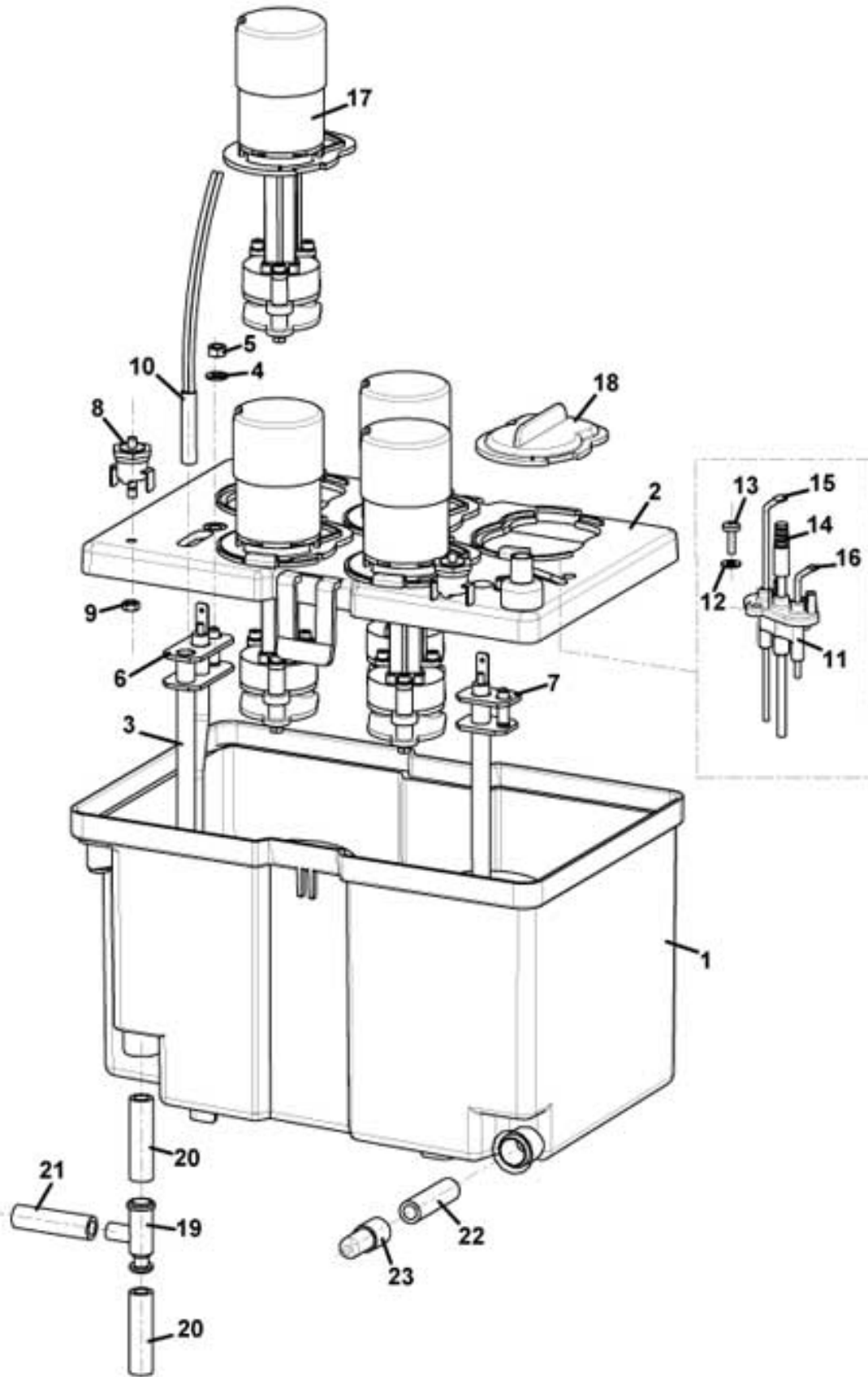


SAGOMA EUROPA - SOLUBLES DISPENSER H

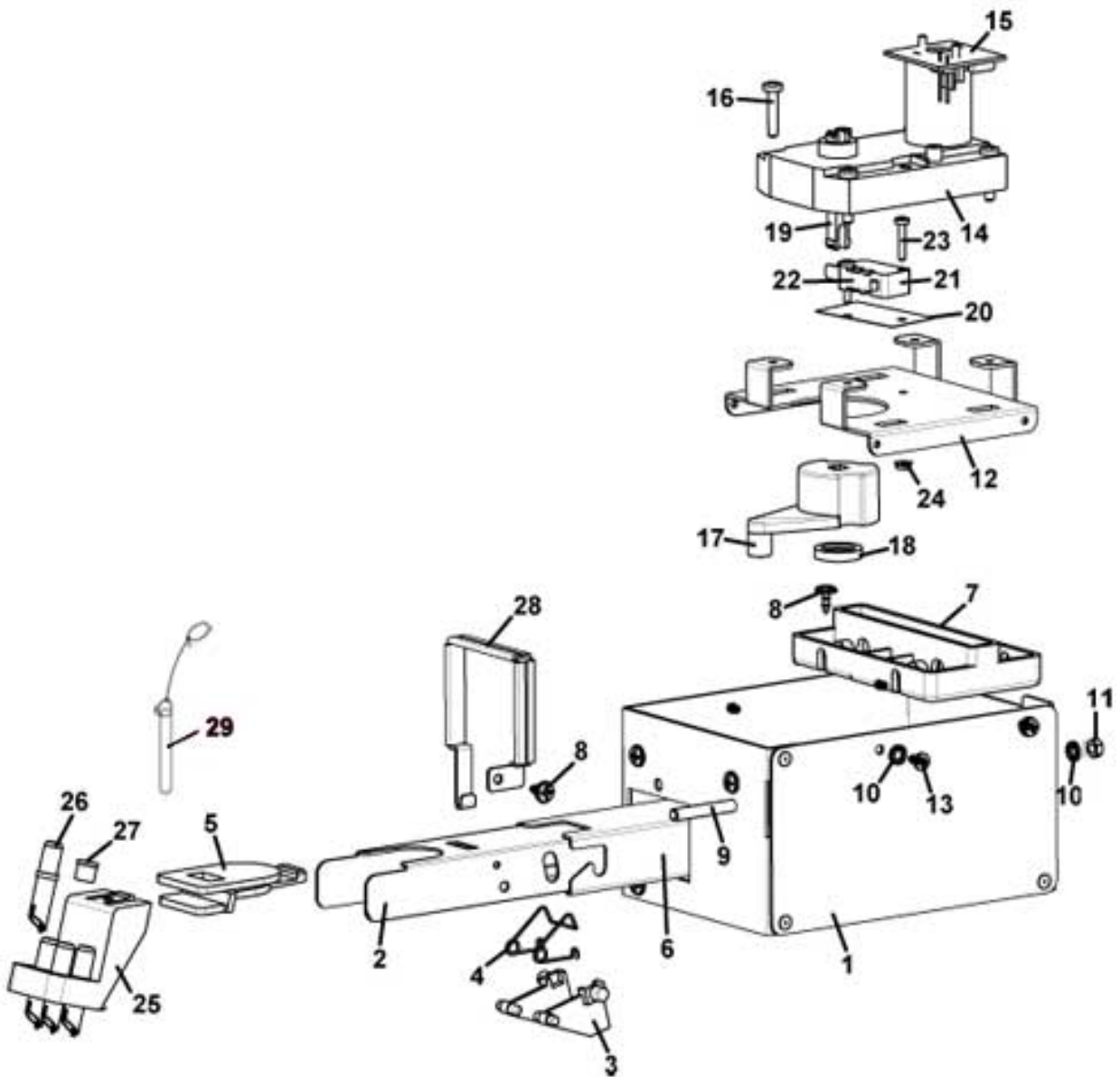
Pos.	Code	Description
1	0090002113R	24 V DC 80 RPM PRODUCT GEAR MOTOR
2	0080100043	SHORT MIXER INSERT
3	GUA0000089	SILICONE 2031 OR
4	0070014913	H EXHAUST HOUSING
5	VIT0002401	TAPPING SCREW TCB 3.5 x 9.5
6	0070014776	EXHAUST PLUG
7	0080100035	PLUG FOR CONNECTION SEAT
	0080100035NA	PLUG FOR CONNECTION SEAT BLACK
8	0070014905	H6/7 SOLUBLES HOUSING
9	0010014071	D.30 EXHAUST COVER
10	ELE0000465R	24V DC EXHAUST FAN
11	VIT0000235	M 4X40 TE SCREW
12	0070014625	FAN SUPPORT
13	VIT0002009	TAPPING SCREW T.C.B. 3,5 x 6,5
14	TEOL000002	EXTERNAL WRINKLED PIPE D.30
15	0070020019	EOLO TUBE SUPPORT
	0070020019CY	EOLO TUBE SUPPORT TECHNIC GREY RAL 9018
18	0070020023	BOILER FIXING
19	VIT0001005	SCREW T.C.B. M 4 x 12
20	VIT0003109	WASHER tab D. 4.3
21	0070014912	MIXER SUPPORT H
22		See table MIXER
23		See table BOILER
24		See table DISTRIBUTION PIPES MOVEMENT
25	VIT0000030	SCREW TCB M4 x 7
26	0070020036	GUIDE FOR PIPES
27	0070020037	MICRO PROTECTION
28	ELE0001528	MICRO 83.161.832
29	NL201106265	MICRO LEVER
30	4600010014	MICRO SPACER
31	VIT0000007	M 3x20 TCB SCREW
32	VIT0004701	M3 FR NUT
33	0010020028	MIXER MASK
	0010020028NA	MIXER MASK BLACK
34	VIT0000236	E.H SCREW M 6 x 11 + FR
35	0070020038CL1	ASSEMBLED FLOATER



Pos.	Code	Description	
1	GUA0000084	OR 3131	
2	0080100005	MIXER BASE	
3	0080100009	MOTOR HOUSING CONNECTION	
	0080100009IC	MOTOR HOUSING CONNECTION ORANGE RAL 2011	
4	0080100011	SMALL FAN MIXER SHAFT D.4	
	0080100011PL	SMALL FAN MIXER SHAFT D.4 OVERSEAS BLUE RAL 5002	
5	0080100014	MIXER SHAFT GASKET D.4	
6	0080100015	MIXER BASE BUSH	
7	0080100023	MIXER COVER	
	0080100023IC	MIXER COVER ORANGE RAL 2011	
8	0080100024	DRIP TRAP FAN	
9	0090003023	24 V DC MIXER MOTOR SHAFT D.4	
10	0080100041	MIXER BODY NO INLET	
	0080100041PL	MIXER BODY NO INLET OVERSEAS BLUE RAL 5002	
11	0080100006	STOPPER RING	
	0080100006IC	STOPPER RING ORANGE RAL 2011	
12/a	0080100031	EXHAUST BODY D.70	
	0080100031NA	EXHAUST BODY D.70 BLACK	
12/b	0080100029	REDUCTION EXHAUST BODY	
	0080100029CK	REDUCTION EXHAUST BODY DUST GRAY RAL 7037	
13/a	0080100016	INSTANT COFFEE REDUCTION D.2,5	
13/b	0080100095	COFFEE OUTLET REDUCTION D.4	
14	VIT0002401	TAPPING SCREW TCB 3.5 x 9.5	
100	0080100001R	MIXER BASE+MOTOR ASSEMBLY (FROM POS.1 TO POS.9)	assieme

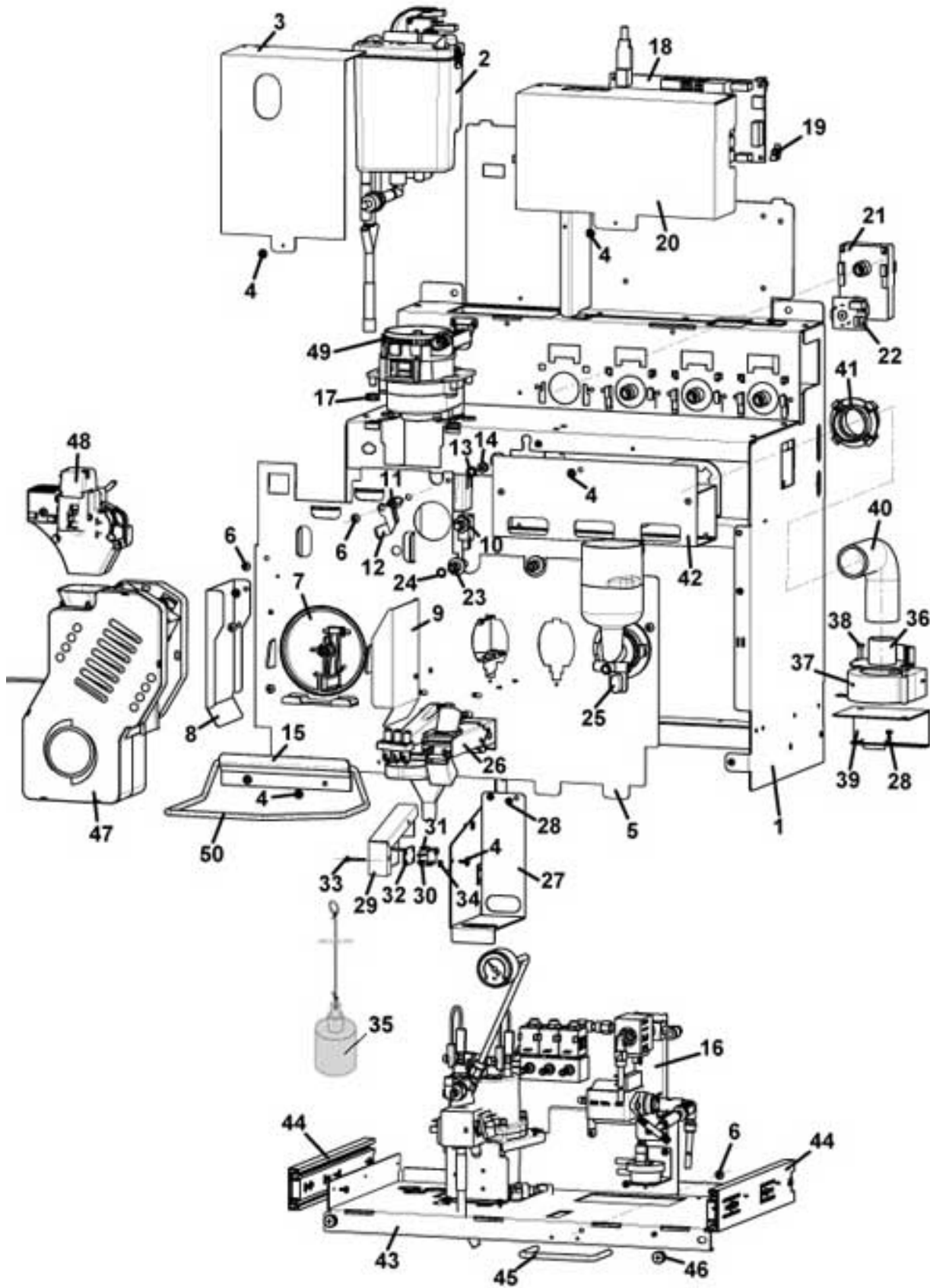


Pos.	Code	Description
1	0600014111	BOILER TANK
2	0600014106	5 PUMPS BOILER COVER
3	0600014107	1650W HEATING ELEMENT
4	VIT0003203	STAINLESS STEEL FLAT WASHER D.5.3 x 10 x 1
5	VIT0004804	STAINLESS STEEL NUT M5
6	0600014113	5 PUMPS BOILER HEATING ELEMENT GASKET
7	0600014114	5 PUMPS BOILER HEATING ELEMENT GASKET
8	ELE0000965	MANUAL RESET THERMOSTAT 88°C
9	VIT0004803	STAINLESS STEEL NUT M4
10	ELE0003026CL	121° FUSE ASSEMBLED
11	0600016059	PROBE SUPPORT
12	VIT0003202	STAINLESS STEEL FLAT WASHER D.4,3 x 9 x 0,8
13	VIT0001005	SCREW T.C.B. M 4 x 12
14	ELE0000978R	SOLUBLES PROBE mm 80
15	0600016053	MIN. WATER LEVEL PROBE
16	0600016054	MAX WATER LEVEL PROBE
17	0600016405R	BOILER PUMP
18	0600016422	PUMP COVER
19	0600016028	BOILER T
20	TSIL07/11T	TRANSPARENT SILICONE PIPE D.7 x 11
21	TSIL05/08T	TRANSPARENT SILICONE PIPE D.5 x 8
22	TSIL10/14T	TRANSPARENT SILICONE PIPE D.10 x 14
23	650001057	BOILER DISCHARGE PLUG
100	0600014100R	ASSEMBLED 4 PUMP BOILER
101	0600014101R	ASSEMBLED 3 PUMP BOILER



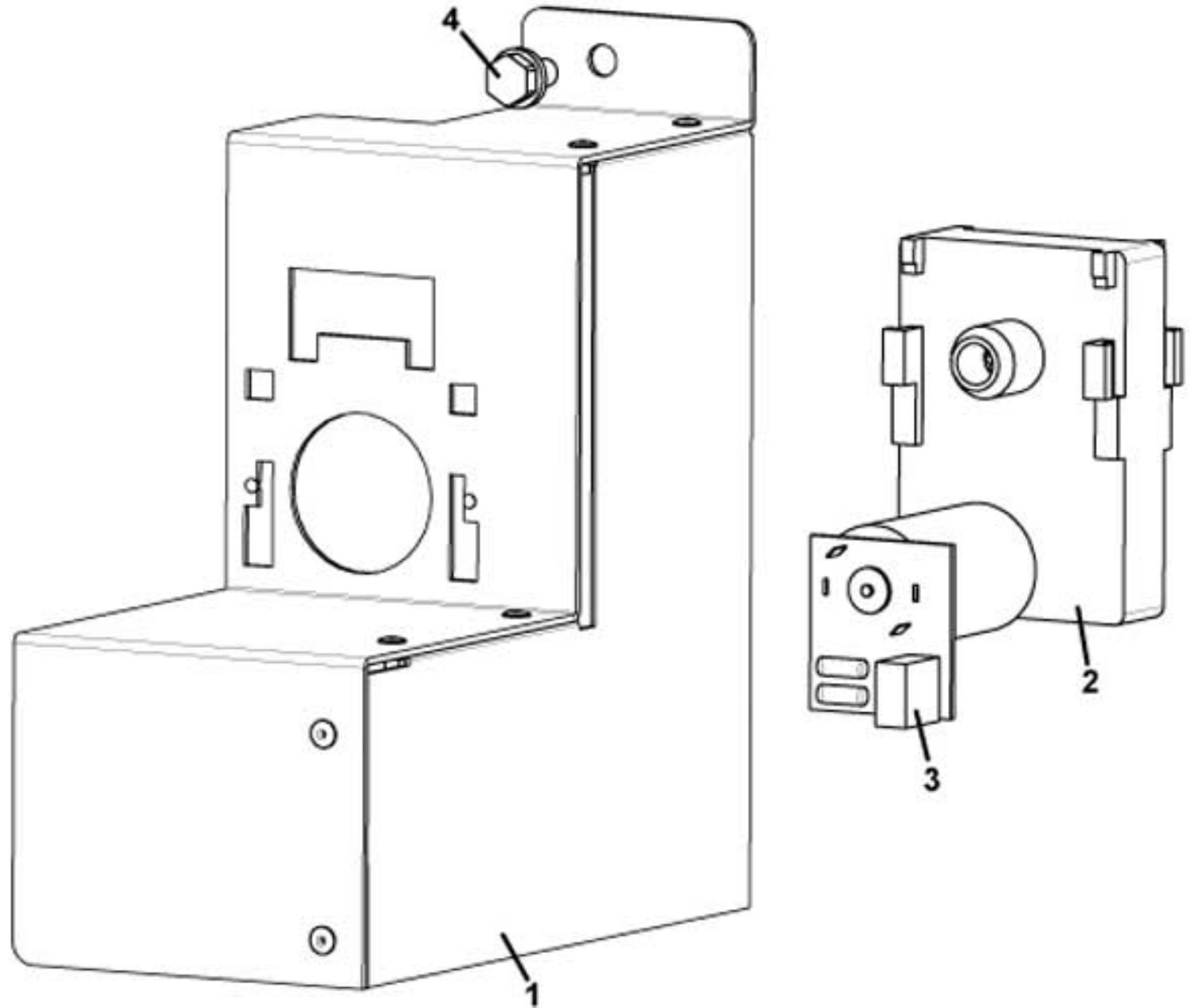
SAGOMA EUROPA - DISTRIBUTION PIPES MOVEMENT

Pos.	Code	Description
1	0380010805	MOVABLE PIPES MOVEMENT HOUSING
2	0380010616	PRODUCT PIPES SUPPORT ESTRAIBILE
3	0380010599	KEY PIPES MOVEMENT
4	0380010629	KEY PIPES MOVEMENT
5	0380010459	PRODUCT PIPES SUPPORT PLATE
	0380010459NA	PRODUCT PIPES SUPPORT PLATE BLACK
6	0380010683	PRODUCTS PIPES SUPPORT GUIDE
7	0380010692	PIPES SUPPORT GUIDE
8	VIT0002401	TAPPING SCREW TCB 3.5 x 9.5
9	0380010808	PIPES SUPPORT GUIDE SHAFT
10	VIT0003103	WASHER tab D. 4.3
11	VIT0004503	NUT M 4
12	0380010693	GEAR MOTOR SUPPORT
13	VIT0002009	TAPPING SCREW T.C.B. 3,5 x 6,5
14	0090002114	GEAR MOTOR MOD.930 11RPM 24V DC
15	SCH0003740	DC MOTORS FILTER
16	VIT0000035	M 4 x 20 TCB SCREW
17	0380010694	MOVABLE PIPES CAM
18	0380010831	BUSH 20x4
19	0380010421	GEAR MOTOR SHAFT
20	7500902054	SUPPLEMENTARY INSULATION
21	ELE0001528	MICRO 83.161.832
22	ELE0001906	161 E R 24.1 MICRO LEVER
23	VIT0000006	M 3x16 TCB SCREW
24	VIT0004701	M3 FR NUT
25	0380010655	PIPES PRODUCT SUPPORT
	0380010655NA	PIPES PRODUCT SUPPORT BLACK
26	0380010657	DISPENSER PIPE
	0380010657NA	DISPENSER PIPE BLACK
27	0380010656	PLUG
	0380010656NA	PLUG BLACK
28	0380010709	HOSE CLAMP
29	0380010429CL	SECURING PIN ASSEMBLY



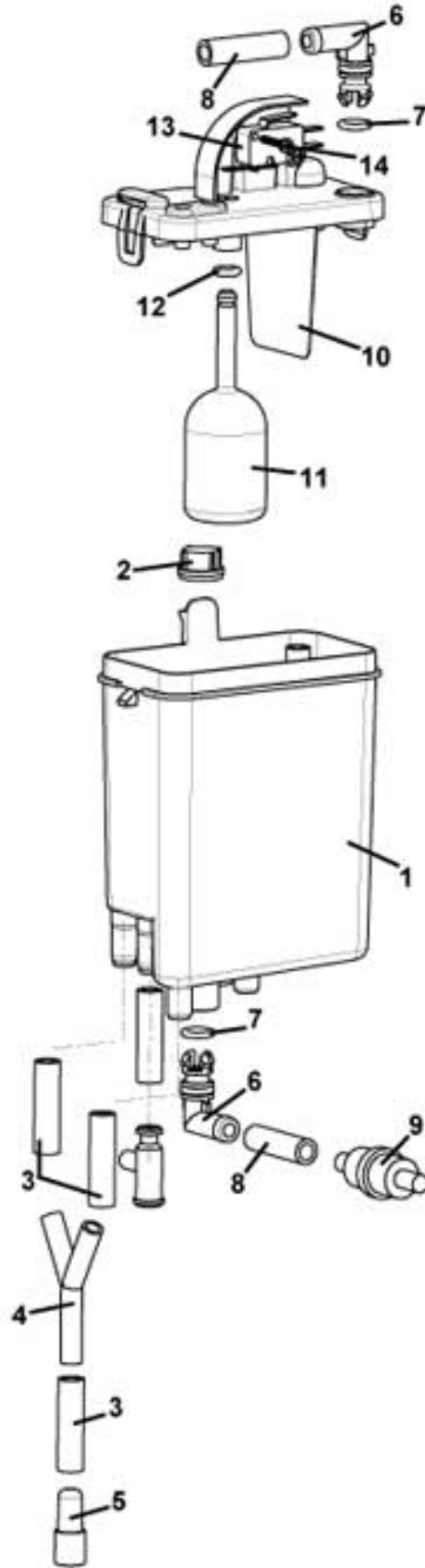
SAGOMA EUROPA - SOLUBLES DISPENSER E

Pos.	Code	Description
1	0070015105	RIVETED MIXED E SOLUBLES HOUSING
2		See table WATER INLET PANEL
3	0070015117	PROTECTION TANK
4	VIT0002401	TAPPING SCREW TCB 3.5 x 9.5
5/a	0070014690	FOR THE VERSION WITH 2 TURRETS
5/b	0070015121	MIXER SUPPORT E 1T FOR THE VERSION WITH 1 TURRET
6	VIT0000030	SCREW TCB M4 x 7
7		See table COFFEE BEANS GROUP SUPPORT
8	0260010207	COFFEE POWDERS CHUTE
	0260010207CK	COFFEE POWDERS CHUTE DUST GREY RAL 7037
9	0260010112	GROUPS FEEDER
10	ELE0001506	MICROSWITCH 83.131.8-IW3M
11	0010020196	HOOKING BLOCK
12	0010020132	GROUP CONNECTING PLATE
13	VIT0003105	WASHER tab D. 6.4
14	VIT0004505	NUT M6
15	0260005022	BAG SUPPORT PLATE
16		See table PB BOILER SUPPORT
17	GUA0010003	BLACK CHOCK RUBBER 7522
18	SCH0007400	COFFEE GROUP CONTROL
19	ELE0062008	BOARD SUPPORT
20	0070014673	RIVETED "E" BOARD COVER
21	0090002113	MR NCJM2480-X 24VDC
22	SCH0003760	FILTRO MOTORI (INARLOCK 2 VIE) DC
23	0080100043	SHORT MIXER INSERT
24	GUA0000089	SILICONE 2031 OR
25		See table MIXER
26/a		See table "E" DISTRIBUTION PIPES MOVEMENT (2 TURRETS)
26/b		See table "E" DISTRIBUTION PIPES MOVEMENT (1 TURRET)
27	0070015145	GUIDE FOR PIPES
28	VIT0002009	TAPPING SCREW T.C.B. 3.5 x 6.5
29	0070015146	MICRO PROTECTION
30	ELE0001528	MICRO 83.161.832
31	NL201106265	MICRO LEVER
32	4600010014	MICRO SPACER
33	VIT0000007	M 3x20 TCB SCREW
34	VIT0004701	M3 FR NUT
35	0070020038CL1	ASSEMBLED FLOATER
36	0010014071	D.30 EXHAUST COVER
37	ELE0000465R	24V DC EXHAUST FAN
38	VIT0000235	M 4X40 TE SCREW
39	0070015142	FAN SUPPORT
40	TEOL000002	EXTERNAL WRINKLED PIPE D.30
41	0070020019	EOLO TUBE SUPPORT
	0070020019CY	EOLO TUBE SUPPORT TECHNIC GREY RAL 9018
42	0070014665	E RIVETED EXHAUST HOUSING
43	0070015122	MOBILE MIXER HOUSING BOTTOM
44	0070015144	TELESCOPIC COUPLE OF GUIDE
45	0070015143	BOTTOM EXTRACTABLE HANDLE
46	0180012157	COIN BOX PROTECTION CLOSING
47/a		See table MICRO COFFEE GROUP
47/b		See table HEATED MICRO COFFEE GROUP
48		See table PL BATCHER WITH SETTING
49		See table VERTICAL MILL GROUPS
50/a	0070014691	SHORT GROUNDS BAG SUPPORT FOR THE VERSION WITH 2 TURRETS
50/b	0260005021	GROUNDS BAG SUPPORT FOR THE VERSION WITH 1 TURRET



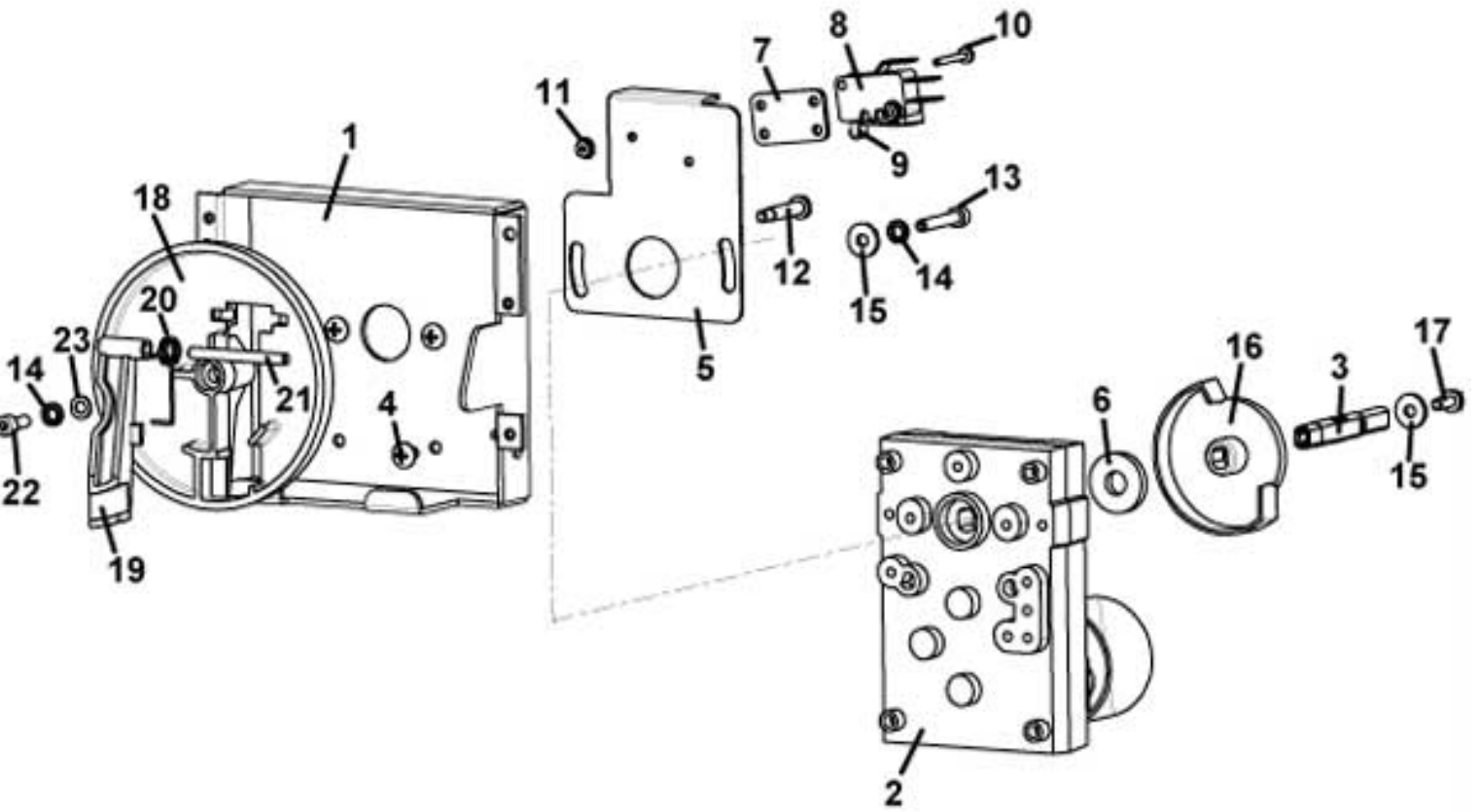
SAGOMA EUROPA - ADDITIONAL GEAR MOTOR SUPPORT

Pos.	Code	Description
1	0070014680	RIVETED ADDITIONAL GEAR MOTOR SUPPORT
2	0090002113	MR NCJM2480-X 24VDC
3	SCH0003760	FILTRO MOTORI (INARLOCK 2 VIE) DC
4	VIT0000236	E.H SCREW M 6 x 11 + FR



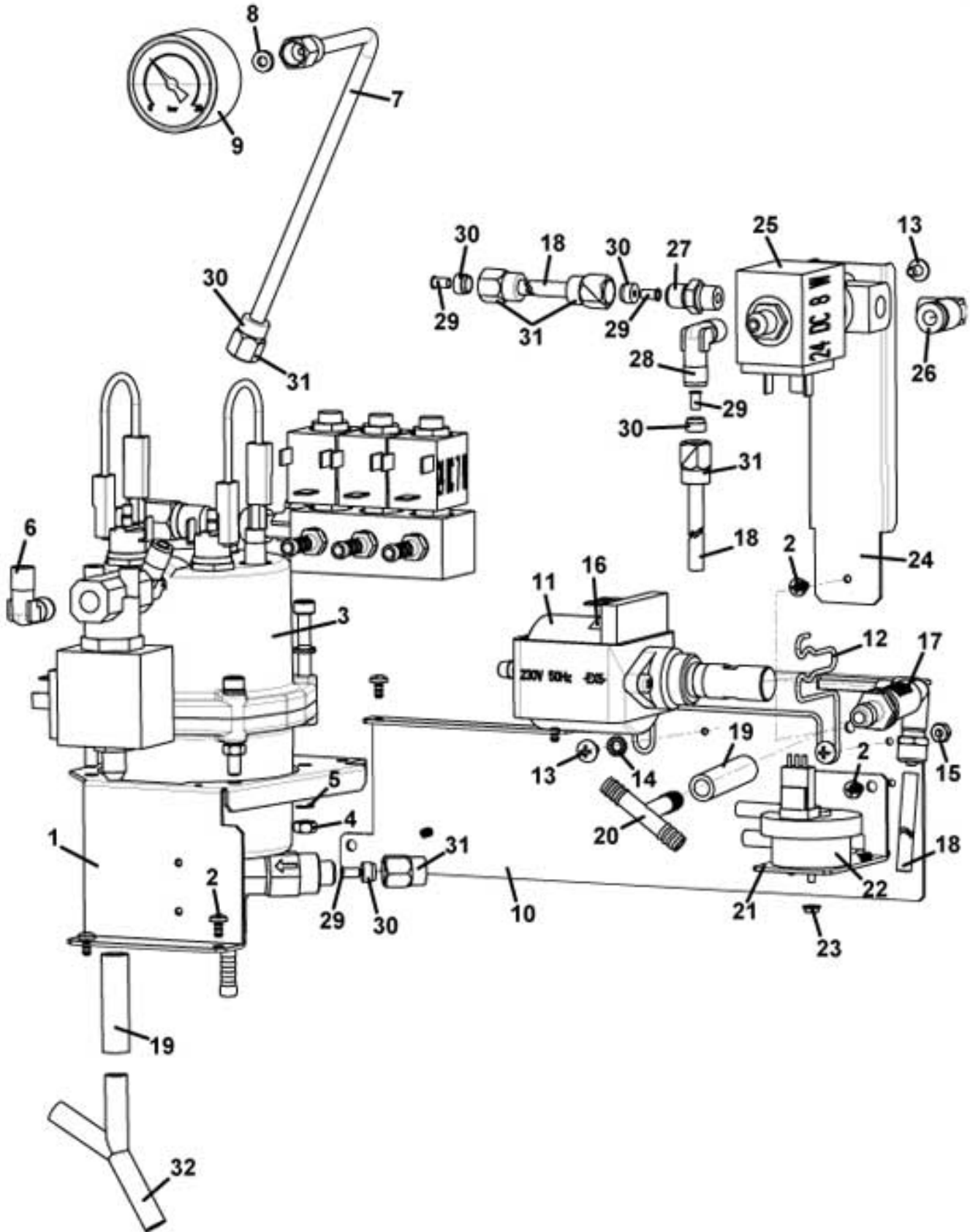
SAGOMA EUROPA - WATER INLET PANEL

Pos.	Code	Description
1	0800013041	TANK
2	0110020007	D.20 PLASTIC FILTER
3	TSIL07/11T	TRANSPARENT SILICONE PIPE D.7 x 11
4	0100001065	'Y' FITTING
5	650001057	BOILER DISCHARGE PLUG
6	0800009211	ELBOW WITH RAPID CONNECTION
7	GUA0000043	OR 109
8	TSIL06/11T	TRANSPARENT SILICONE PIPE
9	0109002002	WATER FILTER
10	0800013043	TANK COVER
11	0800013046	FLOATER TANK
12	GUA0000082	SILICONE GASKET D.6 CORD 3
13	ELE0001514	3 A 250 V MICROSWITCH
14	VIT0002013	2.9 x 19 TAPPING TCB SCREW
15	0600016028	BOILER T
100	0800014001R	AIR BREAK



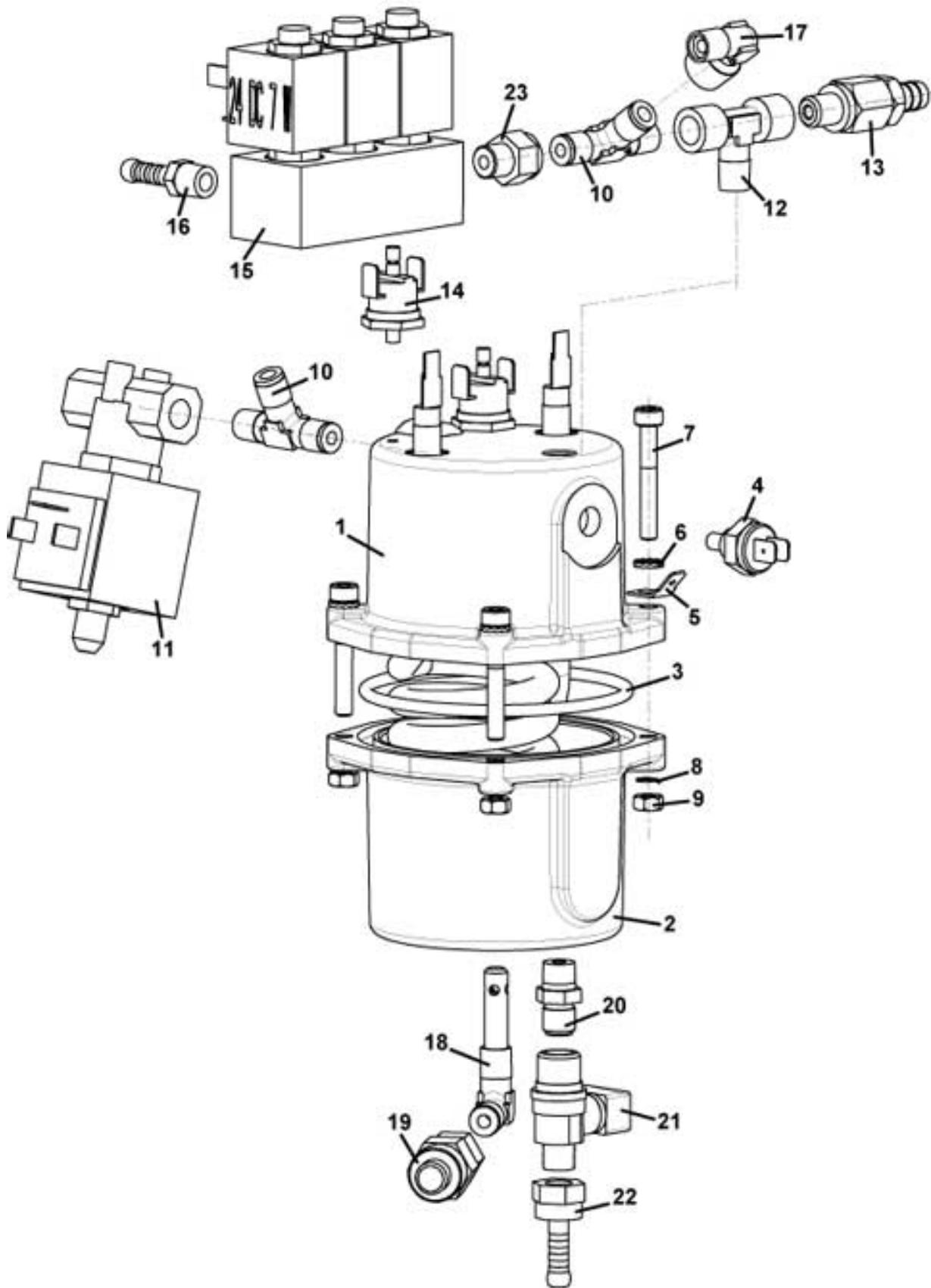
SAGOMA EUROPA - COFFEE BEANS GROUP SUPPORT

Pos.	Code	Description
1	0260010102	MICRO GROUP MOTOR SUPPORT
2	0090002191	11 RPM 24V DC MOTOR
3	0090002181	COFFEE BEANS GROUP SHAFT
4	VIT0000030	SCREW TCB M4 x 7
5	0250008093	MICRO PLATE
6	0250008091	MICRO SPACER
7	4600010014	MICRO SPACER
8	ELE0001528	MICRO 83.161.832
9	ELE0001904	MICRO LEVER
10	VIT0000007	M 3x20 TCB SCREW
11	VIT0004701	M3 FR NUT
12	0250008126	SPECIAL M4 PIN
13	VIT0005521	4x25 TCEI SCREW
14	VIT0003103	WASHER tab D. 4.3
15	VIT0003301	WASHER D.12 x 4.3 x 1.5
16	0250008043	GROUP READER DISK
17	VIT0000012	SCREW T.C.B. M 4 x 10
18	0250008012	MOTOR CRANK
19	0250008034	HOOKING LEVER
20	0250008059	SPRING FOR HOOKING LEVER
21	VIT0005205	4 x 40 CYLINDRICAL PIN
22	VIT0005508	4x12 TCEI SCREW
23	VIT0003003	WASHER D.8 x 4.3 x 0.8
100	0260010129CL	"LIP" ASSEMBLED MICRO COFFEE GROUP MOTOR SUPPORT



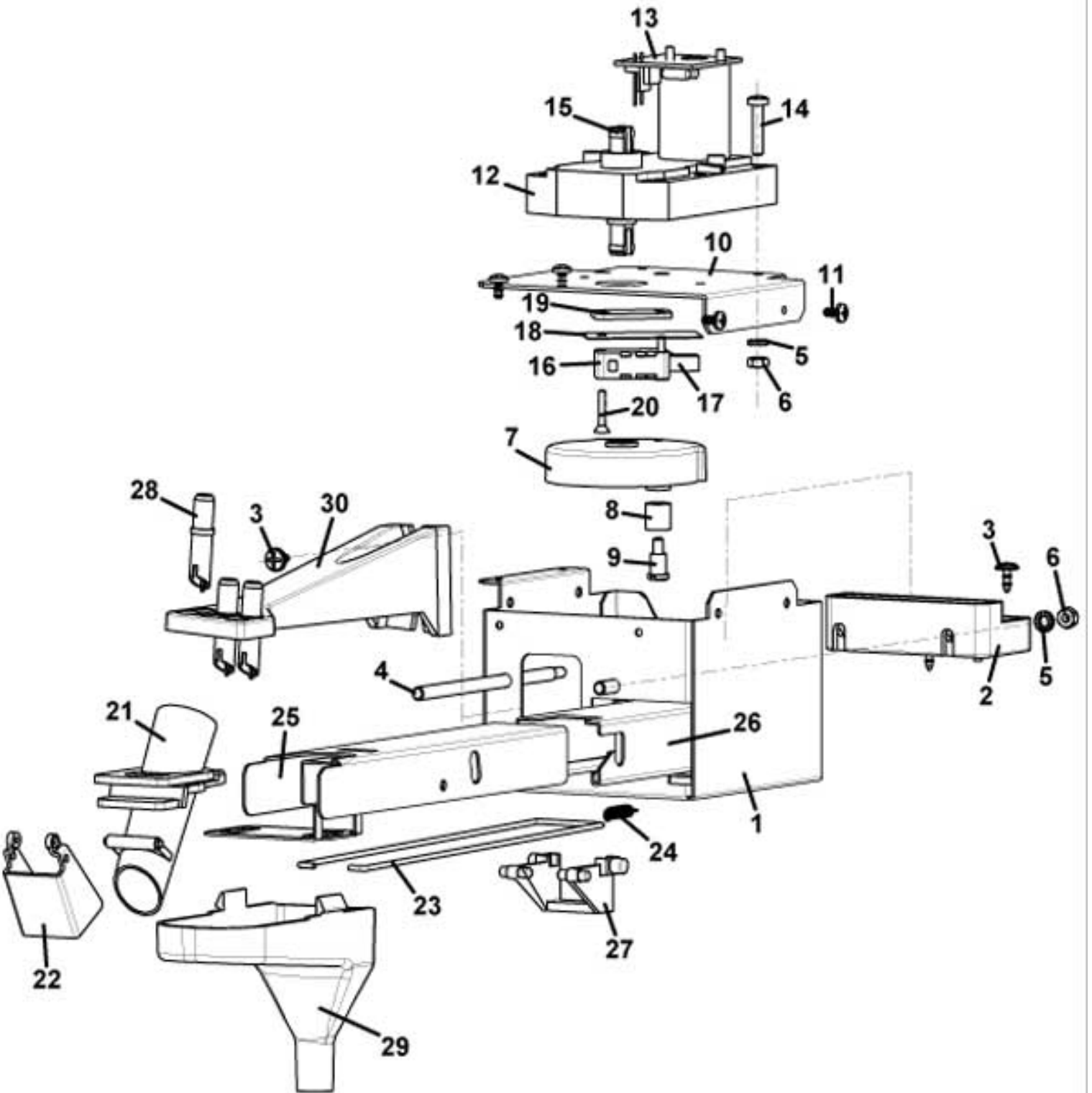
SAGOMA EUROPA - PB BOILER SUPPORT

Pos.	Code	Description
1	0070015136	E BOILER SUPPORT
2	VIT0002009	TAPPING SCREW T.C.B. 3,5 x 6,5
3		See table MICRO GROUP BOILER
4	VIT0004504	M 4 NUT
5	VIT0003406	D.5.3 GROWER WASHER
6	0100001019	L FITTING D.6-1/8M CON.
7	TCU0000002	D.4x6 COPPER PIPE
8	0100003002	COPPER GASKET
9	0110006001	D.40 0-20 bar MANOMETER - 1(8' REAR CONN.
10	0070015138	E PUMP SUPPORT
11	0110004041	EX5 230V 50 HZ PUMP
12	0110004038	ELECTROMAGNET PUMP SUPPORT
13	VIT0000030	SCREW TCB M4 x 7
14	VIT0003103	WASHER tab D. 4.3
15	VIT0004503	NUT M 4
16	ELE0000915	THERMIC PROTECTION
17	0110004070	BY PASS VALVE 110
18	TNAY0000001	D.6*4 POLYAMIDE PIPE
19	TSIL07/11T	TRANSPARENT SILICONE PIPE D.7 x 11
20	0100003015	TEE UNION
21	0070015141	VOLUME COUNTER SUPPORT
22	0110007003	VOLUME COUNTER W/RUBBERHOLDER
23	VIT0004701	M3 FR NUT
24	0070015139	EV SUPPORT
25	0110001072	24 DC 1/8 3-WAY VALVE
26	0100001056	TURNING ELBOW 6-1/4 VITON OR
27	0100001017	STRAIGHT CONNECTION D.6-1/8M CON.
28	0100001025	SO2600-6-1/8 ADJUSTABLE ELBOW
29	0100002005	STRENGTHENING BUSH D.4
30	0100002002	LOCKING RING D.6
31	0100001002	NUT FOR PIPE FITTING D.6
32	0100001065	'Y' FITTING



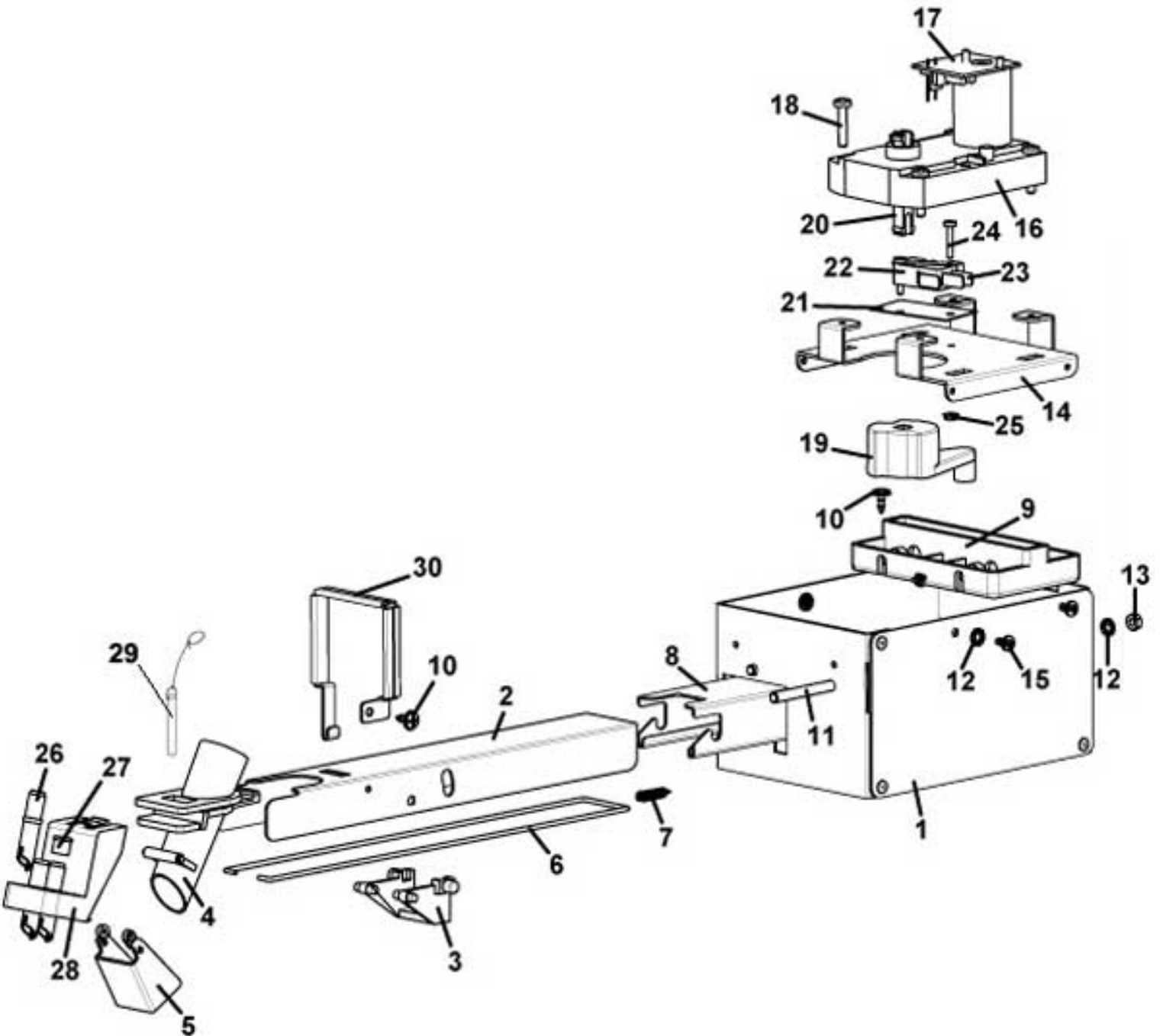
SAGOMA EUROPA - MICRO GROUP BOILER

Pos.	Code	Description
1	0600019102	UPPER BOILER CASING
2	0600019103	LOWER BOILER CASING
3	GUA0000095	OR 4300 SILICONE
4	ELE0000975	ESPRESSO PROBE
5	0600019012	MASS BLOCK
6	VIT0003104	WASHER tab D. 5.1
7	VIT0000245	M5x35 TCEI SCREW
8	VIT0003406	D.5.3 GROWER WASHER
9	VIT0004504	M 4 NUT
10	0100001028	MALE T UNION 1/8-6-6
11	0110001112	EV 3 WAY F-F 1/8 24V DC
12	0100001087	T UNION F-M-F 1/8
13	0110002013	SAFETY VALVE
14	ELE0000976	MANUAL RESET THERMOSTAT 120°C
15	0110001117	DN1.4 G1/8 24VDC 7W 3-WAY VALVE
16	0100001082	RUBBER HOLDER DIR. D.7 1/8
17	0100001085	M-F 1/8 ELBOW CONNECTION
18	0600019115	INOX ELBOW CONNECTION
19	0110002012	1/8M INLET - 1/8F OUTLET NON-RETURN VALVE
20	0100001017	STRAIGHT CONNECTION D.6-1/8M CON.
21	0600019017	COCK M/F 1/8
22	0100001090	FEMALE RUBBER HOLDER DIR. D.7 1/8
23	0100001067	INTERMEDIATE MALE FITTING 1/8 - 1/8
100	0600019300CL	E BOILER FOR MICRO GROUP



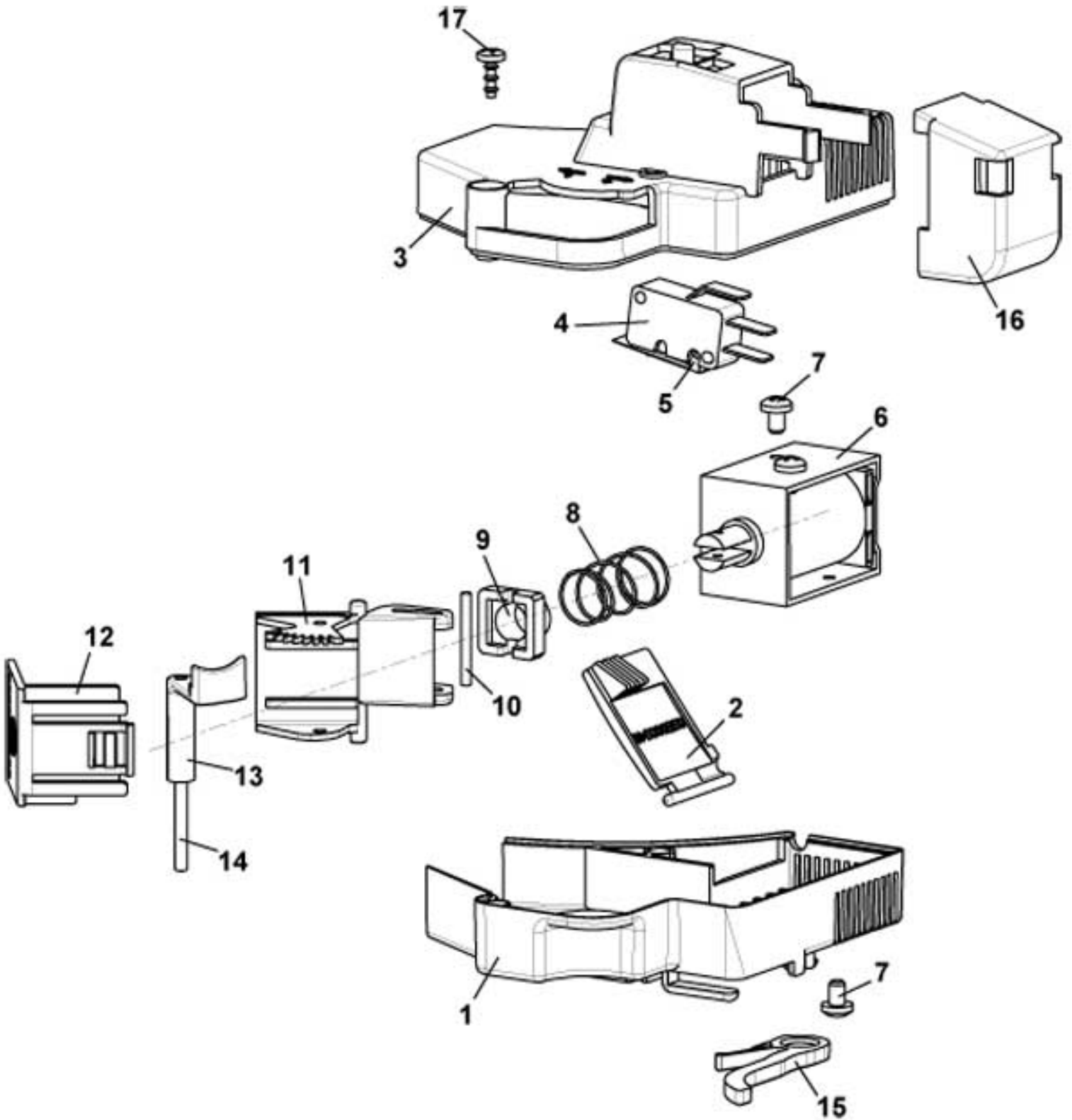
OMA EUROPA - "E" DISTRIBUTION PIPES MOVEMENT (2 TURRETS)

Pos.	Code	Description
1	0380010956	PIPES MOVEMENT HOUSING
2	0380011321	PIPES SUPPORT GUIDE
3	VIT0002401	TAPPING SCREW TCB 3.5 x 9.5
4	0380010697	WALL OPENING CONNECTION
5	VIT0003103	WASHER tab D. 4.3
6	VIT0004503	NUT M 4
7	0380010962	WHITE SUGAR POSITION MOVEMENT DISK
8	0200001011	CONTROL CONNECTING ROD ROLL
9	0200001012	ROLL PIN
10	0380010961	GEAR MOTOR SUPPORT
11	VIT0002009	TAPPING SCREW T.C.B. 3,5 x 6,5
12	0090002114	GEAR MOTOR MOD.930 11RPM 24V DC
13	SCH0003740	DC MOTORS FILTER
14	VIT0000035	M 4 x 20 TCB SCREW
15	0380010421	GEAR MOTOR SHAFT
16	ELE0001522	1-WAY 16 A 250 V MICROSWITCH
17	ELE0001906	161 E R 24.1 MICRO LEVER
18	7500902054	SUPPLEMENTARY INSULATION
19	4600010014	MICRO SPACER
20	VIT0000104	M 3x16 TSP SCREW
21	0380010423	SUGAR CHUTE
	0380010423NA	SUGAR CHUTE BLACK
22	0380010424	MOBILE WALL
	0380010424NA	MOBILE WALL BLACK
23	0380010554	WALL OPENING CONNECTION
24	0380010431	MOBILE WALL SPRING
25	0380010970	PIPES MOVEMENT SUPPORT
26	0380010964	PIPES MOVEMENT GUIDE
27	0380010599	KEY PIPES MOVEMENT
28	0380010657	DISPENSER PIPE
	0380010657NA	DISPENSER PIPE BLACK
29	0400009507	DRIP TRAY CHUTE
	0400009507CW	DRIP TRAY CHUTE B TRAFFIC GREY
30	0380010968	PRODUCT PIPES SUPPORT



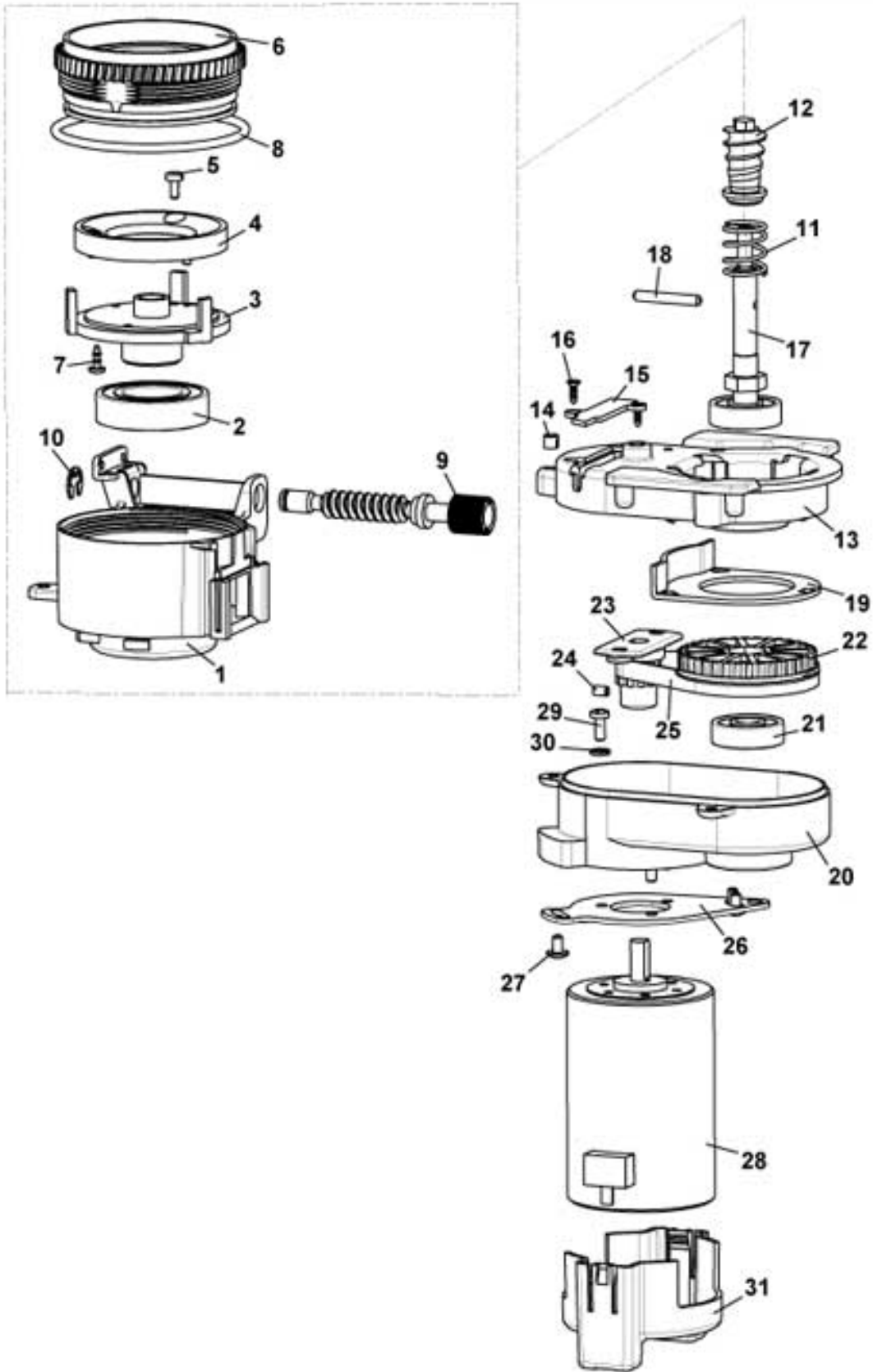
GOMA EUROPA - "E" DISTRIBUTION PIPES MOVEMENT (1 TURRET)

Pos.	Code	Description
1	0380010805	MOVABLE PIPES MOVEMENT HOUSING
2	0380010815	PRODUCT PIPES SUPPORT
3	0380010599	KEY PIPES MOVEMENT
4	0380010423	SUGAR CHUTE
	0380010423NA	SUGAR CHUTE BLACK
5	0380010424	MOBILE WALL
	0380010424NA	MOBILE WALL BLACK
6	0380010812	WALL OPENING CONNECTION
7	0380010431	MOBILE WALL SPRING
8	0380010683	PRODUCTS PIPES SUPPORT GUIDE
9	0380010692	PIPES SUPPORT GUIDE
10	VIT0002401	TAPPING SCREW TCB 3.5 x 9.5
11	0380010808	PIPES SUPPORT GUIDE SHAFT
12	VIT0003103	WASHER tab D. 4.3
13	VIT0004503	NUT M 4
14	0380010693	GEAR MOTOR SUPPORT
15	VIT0002009	TAPPING SCREW T.C.B. 3,5 x 6,5
16	0090002114	GEAR MOTOR MOD.930 11RPM 24V DC
17	SCH0003740	DC MOTORS FILTER
18	VIT0000035	M 4 x 20 TCB SCREW
19	0380010694	MOVABLE PIPES CAM
20	0380010421	GEAR MOTOR SHAFT
21	7500902054	SUPPLEMENTARY INSULATION
22	ELE0001528	MICRO 83.161.832
23	ELE0001906	161 E R 24.1 MICRO LEVER
24	VIT0000006	M 3x16 TCB SCREW
25	VIT0004701	M3 FR NUT
26	0380010657	DISPENSER PIPE
	0380010657NA	DISPENSER PIPE BLACK
27	0380010656	PLUG
	0380010656NA	PLUG BLACK
28	0380010655	PIPES PRODUCT SUPPORT
	0380010655NA	PIPES PRODUCT SUPPORT BLACK
29	0380010429CL	SECURING PIN ASSEMBLY
30	0380010709	HOSE CLAMP



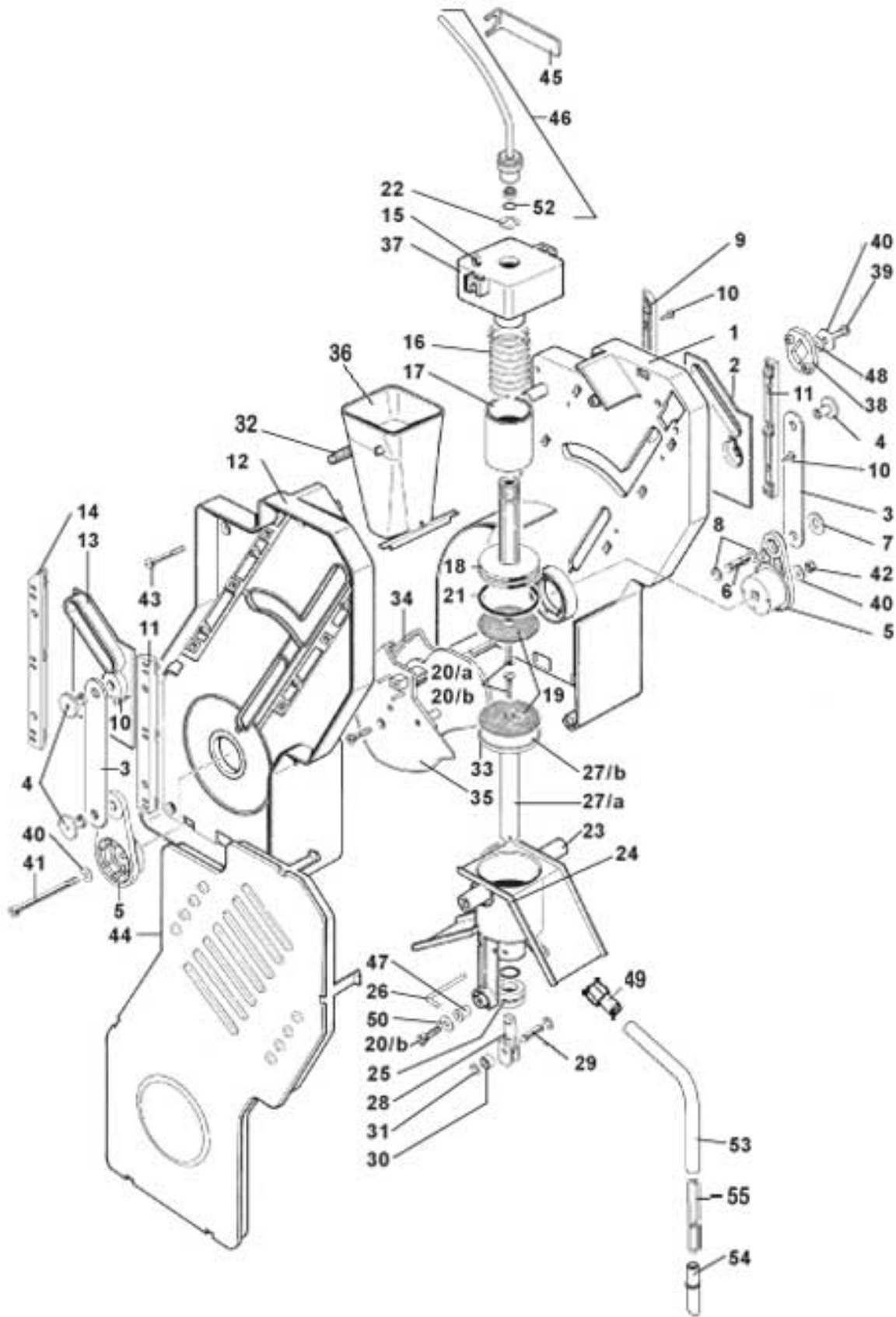
SAGOMA EUROPA - PL BATCHER WITH SETTING

Pos.	Code	Description
1	0350003406	LOWER SEMI-MONOCOQUE
	0350003406AH	LOWER SEMI-MONOCOQUE RAL 9003 SIGNAL WHITE
2	0350003411	TAB
	0350003411AH	TAB RAL 9003 SIGNAL WHITE
3	0350003407	UPPER SEMI-MONOCOQUE
	0350003407AH	UPPER SEMI-MONOCOQUE RAL 9003 SIGNAL WHITE
4	ELE0001522	1-WAY 16 A 250 V MICROSWITCH
5	ELE0001906	161 E R 24.1 MICRO LEVER
6	ELE0000063	EM PR3 8% 24V DC WITH CABLES
7	VIT0000021	M 4x6 TCB SCREW
8	0350003412	BATCHER SPRING
9	0350003417	SPRING FLANGE
	0350003417AH	SPRING FLANGE RAL 9003 SIGNAL WHITE
10	VIT0005212	2.5 x 24 CYLINDRICAL PIN
11	0350003408	BALANCING
	0350003408AH	BALANCING RAL 9003 SIGNAL WHITE
12	0350003409	REGULATION
	0350003409AH	REGULATION RAL 9003 SIGNAL WHITE
13	0350003414	REGULATION LEVER
	0350003414AH	REGULATION LEVER RAL 9003 SIGNAL WHITE
14	VIT0005219	3 x 30 CYLINDRICAL PIN
15	0350003416	LEVER RELEASE BATCHER
	0350003416AH	LEVER RELEASE BATCHER RAL 9003 SIGNAL WHITE
16	0350003415	MICRO CABLES PROTECTION
	0350003415AH	MICRO CABLES PROTECTION RAL 9003 SIGNAL WHITE
17	VIT0002469	SCREW TC 3.5 x 10 FOR PLASTIC
100	0350003400CL	5,5/12GR 24VDC COFFEE PLASTIC BATCHER 9gr



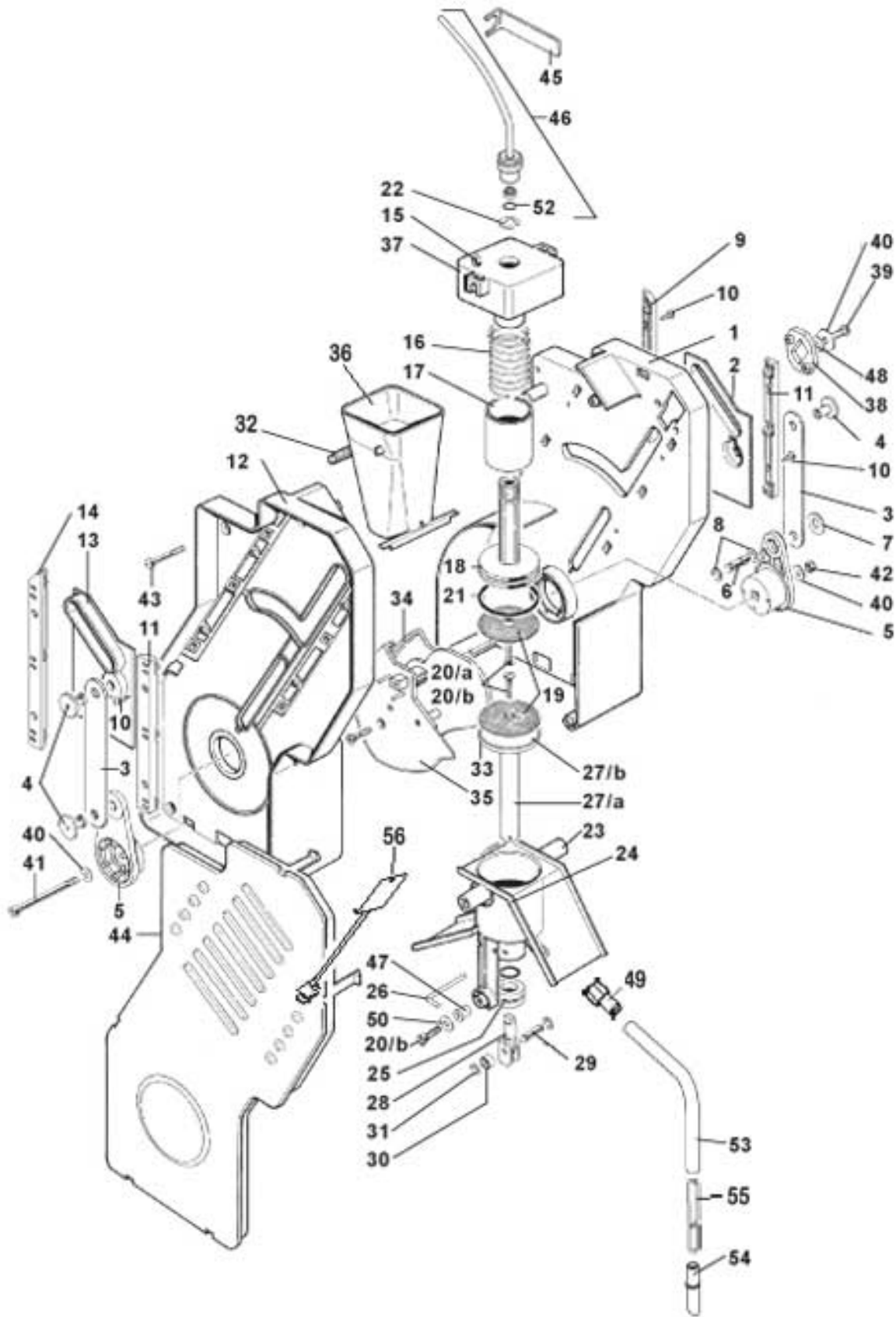
SAGOMA EUROPA - VERTICAL MILL GROUPS

Pos.	Code	Description
1	0320001525	MILLS SUPPORT W/REGULATION
	0320001525AH	MILLS SUPPORT W/REGULATION RAL 9003 SIGNAL WHITE
2	VIT0009307	6005-2RS1 BEARING
3	0320001536	WORKED LOWER MILL SUPPORT
4	0090003004	53/S GRINDER COUPLE
5	VIT0000024	M 4x8 TCB SCREW
6	0320001515	REGULATION RING NUT
	0320001515AH	REGULATION RING NUT RAL 9003 SIGNAL WHITE
7	VIT0002015	STAINLESS STEEL SCREW TBC 3.5 x 9.5 INOX
8	GUA0000101	SILICONE 3262 OR
9	0320001514	REGULATION SCREW
	0320001514AH	REGULATION SCREW RAL 9003 SIGNAL WHITE
10	VIT0006506	D.7 RADIAL STOP RING
11	0320001533	CONTRAST SPRING
12	0320001538	LOWER MILL BODY STOPPER
13	0320001513	UPPER CARTER
	0320001513AH	UPPER CARTER RAL 9003 SIGNAL WHITE
14	VIT0009202	M 4 CONNECTION FOR THERMOPLASTIC
15	0320001521	SENSOR COVER
	0320001521AH	SENSOR COVER RAL 9003 SIGNAL WHITE
16	VIT0002107	2,9x6,5 TAPPING TSP SCREW
17	0320001512	TRANSMISSION SHAFT
18	VIT0005101	3 x 16 SPIROL PIN
19	0320001524	COVER
	0320001524AH	COVER RAL 9003 SIGNAL WHITE
20	0320001506	LOWER CARTER
	0320001506AH	LOWER CARTER RAL 9003 SIGNAL WHITE
21	VIT0009311	SKF 6002-2RS1 BEARING
22	0320001531	HEXAGONAL SHAFT PLACE PULLEY
	0320001531AH	HEXAGONAL SHAFT PLACE PULLEY RAL 9003 SIGNAL WHITE
23	0320001537	ENGINE PULLEY
24	VIT0007002	M 4 x 6 DOWEL
25	0090006006	TOOTHED BELT
26	0320001522	MOTOR SUPPORT FLANGE
27	VIT0000030	SCREW TCB M4 x 7
28	0090003045	MILL 220 V DC MOTOR CL.F BL
29	VIT0000012	SCREW T.C.B. M 4 x 10
30	VIT0003103	WASHER tab D. 4.3
31	0320001519	MILL CONTACT PROTECTION
	0320001519AH	MILL CONTACT PROTECTION RAL 9003 SIGNAL WHITE
100	0320001505CL	VERTICAL MILL WITH BELT



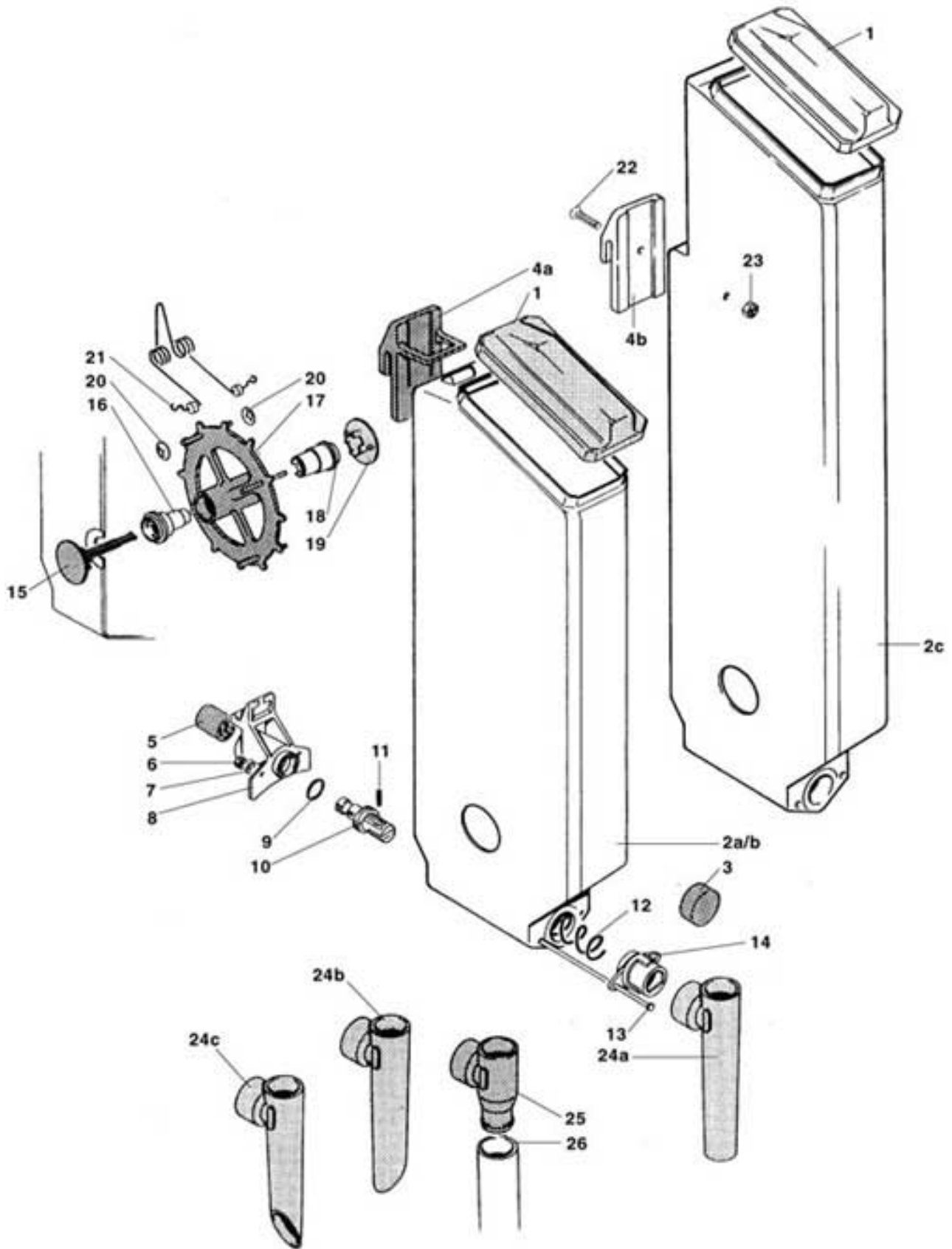
Pos.	Code	Description
1	0250008005	R.H. FRAME It's part of kit 0250008005R
2	0250008084	R.H. INFUSION CHAMBER CAM
3	0250008009	CONNECTING ROD
4	0250008028	PIN FOR CONNECTING ROD
5	0250008011	R.H. CRANK
6	0250008014	MOTOR CRANK PIN
7	0250008042	ANTIVIBRATION WASHER
8	VIT0006515	D.5 RADIAL STOP RING
9	0250008031	R.H. REAR GUIDE
10	VIT0002026	3.5x 6.5 STAINLESS STEEL TAPPING TCB SCREW
11	0250008033	FRONT GUIDE
12	0250008129	L.H. FRAME WORKED
13	0250008085	L.H. INFUSION CHAMBER CAM
14	0250008032	L.H. REAR GUIDE
15	0250008086	UPPER FILTER SUPPORT
16	0250008024	UPPER FILTER SPRING
17	0250008087	SPRING COVER PIPE
18	0250008026	D.36 UPPER FILTER
19	0250008099	FILTER
20/a	VIT0001202	M 3x14 TSP SCREW
20/b	VIT0000121	M 3x8 TSP SCREW
21	GUA0000080	SILICONE 4112 OR
22	VIT0006513	D.8 STAINLESS STEEL INSIDE SEEGER
23	0250008046R	INFUSION CHAMBER
24	GUA0000065	SILICONE OR 112
25	0250008053	LOWER INLET CUP BUSH
26	0250008029	GLASS BUSH PIN
27/a	0250008108	FILTER SUPPORT SHFT It's part of kit 0250008108R
27/b	0250008122	LOWER FILTER
28	0250008106	LOWER FILTER ROLL SUPPORT
29	0250008021	ROLL SHAFT
30	0250008022	ROLL SHAFT
31	VIT0006516	D.3.2 RADIAL STOP RING
32	0250008119	SPRING
33	0250008083	FILTER EJECTION CAM
34	0250008016	R.H. FILTER RECOVERY CAM
35	0250008017	L.H. FILTER RECOVERY CAM
36	0250008036	COFFEE CONE
37	VIT0004803	STAINLESS STEEL NUT M4
38	0250008035	SETTING PLATE
39	VIT0000032	M 4x8 INOX TCB SCREW
40	VIT0003309	4.3x16x1.5 STAINLESS STEEL FLAT WASHER
41	VIT0005523	4x60 STAINLESS STEEL TCEI SCREW
42	VIT0004810	M 4 SELFLOCKING NUT
43	VIT0002461	SCREW TCCRT 4,2 x 26
44	0250008039	L.H. FRAME COVER
	0250008039CM	L.H. FRAME COVER MERCEDES GREY RAL 9006
	0250008039IC	L.H. FRAME COVER ORANGE RAL 2011
45	0250008048	KEY FOR NUT
46	0250008192CL	WATER INLET PIPER ASSEMBLY
47	VIT0009203	M 3 CONNECTION FOR THERMOPLASTIC
48	VIT0003451	GROWER SPRING WASHER
49/a	0250008128	FEMALE RUBBERHOLDE CONNECTION
49/b	0250008132	FEMALE RUBBERHOLDE CONNECTION FOR ITALY
50	0250008088	WASHER FOR CHAMBER CAM
52	GUA0000061	2010 VITON OR
53	TSIL06/09T	TRANSPARENT SILICONE PIPE D.6 x 9
54	0380010657NA	DISPENSER PIPE
55	TNAY000001	D.6*4 POLYAMIDE PIPE
100	0250008231R2	INVERTED MICRO COFFEE GROUP S.36
102	0250008109R	D.36 LOWER FILTER+ROLL SUPPORT ASSEMBLY
103	0250008107R	LOWER FILTER ROLL SUPPORT
104	0250008108R	D.36 LOWER FILTER
105	0250008026R	D.36 UPPER FILTER ASSEMBLY
106	0250008132R	COFFEE OUTLET PIPE D.2,5 (POS.49/B+53+54+55)

assieme



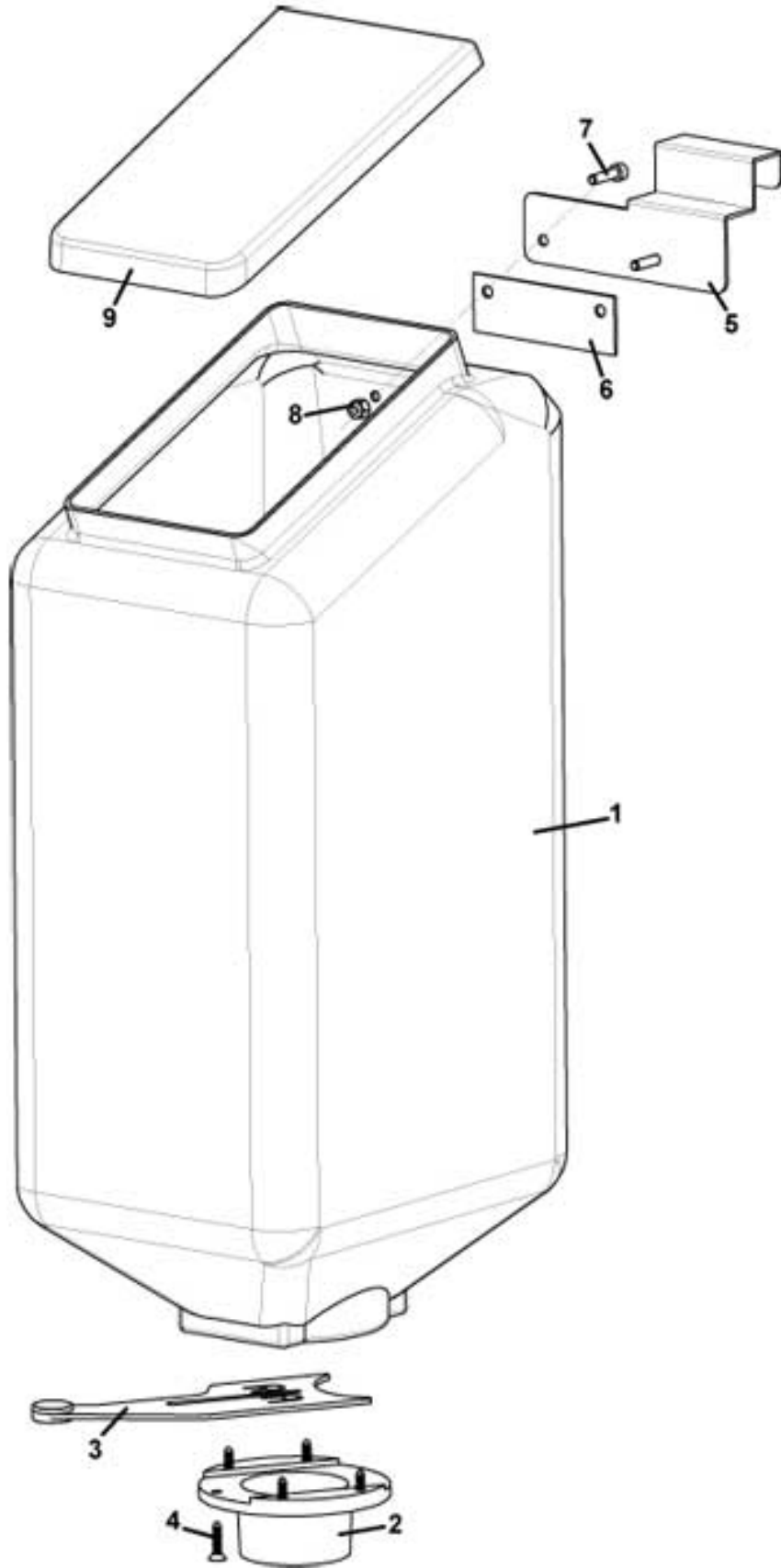
SAGOMA EUROPA - HEATED MICRO COFFEE GROUP

Pos.	Code	Description
1	0250008005	R.H. FRAME It's part of kit 0250008005R
2	0250008084	R.H. INFUSION CHAMBER CAM
3	0250008009	CONNECTING ROD
4	0250008028	PIN FOR CONNECTING ROD
5	0250008011	R.H. CRANK
6	0250008014	MOTOR CRANK PIN
7	0250008042	ANTIVIBRATION WASHER
8	VIT0006515	D.5 RADIAL STOP RING
9	0250008031	R.H. REAR GUIDE
10	VIT0002026	3.5x 6.5 STAINLESS STEEL TAPPING TCB SCREW
11	0250008033	FRONT GUIDE
12	0250008006	L.H. FRAME It's part of kit 0250008005R
13	0250008085	L.H. INFUSION CHAMBER CAM
14	0250008032	L.H. REAR GUIDE
15	0250008086	UPPER FILTER SUPPORT
16	0250008024	UPPER FILTER SPRING
17	0250008087	SPRING COVER PIPE
18	0250008026	D.36 UPPER FILTER
19	0250008019	FILTER
20	VIT0000121	M 3x8 TSP SCREW
21	GUA0000080	SILICONE 4112 OR
22	VIT0006513	D.8 STAINLESS STEEL INSIDE SEEGER
23	0250008215R	INFUSION CHAMBER WITH GROUNDS CHUTE
24	GUA0000065	SILICONE OR 112
25	0250008053	LOWER INLET CUP BUSH
26	0250008029	GLASS BUSH PIN
27/a	0250008108	FILTER SUPPORT SHFT It's part of kit 0250008108R
27/b	0250008122	LOWER FILTER
28	0250008226	ROLL SUPPORT
29	0250008021	ROLL SHAFT
30	0250008022	ROLL SHAFT
31	VIT0006516	D.3.2 RADIAL STOP RING
33	0250008083	FILTER EJECTION CAM
34	0250008016	R.H. FILTER RECOVERY CAM
35	0250008017	L.H. FILTER RECOVERY CAM
36	0250008036	COFFEE CONE
37	VIT0004803	STAINLESS STEEL NUT M4
38	0250008035	SETTING PLATE
39	VIT0000032	M 4x8 INOX TCB SCREW
40	VIT0003309	4.3x16x1.5 STAINLESS STEEL FLAT WASHER
41	VIT0005523	4x60 STAINLESS STEEL TCEI SCREW
42	VIT0004810	M 4 SELFLOCKING NUT
43	VIT0002461	SCREW TCCCRT 4,2 x 26
44	0250008039	L.H. FRAME COVER
	0250008039CM	L.H. FRAME COVER MERCEDES GREY RAL 9006
	0250008039IC	L.H. FRAME COVER ORANGE RAL 2011
45	0250008048	KEY FOR NUT
46	0250008110CL	WATER INLET PIPER ASSEMBLY
47	0250008119	SPRING
48	VIT0003451	GROWER SPRING WASHER
50	0250008213R	COMPLETE HEATING ELEMENT
51	SCH0006880	HEATING ELEMENT POWER BOARD
52	GUA0000061	2010 VITON OR
54	0250008130CL	COFFEE OUTLET PIPE ASSEMBLY
100	0250008220R	HEATED MICRO COFFEE GROUP D.36
101	0250008227R	ASSEMBLED LOWER FILTER ROLL SUPPORT



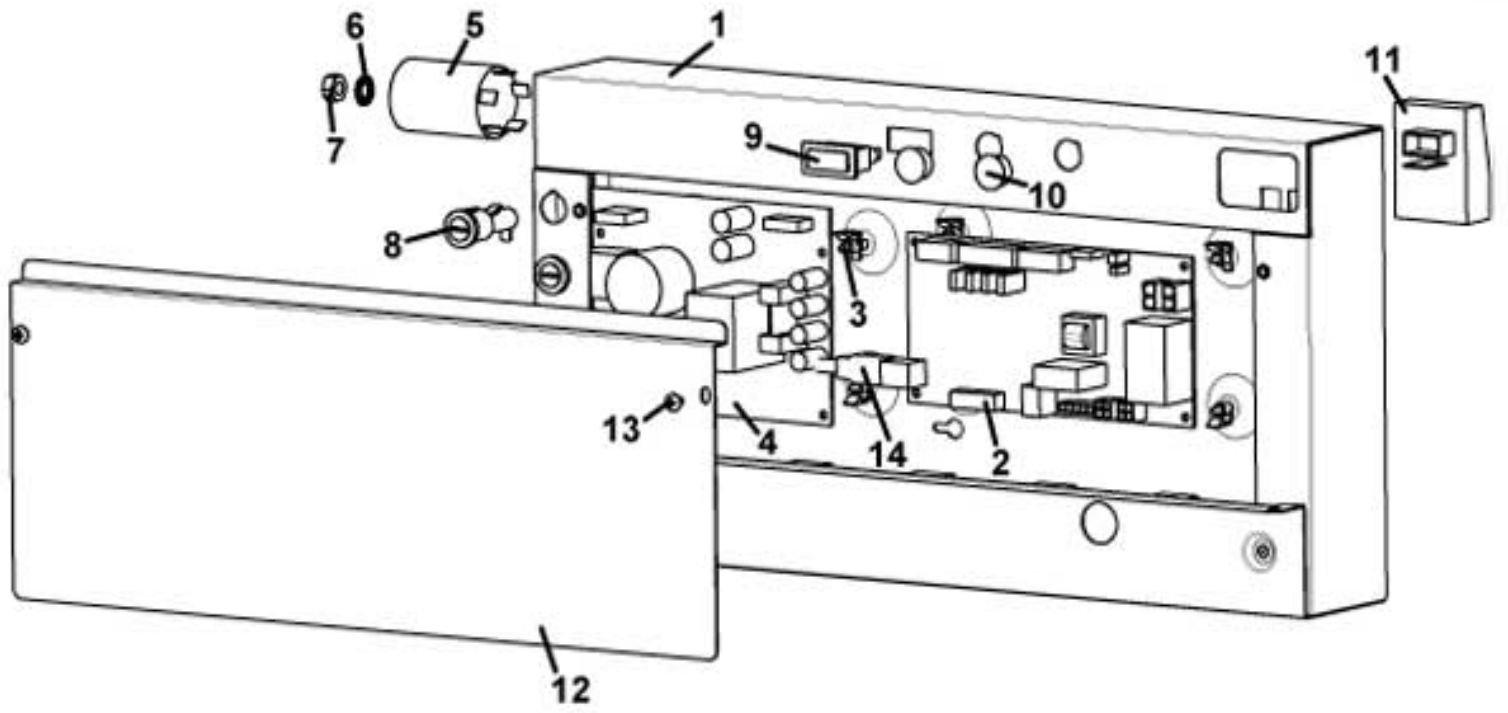
SAGOMA EUROPA - PRODUCT CONTAINERS

Pos.	Code	Description	
1	70003002	COINTAINER COVER	
2/a	70003001A	POLYETHYLENE CONTAINER WITH HOLES	It's part of kit 70003001AR
2/b	70003001B	POLYETHYLENE CONTAINER WITHOUT HOLES	It's part of kit 70003001BR
2/c	0230008003	POLYETHYLENE CONTAINER WITH H.650 HOLES	
3	4002050109		
4/a	70003003	UPPER HOOKING PLATE	
4/b	0230012018	UPPER PLATE	
5	0230012012	DRIVING RING GEAR SQUARE SEAT	
6	VIT0004803	STAINLESS STEEL NUT M4	
7	VIT0003202	STAINLESS STEEL FLAT WASHER D.4,3 x 9 x 0,8	
8	70003006	REAR SUPPORTING BUSH	
9	GUA0000015	119 OR	
10	0230012006	WORM SCREW WITH FLANGE	
11	VIT0005301	ELASTIC PIN D.2 x 14	
12/a	70003016	P.18 WORM SCREW SPRING	
12/b	0230024009	WORM SCREW SPRING P.9	
13	70003010	BUSH TIE-BOLT	
14/a	70003008	FRONT BUSH	
14/b	70003007	FRONT BUSH	
15	70003028	STOP PIN	
16	70003027	MIXER MALE BUSH	
17/a	70003012	PLASTIC MIXER GEAR	
17/b	70003014	PLASTIC MIXER GEAR	
18	70003026	MIXER FEMALE BUSH	
19	70003029	STOP DISK	
20	VIT0007102	BENZING-QUICKLOCK	
21	11837	MIXER	
22	VIT0001205	M 4x12 TSP SCREW	
23	VIT0004810	M 4 SELFLOCKING NUT	
24/a	4001003072/20	STRAIGHT PRODUCT CHUTE mm 125	
24/b	4001003072/22	L.H. PRODUCT CHUTE mm 155	
24/c	4001003072/21	R.H. PRODUCT CHUTE mm 155	
25	0230016024	SUGAR FEEDER	
26	TSIL15/19T	D.15X19 NATURAL TRANSPARENT SILICONE PIPE	
100	0230017007CL	PRODUCT CONTAINER PLATIC WHEEL P.9 ASS.	assieme
101	0230016006CL	WORM SCREW P.9 PRODUCT CONTAIN	
102	0230018009CL		
103	0230019005CL		
104	0230017008CL	PRODUCT CONTAINER PLATIC WHEEL P.18 ASSEM.	assieme



SAGOMA EUROPA - COFFEE BEANS CONTAINER

Pos.	Code	Description
1	0230030415	1 WHEEL COFFEE CONTAINER
2	0230015066	COFFEE CONTAINER BOTTOM
	0230015066NA	COFFEE CONTAINER BOTTOM BLACK
3	0230015207	RED COFFEE CONTAINER BLADE
	0230015207IC	RED COFFEE CONTAINER BLADE ORANGE RAL 2011
4	VIT0002104	2.9x 13 STAINLESS STEEL TAPPING TCB SCREW
5	0230030418	COFFEE CONTAINER CONNECTION
6	0230030426	REINFORCEMENT PLATE
7	VIT0005510	4x16 TCEI SCREW
8	VIT0004810	M 4 SELFLOCKING NUT
9	0230015057	COFFEE LITTLE CONTAINER COVER



SAGOMA EUROPA - CONTROL PANEL

Pos.	Code	Description
1	0130012205	CONTROL PANEL STRUCTURE
2	SCH0007060	RS485-1 POWER CONTROL
3	ELE0062008	BOARD SUPPORT
4	SCH0007620	SWITCH. HEATING 220V U24V-5V
5	ELE0009055	ANTIPARASITIC FILTER
6	VIT0003106	WASHER tab D. 8
7	VIT0004506	M 8 NUT
8	ELE0003507CL	FUSES HOLDER + FUSES
9	ELE0002305	10 A 250 V SOCKET
10	GUA0011010	RELEASE PLUG
11	ELE0055003CL	POWER PLUG - ASSEMBLY BLOCK
12	0130012207	CONTROL PANEL COVER
13	VIT0000030	SCREW TCB M4 x 7
14	ELT0030677	1,8T USB CABLE CONNECTION
100	0130012201CL	E CONTROL PANEL
101	0130012210CL	H CONTROL PANEL