





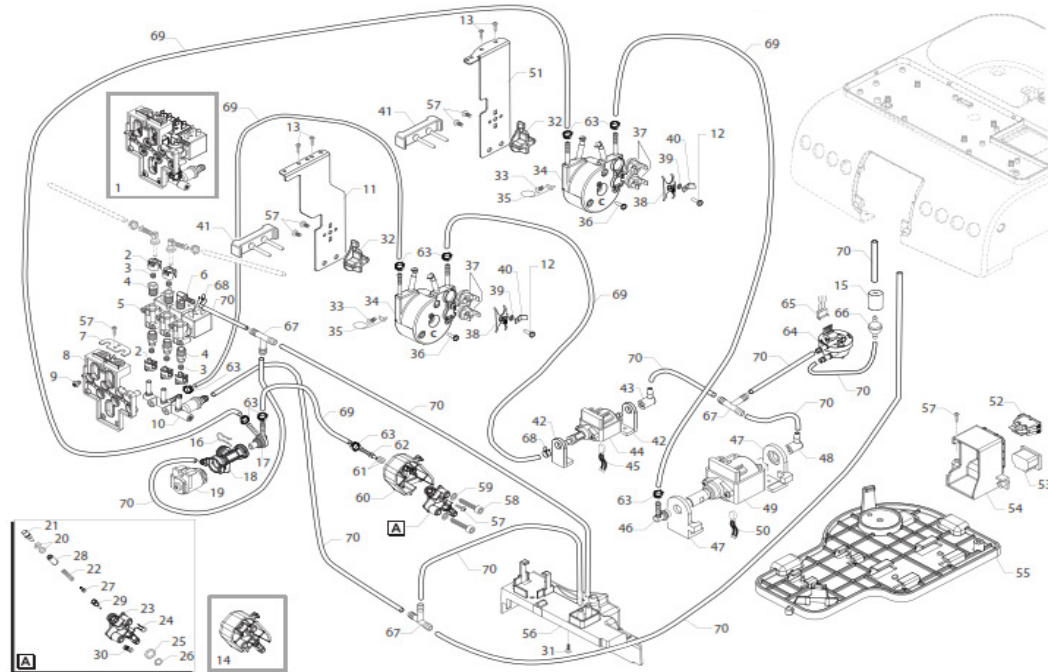








# Royal One Touch Capp.



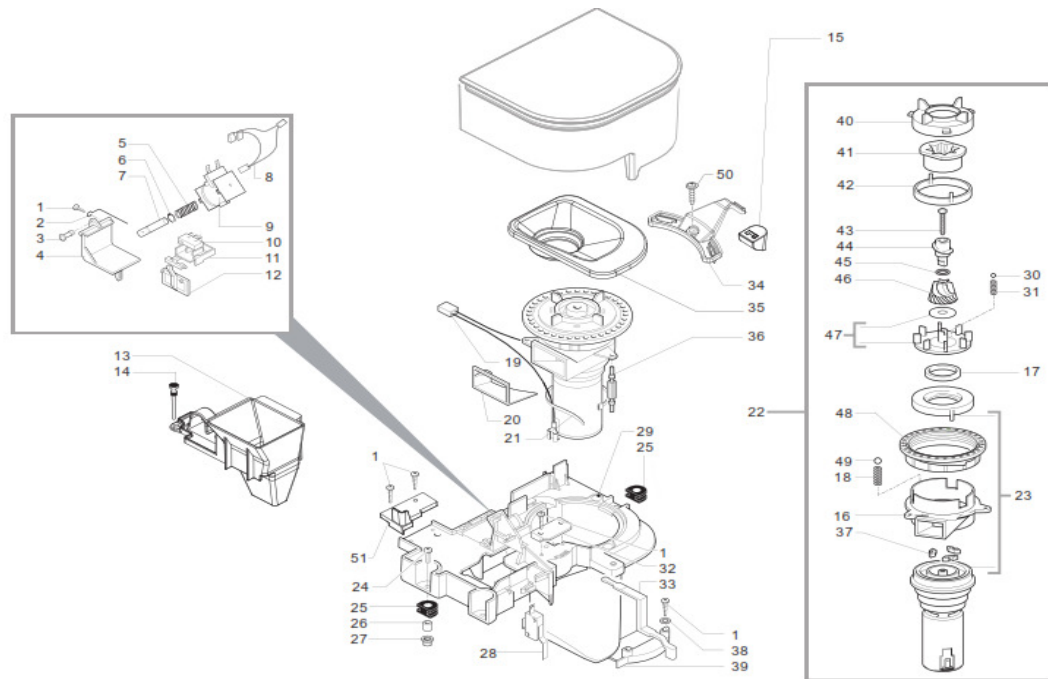
HD8930 - 47  
Royal One Touch Capp.  
E74167 Rev. 01 Code:

**Yellow = Not Available unless Special Ordered**

#	Fox Intl. Part	Canada Part	Part Description	NOTES	Italy Part
43	11012193	11012193	90° INLETCONNECTOR FOR PUMPULKAMF		
44	12001346	12001346	ULKAPUMPMF 120V-60HZ		
45	#N/A	#N/A	2POLES CONNECTOR STEAM PUMPRYLUL		17800203
46	11001054	11001054	BLK PUMPOUTLET90°CONNECTOR P0049/B		
47	11022857	11022857	BLACK PUMPSUPPORTGMYB		
48	147920150	147920150	90° INLETPUMPCONNECTOR		
49	12000140	12000140	ULKAPUMPEP5/S GW <b>230V-50HZ</b>	Not In The USA	12000140
	12000131	12000131	ULKAPUMPEP5/S GW <b>120V-60HZ</b>		
50	#N/A	#N/A	2POLES CONNECTOR COFFEE PUMPRYLUL		17800202
51	#N/A	#N/A	STEELCOFFEETUBOL_BOILER_SUPPORTRYL		17000163
52	NE03.038	NE03.038	BIPOLAR SWITCH FUSITC1250AR		
53	#N/A	#N/A	CUPSOCKETV2 EN 60320 C 13		12001645
54	#N/A	#N/A	BLACK SOCKET-SWITCH SUPPORTRYLUL USA-TWN		11028204
55	#N/A	#N/A	BLACK COMPONENTS SUPPORTRYL		17000160
56	#N/A	#N/A	BLACK DRIPTRAYPROTECTION RYL		17000165
57	12000450	12000450	SCREWTCBRTORX 10 3,5X12 PLAST.ZN-N		
58	#N/A	#N/A	GALVANIZED SELF-TAPPING SCREW 4,8X32		11003555
59	128310521	128310521	WASHER UNI 8842A5 SS		
60	#N/A	#N/A	BLACK HOTWATER PIN SUPPORTRYL		17000156
61	140328059	140328059	OR 2015 IN SILICONE PTFE/FDA		
62	11000750	11000750	TEA/BRASS CONNECTOR FOR SILICONETUBE		
63	12000892	12000892	OETIKER CLAMPD=9,5 16700004		
64	NV99.099	NV99.099	TURBINE D=1,2 932-8521/00ASSY.		
65	#N/A	#N/A	6POLES CONNECTOR FLOWMETER RYLUL		17800214
66	12001595	12001595	TRANSP/WHITEASPIRATION FILTER MDS		
67	147920300	147920300	TRANS.CONNECTOR D=8ART.80.26.047 KA.461		
68	184320200	184320200	SPRING HOSE CLAMPD=9,5MM		
69	16000380	16000380	5X8,9 SILICONETUBE IN ROLL		
70	JS01.022	JS01.022	SILICONETUBE 5X10 60SH IN ROLL		
	#N/A	#N/A	BLOWDOWN VALVE V3 RYLASSY. 120V	WITH PART.N°16-17-18-19	11028187
	#N/A	#N/A	COFFEETUB.BOILER RYLASSY. 120V-1300W	WITH PART.N°12-32-34-35-36-37-38-39-40-41-51-57	11028182
	#N/A	#N/A	STEAMTUB.BOILER RYLASSY. 120V-1300W	WITH PART.N°11-12-32-34-35-36-37-38-39-40-41-57	11028183



# Royal One Touch Capp.



HD8930 - 47 Royal One Touch Capp. E74167 Rev. 01 Code:					
Yellow = Not Available unless Special Ordered					
#	Fox Intl. Part	Canada Part	Part Description	NOTES	Italy Part
1	129913902	129913902	SCREWTORX 10 3X12 PLAST.ZN-B		
2	9161.048	9161.048	DOSER DOOR HINGE SPRING		
3	#N/A	#N/A	DOSER DOOR PIN GREY		9161.076.150
4	#N/A	#N/A	DOSER DOOR GREY		9161.074.150
5	126764818	126764818	SPRING ELECTROM.BEAN DOSER MAGIC		
6	U701.003	U701.003	SNAPRING 7 UNI 7434		
7	9161.041	9161.041	SOLENOID PLUNGER VSPRESSO		
8	#N/A	#N/A	4POLESCONNECT_COIL+DOSERMICRORRYLUL		17800211
9	#N/A	#N/A	DOSERCOILFORSUPERAUTOM.24VDCASSY.		11025734
10	NE05.017	NE05.017	MICROSWITCH		
11	9161.072.150	9161.072.150	MICRO SUPPORTCURSOR GREY		
12	9161.073.150	9161.073.150	DOSE CONTROLCOMPENSATOR GREY		
13	#N/A	#N/A	BLACK HOPPER FOR POWDER COFFEE RYL		17000176
14	9161082	#N/A	RUBBER PEG		9161.082
15	#N/A	#N/A	BLKGRINDINGADJUSTM.LEVERHANDGRIPRYL		17000351
16	9141.080	9141.080	MOTOR SUPPORT		
17	140360200	140360200	FELTRING 40X34X5		
18	#N/A	126770117	NEW SPRING SPHERE D=3,2 MOTOR MAGIG		126770117
19	#N/A	#N/A	2POLESCONNECTORGRINDERMOTORRYLUL		17800209
20	#N/A	1505014	COFFEEGRINDER SEAL		1505.014
21	#N/A	144320200	SELF LOCK STRIPW=2,6 L=200		144320200
22	9140.036.00F	9140.036.00F	COFFEE GRINDER STD ASSY. 120V USA-TWN		
23	0301.R10.00F	0301.R10.00F	SPARE MOTOR UNITMC 120V USA-TWN		
24	U043.004	U043.004	ZN-BTCB SCREW M4X16		
25	9991005	#N/A	MOTOR MOUNT, GRIDER, PROFIMAT		9991.005
26	#N/A	#N/A	SPACER FOR RUBBER		9141.003
27	#N/A	#N/A	NUTM4 FLANGED INDENTED BASE		U324.006
28	#N/A	#N/A	MICROSWITCH		12001605
29	#N/A	#N/A	GREYPLATE COFFEEGRINDER MAGIC/ROYAL		9161.365.150
30	128610521	128610521	STAIL STEEL AISI 304 SPHERE D=5,5MM		
31	126765517	126765517	STEELSPRING SPHERE D=5,5 MOTOR MAGIC		
32	#N/A	#N/A	LEVER FIXING PLATE GREY		9161.097.150
33	#N/A	#N/A	ADJUSTMENTLEVER GREYRAL7016		0313.003.150
34	#N/A	#N/A	BLACK GRINDINGADJUSTM.LEVER RYL		17000198
35	#N/A	#N/A	COFFEEGRINDERSOUNDPROOFINGCOVERRYL		17000238
36	9991.103	9991.103	COFFEE GRINDER ANTIVIBRATION		
37	#N/A	140230400	SHOCKABS_CONICALGRINDER SUPP_MAGIC		140230400
38	U201.001	U201.001	PLAIN WASHER 3,2X9 DIN 7349 GALV.		
39	#N/A	#N/A	GREYCOFFEE DOSEADJUSTMENTSCALE		9161.403.150
40	149186150	149186150	BLACK UPPER GRINDER SUPPORTMAGIC		
41	#N/A	#N/A	PARTICULARNOTAVAILABLE SEEPART.N°46		
42	142844550	142844550	UPPERGRINDERCOVERCOFFEEGRIND.MAGIC		
43	#N/A	129931002	TORX SCREW T10TCB 3,5X40 SX ZNG		129931002
44	147470763	147470763	INCREASESCREW PIN COFFEEGRINDERMAGIC		
45	U201.002	U201.002	PLAIN WASHER 10X16X0,2DIN 988 GAL		
46	#N/A	226477700	KIT TITMILLGRINDERS	WITH PART.N°41	226477700
47	149188750	149188750	CONICALGRIND. SUPP. + RING MAGIC		
48	#N/A	146570950	RINGNUTFORGRINDINGADJUSTMENTMAGIC		146570950
51	#N/A	#N/A	GREYCOVER FOR DOSER HOLE RYL		17001155



