

SPIDEM SUP 018M



Cod. 10001213-54-1496-98-99-1830-96-1901
Cod.10002033-34-35-36-37-2480-81-2519-43-10002795-3100-3101

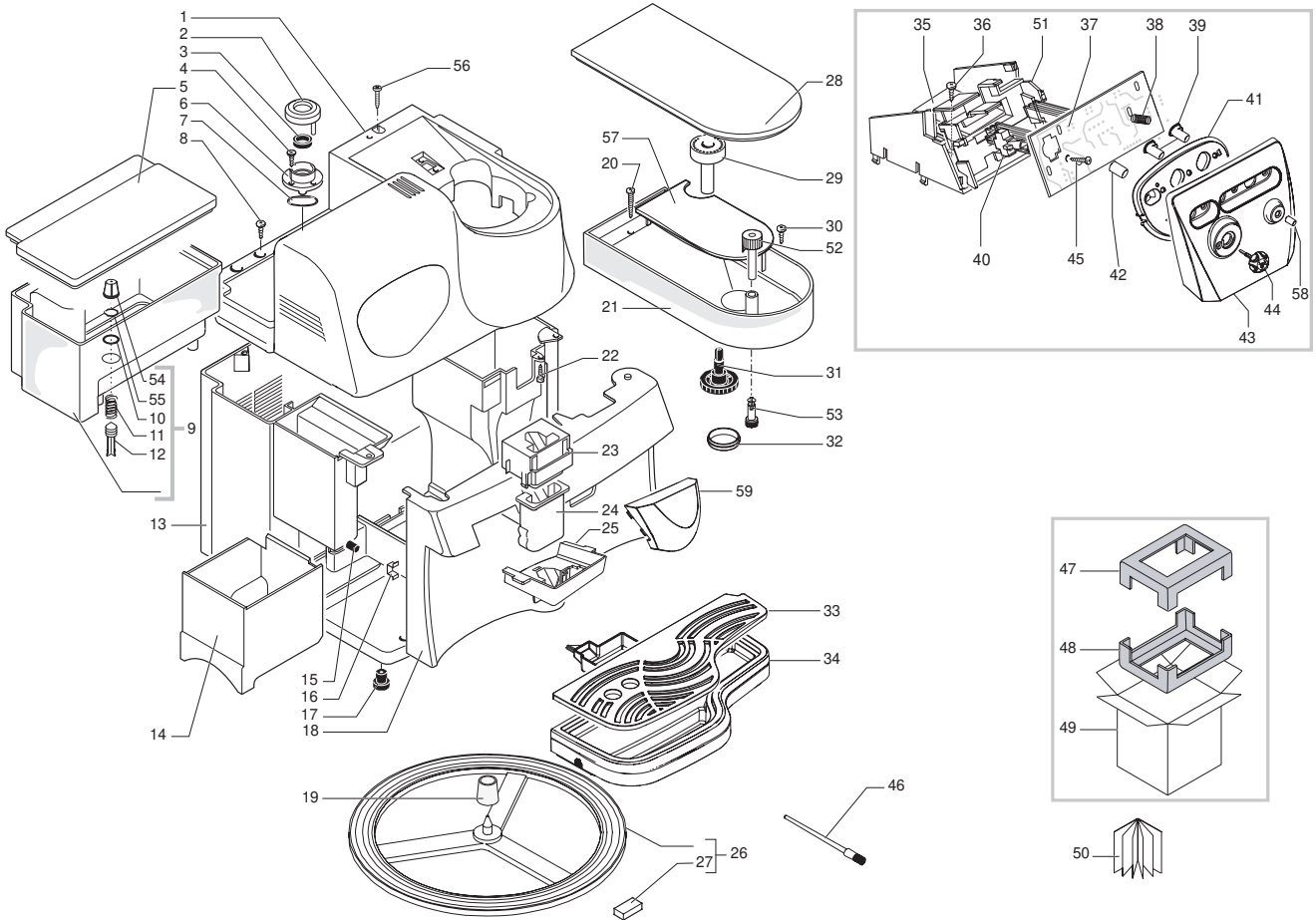
| POS | CODE | DESCRIPTION | NOTE | POS | CODE | DESCRIPTION | NOTE |
|-----|--------------|--|---------------------|-----|--------------|--|------|
| 01 | 11004021 | SILVER COVER M5000-SPID.RST.S/SCREEN | | 27 | 9991.096 | ADHESIVE FOOT 8X15X3,2 | |
| | 11006592 | BLACK COVER M5000-SPID.RST.S/SCREEN | | 28 | 0311.009.010 | WHITE COFFEE CONTAINER LID M5000 | |
| | 11006593 | SILVER COVER M5000-SPID.RST.S/SCREEN | | | 11004499 | CARBONA COFFEE CONTAINER LID M5000 | |
| | 11009118 | RED/3003 COVER M5000-SPID.RST.S/SCREEN | | | 11007685 | BLACK/TXT COFFEE CONTAINER LID M5000 | |
| 02 | 0701.031.150 | SEAL COVER GREY | | | 0311.009.580 | SILVER COFFEE CONTAINER LID M5000 | |
| 03 | 145842900 | WATER CONTAIN.VALVE SEAL GACO DIM14 | | 29 | 9141.051.490 | GRINDING ADJUSTMENT KNOB | |
| 04 | 129535721 | SCREW TSP3,5X9,5 DIN 7982 SS | | 30 | U109.029 | screw AUT.TCB 3,5X32 DIN 7981 C | |
| 05 | 0311.008.010 | WHITE LID FOR WATER CONTAINER M5000 | | 31 | 146000850 | GEAR COFF. GRIND. ADJUSTMENT COMBI | |
| | 11004498 | CARBONA WATER CONTAINER LID M5000 | | 32 | 9161.270 | SEAL FOR COFFEE CONTAINER | |
| | 0311.008.580 | SILVER WATER CONTAINER LID M5000 | | 33 | 11003456 | TXT/BLACK GRATE M5000-SPID. | |
| | 11007684 | BLACK/TXT WATER CONTAINER LID M5000 | | 34 | 11003453 | BLACK DRIP TRAY M5000-SPIDEM | |
| 06 | 0701.014.150 | SEAL CONTAINER GREY | | | 11003454 | SILVER DRIP TRAY M5000-SPIDEM | |
| 07 | 0312.022 | SEAL FOR VALVE CONTAINER | | 35 | 11006299 | BLACK SUPP. FOR ELECTRONIC CARD M5000 | |
| 08 | U143.007 | SCREW TORX TCB 2,9X19 SS BUR | | 36 | 129660902 | PANELVIT TCB SCREW 3,5X12 D.7505 Z | |
| 09 | 222693880 | TRANSP/GREY WATER CONTAIN. M5000 ASSY. | | 37 | 181554658 | ELECTR.BOARD M5000-V3 + PREINF.230V | |
| | 140324362 | OR METRIC 0060-30 IN SILICONE | | | 181554655 | ELECTR.BOARD M5000-V3 + PREINF.120V | |
| 11 | 126764718 | SPRING FOR WATER CONTAINER VALVE | | 38 | 9161.220 | SPRING FOR FUNCTION BUTTON | |
| 12 | 147660562 | GREY WATER VALVE CONTAINER PISTON | | 39 | 11004602 | BLACK FUNCTION BUTTON M5000-SPIDEM | |
| 13 | 11003888 | BLACK CASING M5000 + FEET ASSY. | WITH PA. N.51-17-19 | | 11003337 | SILVER FUNCTION BUTTON M5000-SPIDEM | |
| | 0311.A03.580 | SILVER CASING M5000 + FEET ASSY. | WITH PA. N.51-17-19 | 40 | NE03.029 | ROLD SWITCH CM H1058 | |
| | 11009138 | RED/3003 CASING M5000 + FEET ASSY. | | | 186076255 | UNIP.SWITCH ROLD CM A1058 120V | |
| 14 | 11003964 | BLACK GROUNDS CONTAINER M5000 | | 41 | 11003439 | BLACK BUTTONS SUPPORT M5000-SPIDEM | 120V |
| | 0311.004.580 | SILVER GROUNDS CONTAINER M5000 | | | 11006300 | BLACK BUTTONS SUPPORT M5000-SPIDEM | 230V |
| | 11009116 | RED/3003 GROUNDS CONTAINER M5000 | | 42 | 11004604 | BLACK ON/OFF BUTTON M5000-SPIDEM | |
| 15 | 9991.105 | MAGNET D.9MM | | | 11003438 | SILVER ON/OFF BUTTON M5000-SPIDEM | |
| 16 | 0311.020 | BRACKET FOR DOOR CLOSURE | | 43 | 11006548 | WHITE FRONT PANEL M5000-SPID.RST S/SCR. | |
| 17 | 147622850 | BLACK FOOT | | | 11004024 | CARBO. FRONT PANEL M5000-SPID.RST S/SCR | |
| 18 | 11004002 | BLACK DOOR M5000-SPID.S/SCR.SPIDEM | | | 11007423 | SILVER FRONT PANEL M5000-SPID.RST S/SCR. | |
| | 11004023 | SILVER DOOR M5000-SPID.S/SCR.SPIDEM | | | 11007690 | SILVER FRONT PAN.M5000-SPID.RST S/SCREEN | |
| | 11008237 | SILVER DOOR M5000-SPID.S/SCR.ACCENTO | | | 11006591 | CARBO. FRONT PANEL M5000-SPID.RST S/SCR | |
| | 11007731 | BLACK DOOR M5000-SPID.S/SCR.FUST | | | 11007687 | BLACK/TXT FRONT PAN.M5000-SPID.RST S/SCR | |
| | 11009135 | RED/3003 DOOR M5000-SPID.S/SCR.SPIDEM | | | 11008980 | TXT/BLACK FRONT PAN.M5000-SPID.RST S/SCR | |
| 19 | 145894700 | ROTATING RING RETAINING INSERT | | 44 | 11004608 | BLACK COFF. DOSE ADJUST.KNOB M5000-SPID | |
| 20 | 129517103 | SCREW TCB3,5X38,1 DIN 7981 GALV | | | 11003460 | SILVER COFFEE DOSE ADJUST.KNOB M5000-SP | |
| 21 | 142713680 | BEAN COFFEE CONTAINER GREY | | 45 | U140.004 | PANELVIT TCB 3,0X12 DIN 7505 B GAL | |
| | 142713780 | BEAN CONT. W/SLOTS W/ DOS REG. S50 | | 46 | 127390100 | BRUSH FOR CLEANING | |
| 22 | 129670202 | PANE. TCB SCREW 3,5X16 TESTA D=8 Z | | 47 | 13000262 | UPPER INSERT POLYST.BOX M5000-SPID/REST | |
| 23 | 0311.022.380 | METAL/BLACK FIXED DISPENSING CHANNEL | | 48 | 13000263 | LOWER INSERT POLYST.BOX M5000-SPID/REST | |
| 24 | 0311.011.380 | METAL/BLACK MOBILE DISPENSING CHANNEL | | 49 | 13000241 | FLEXOGRAPH. BOX M5000 RST SPI VILLA | |
| 25 | 11003450 | BLACK DISPENSING SUPPORT M5000-SPIDEM | | | 13000643 | FLEXOGRAP.BOX V2 M5000 RST SPI VILLA ITA | |
| 26 | 0301.057.150 | ROTATING RING WITH GREY FEET | WITH PA. N.27 | | 13000548 | LITOGRAPH. BOX M5000 RST FUST PRIMOT. | |

SPIDEM

SPIDEM VILLA

Rev.04-02/10/09

TABLE 1a/3



SUP 018M



Cod. 10001213-54-1496-98-99-1830-96-1901
Cod.10002033-34-35-36-37-2480-81-2519-43-10002795-3100-3101

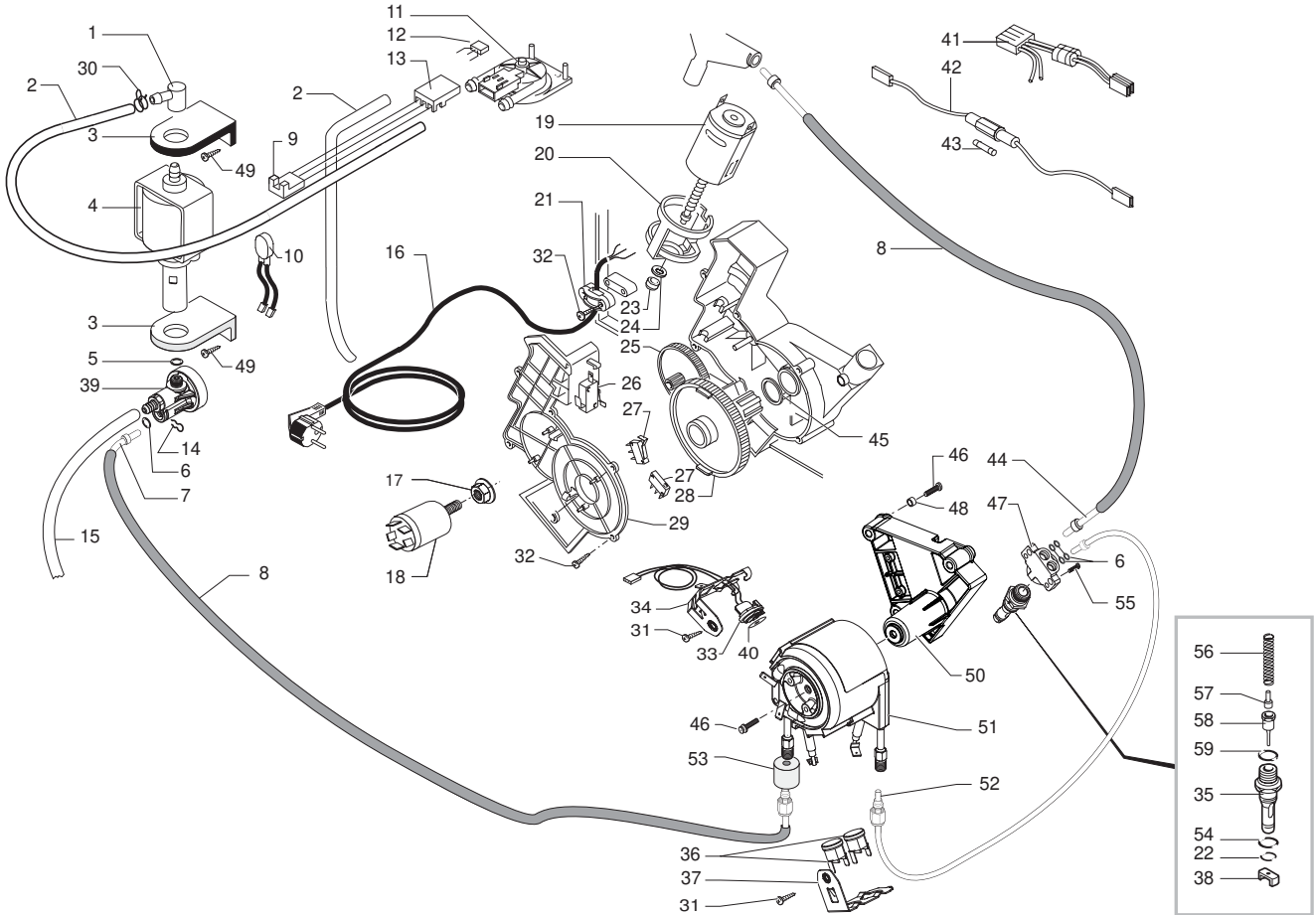
| POS | CODE | DESCRIPTION | NOTE | POS | CODE | DESCRIPTION | NOTE |
|-----|-----------|---|------|-----|------|-------------|------|
| 49 | 13000508 | FLEXOGRAP.BOX V2 M5000 RST SPI VILLA EUR | | | | | |
| 50 | 15000567 | INSTRUCT.MANUAL SUP018M RST SPIDEM VIL. | | | | | |
| | 15001142 | INSTRUCT.MANUAL SUP018M RST FUST PRIM. | | | | | |
| | 15001637 | INSTRUCT.MANUAL SUP018M RST SPI.VI.CHN | | | | | |
| | 15001872 | INSTRU.MANUAL SUP018M RST SPI VILLA GB/P | | | | | |
| 51 | 147756600 | ELECTRONICS BOARD PROTECTION M5000 | | | | | |
| 52 | 147715659 | COFFEE DOSE ADJUST. KNOB M5000 | | | | | |
| 53 | 146001850 | COFFEE DOSE ADJ.GEAR BLACK M5000 | | | | | |
| 54 | 224640200 | EXTERNAL FILTER FOR WATER CONTAINER AS. WITH PA. N.55 | | | | | |
| 55 | 140328461 | EPDM OR METRIC 0190-10 | | | | | |
| 56 | U140.009 | PANELVIT TCB 3,0X16 DIN 7505 B GAL | | | | | |
| 57 | 147755280 | BEAN CONT. PROT. + DOS ADJUST S500 | | | | | |
| 58 | 12000362 | TRANSPAREN. CAP LED COVER M5000-SPIDEM | | | | | |
| 59 | 11003464 | WHITE DISPENSING COVER M5000-SPID. | | | | | |
| | 11003466 | CARBONA DISPENSING COVER M5000-SPID. | | | | | |
| | 11007688 | BLACK/TXT DISPENSING COVER M5000-SPID. | | | | | |
| | 11007424 | SILVER DISPENSING COVER M5000-SPID. | | | | | |
| | 11008072 | CARBONA DISPENSING COVER M5000-SPID. | | | | | |
| | 11008004 | BLACK/TXT DISPENSING COVER M5000-SPID. | | | | | |
| | 11008005 | SILVER DISPENSING COVER M5000-SPID. | | | | | |
| | 11008001 | WHITE DISPENSING COVER M5000-SPID. | | | | | |



SPIDEM VILLA

Rev.04-02/10/09

TABLE 1b/3



SPIDEM SUP 018M



Cod. 10001213-54-1496-98-99-1830-96-1901
Cod.10002033-34-35-36-37-2480-81-2519-43-10002795-3100-3101

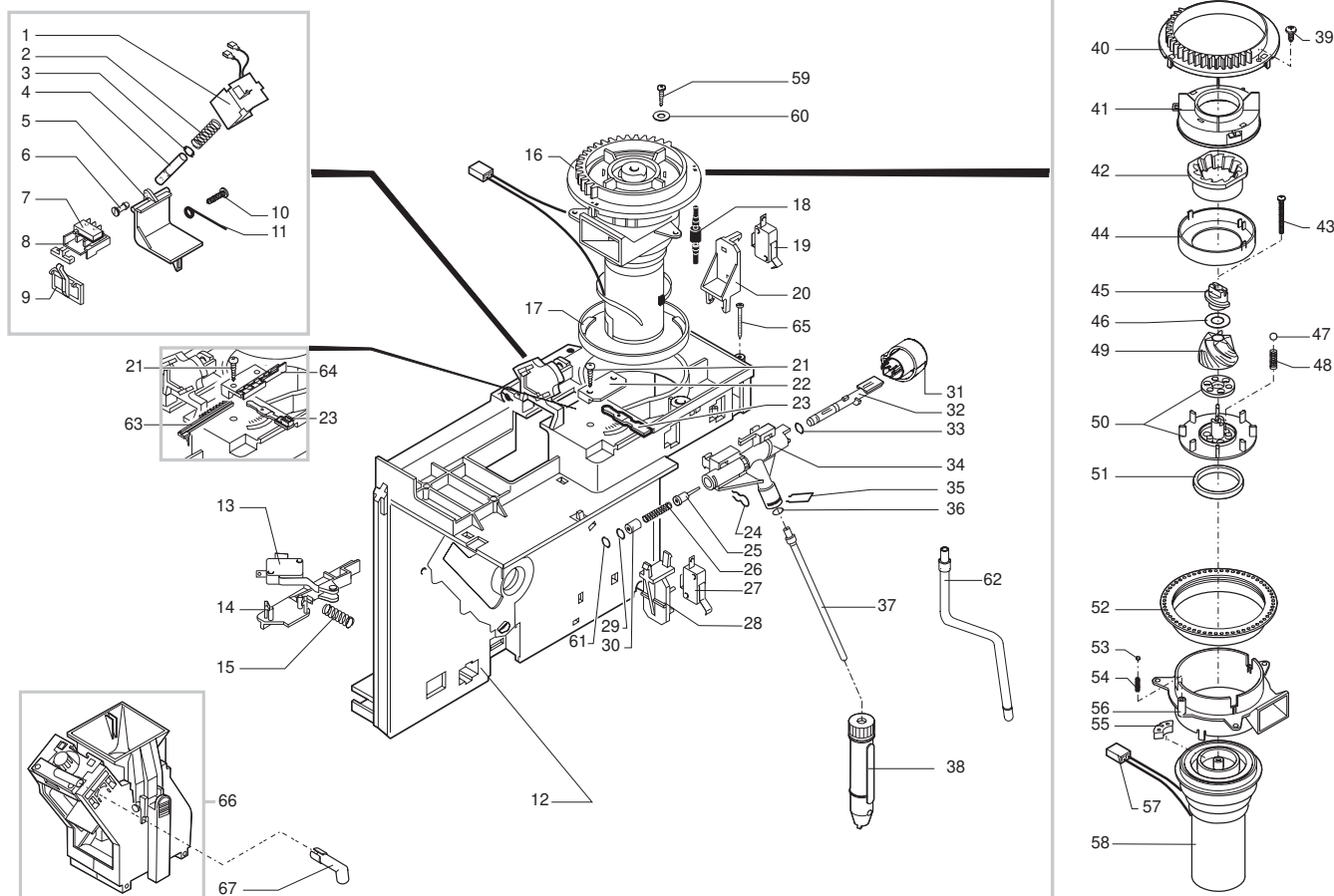
| POS | CODE | DESCRIPTION | NOTE | POS | CODE | DESCRIPTION | NOTE |
|-----|--------------|--|-------------------|-----|-----------|--|---------------|
| 01 | 147920150 | 90° INLET CONNECTOR PUMP | | 32 | 129670202 | TCB PANELVIT SCREW 3,5X16 TESTA D=8 ZNP | |
| 02 | 149360200 | SILICONE TUBE 5X8 70SR | IN ROLL | 33 | 288582300 | SENSOR ELECT.BOARD WITH CONNECTOR ASSY. | |
| 03 | 149185850 | EATON PUMP SUPPORT MAGIC 4002012 | | 34 | 126838217 | SENSOR FIXING SPRING | |
| 04 | 12000140 | ULKA PUMP EP5/S GW | 230V-50HZ | 35 | 9011.100 | PEG FOR VALVE IN PLASTIC | |
| | 12000131 | ULKA PUMP EP5/S | 120V-60HZ | 36 | 189428200 | THERMOSTAT 175° 1NT-08L-3794 | KOR |
| | 12000182 | ULKA PUMP EP5/S GW | 220V-60HZ | | 189428600 | THERMOSTAT 175° 1NT-08L-5125 | 230V-120V |
| 05 | NM02.028 | OR 2015 EPDM FDA | | 37 | 126838117 | 2 THERMOSTATS FIXING SPRING | |
| 06 | 140328059 | OR 2015 IN SILICONE PTFE/FDA | | 38 | 9011.099 | M CURSOR FOR BOILER VALVE IN PLASTIC | |
| 07 | 227874900 | CONNECTOR AS.TEFLON 2X4 L=250 MM | | 39 | 229452100 | COMPENSATION AND SAFETY VALVE 16BAR ASSY | |
| 08 | 149361200 | BLACK SILICONE TUBE 7,5X9,3 | IN ROLL | 40 | 145951600 | ELECTRIC INSULATING DISK D=16 | |
| 09 | 283542200 | 3 POLES CONNECTORS TURB.M5000 ASSY. | | 41 | | PARTICULAR NOT AVAILABLE | SEE PART.N°21 |
| 10 | 0311.807 | YELLOW HARNESS KLIXON JP 13 | 230V | 42 | 183003662 | CABLE 1 WIRE SILICONE BLUE 510 MM | 230V |
| | 289201000 | THERMAL. PROTECT 120°C CABLE.125/3 | | | 183361062 | CABLE 1 WIRE SIL.BLUE AWG18 + FUSE | 120V |
| | 289202800 | THERMAL PROTECTOR 100°C CAB.145/280 | | 43 | NE13.008 | FUSE 5,0X20 6,3A 250V DELAYED | 230V |
| 11 | 286473300 | -M-VDE TURBINE WITH SENSOR KIT | WITH PART.N° 12 | | 184950200 | FUSE T15 AMP.DELAYED | 120V |
| 12 | | PARTICULAR NOT AVAILABLE | SEE PART.N°11 | 44 | 11002649 | CONNECTOR AS.TEFLON 2X4 L=480 MM | |
| 13 | 9161.018 | BRACKET FOR TURBINE | | 45 | 9161.132 | MYLAR WASHER FOR RATIOMOTOR | |
| 14 | 9011.144 | FORK FOR TUBE D.4 | | 46 | 129932502 | SCREW TCEI 5X30 PLAST.ZN-B | |
| 15 | JS01.022 | SILICONE TUBE 5X10 60 SHORE | IN ROLL | 47 | 147922700 | BOILER SUPPORT CONNECTOR | |
| 16 | 183910450 | POWER CABLE SCHUKO BLACK L=1500 | | 48 | 9161.206 | INSULATING SPACER FOR BOILER | |
| | 183922060 | POWER CABLE SJT3C USA GREY 5F.L1590 | | 49 | 129517302 | SCREW TCB3,9X9,5 DIN 7981 GALV | |
| | 11002892 | GREY POWER CABLE TAIWAN HVCTF L=1440 | | 50 | 11011420 | V2 SUPPORT FOR ALUM.BOILER TYPE M5000 | |
| | 183930250 | POW.CABLE CH BLACK H05+3FAST.L=1500 | | 51 | 282058858 | ALUM.BOILER WITH RESISTANCE | 230V-1100W |
| | 11001845 | BLACK POW.CABLE KOREA H05VV-F 3X1 L=1600 | | | 282058855 | ALUM.BOILER WITH RESISTANCE | 120V-1100W |
| | 11000706 | POWER CABLE SJT3C USA BLACK 5F.L=1590 | | 52 | 227876800 | CONNECTOR TEFLON 2X4 L=235 MM ASSY. | |
| | 183990950 | BLACK POWER CABLE RVV 3X1 CHINA L=1590MM | | 53 | 147756562 | PROTECTION FOR FOLK SPRING TUBE D=4 | |
| | 11003361 | GREY POWER CABLE BRAZIL 5F.L=1590 | | 54 | NM01.035 | OR ORM 0090-20 SILICONE | |
| 17 | 123453602 | FLANGE NUT M8 TOOTHED BASE GALV. | | 55 | 129910103 | HI -LO TC SCREW 3,5X15 RIF.910189 | |
| 18 | 184651100 | ANTIDISTURB FILTER 0,47X2+1000Y2+0,5L | 230V | 56 | 9011.132 | SPRING FOR PIN | |
| 18 | 184651500 | ANTIDISTURB FILTER 16A FNC 1610474472A | 120V | 57 | 11009013 | TEA/BRASS PIN FOR PISTON L=10 | |
| 19 | 11003037 | MOTOR FOR RATIOMOTOR ASSY. | WITH PART.N°20-41 | 58 | 11009019 | TEA/BRASS PISTON L=20,9 ASSY. | |
| 20 | 9121.044 | ANTIVIBRATION FOR MOTOR | | 59 | 140320459 | OR ORM 0080-20 IN SILICONE PTFE/FDA | |
| 21 | 148600600 | CABLE CLAMP V0 MAGIC ESP COMBI UL | | | 11010718 | AL.BOILER WITH RESISTANCE V3 M5000 230V | |
| 22 | NM01.057 | OR ORM 0050-20 SILICONE | | | 282132855 | AL.BOILER WITH RESISTANCE M5000 120V | |
| 23 | 9121.046 | SINTERED BUSH FOR MOTOR | | | 11000424 | AL.BOILER WITH RESISTANCE V3 M5000 120V | |
| 24 | 148380200 | WASHER BAKELIZZATE D=5,5 | | | 289434800 | GEN.TURB.AS.W/O FILTER UNIFIED M5000 | |
| 25 | 9121.042 | GEAR Z.12/90 | | | | WITH PART.N°01-02-09-11-12-13-15-30 | |
| 26 | NE05.042 | MICROSWITCH | | | | | |
| 27 | NE05.038 | MICROSWITCH | | | | | |
| 28 | 9121.068.150 | GEAR Z=108 FOR MOUNTING PLATE M5000 | | | | | |
| 29 | 9161.200.920 | TRANSPARENT LID FOR RATIOMOTOR M5000 | | | | | |
| 30 | 184320200 | SPRING HOSE CLAMP D=9,5MM | | | | | |
| 31 | 129573202 | SCREW TCB TORX 20 M4X8 AUTOFORMING ZN-B | | | | | |

SPIDEM

SPIDEM VILLA

Rev.03-02/10/09

TABLE 2/3



SPIDEM SUP 018M



Cod. 10001213-54-1496-98-99-1830-96-1901
Cod.10002033-34-35-36-37-2480-81-2519-43-10002795-3100-3101

| POS | CODE | DESCRIPTION | NOTE | POS | CODE | DESCRIPTION | NOTE |
|-----|--------------|--|------|-----|--------------|--|----------------|
| 01 | 9129.A23.00A | WHOLE COIL M5000/S5000 | 230V | 38 | 147430150 | PANNARELLO AS. BLACK PLASTIC | |
| | 283770755 | V2 COFFEE DOSER COIL ASS. | 120V | 39 | 129511803 | SCREW TCB 2,9X6,4 DIN 7981 NICK | |
| 02 | 126764818 | SPRING ELECTROM.BEAN DOSER MAGIC | | 40 | 148650250 | SECTOR GEARGRIND ADJUSTMENT KNOB COMBI | |
| 03 | U701.003 | SNAP RING 7 UNI 7434 | | 41 | 149186150 | BLACK UPPER GRINDER SUPPORT MAGIC | |
| 04 | 9161.041 | DOSER ELECTROMAGNET CORE | | 42 | | PARTICULAR NOT AVAILABLE | SEE PART. N.49 |
| 05 | 9161.074.150 | DOSER DOOR GREY | | 43 | 129931002 | TORX SCREW T10 TCB 3,5X40 SX ZNG | |
| 06 | 9161.076.150 | DOSER DOOR PIN GREY | | 44 | 142844550 | UPPER GRINDER COVER COFFEE GRIND. MAGIC | |
| 07 | NE05.017 | MICROSWITCH | | 45 | 147470763 | INCREASE SCREW PIN COFFEE GRINDER MAGIC | |
| 08 | 149185959 | BEAN DOSER MICRO SUPORT MAGIC | | 46 | U201.002 | PLAIN WASHER 10X16X0,2DIN 988 GAL | |
| 09 | 148700559 | COFFEE DOSER DOSE ADJ. SEL. GR MAG | | 47 | 128610521 | STAIL.STEEL AISI 304 SPHERE D=5,5MM | |
| 10 | U140.004 | PANELVIT TCB 3,0X12 DIN 7505 B GAL | | 48 | 126765517 | STEEL SPRING SPHERE D=5,5 MOTOR MAGIC | |
| 11 | 9161.048 | SCRAPER ROD | | 49 | 226473500 | KIT TECNA GRINDERS | WITH PA. N.42 |
| 12 | 9161.249.150 | GREY/7016 MOUNTING PLATE M5000 ASSY. | | 50 | 9141.028 | SUPPORT FOR LOWER GRINDER | |
| | 11009326 | GREY/7016 MOUNTING PLATE M5000 UL ASSY. | | 51 | 140360200 | FELT RING 40X34X5 | |
| 13 | 186724000 | MICROSWITCH SAIA X3M502K8MCM92AU | | 52 | 146570950 | RING NUT FOR GRINDING ADJUSTMENT MAGIC | |
| 14 | 9161.202.150 | COMPENSATOR FOR GROUNDS MICRO | | 53 | 128610421 | STAIL.STEEL AISI 304 SPHERE D=3,2MM | |
| 15 | 9161.221 | SPRING GROUND.MICROSUPP.COMPENSA | | 54 | 126770117 | NEW SPRING SPHERE D=3,2 MOTOR MAGI | |
| 16 | 286883758 | GENER.MOTOR AS.M5000 (STD/V2) | 230V | 55 | 140230400 | SHOCK ABS. CONICAL GRINDER SUPP.MAGIC | |
| | 286883755 | GENER.MOTOR AS.M5000 (STD/V2) | 120V | 56 | 149186350 | BLACK GRINDER MOTOR SUPPORT MAGIC | |
| 17 | 9141.052 | COFFEEGRINDER REINFORCING RING | | 57 | 283544900 | 2POLES CONN.AS.COF.GRIN.JP1 33MH CA | 230V |
| 18 | 9991.103 | ANTIVIBRATION FOR COFFEEGRINDER | | | 283542600 | 2 P.CONN.AS. COFF.GRINDUP1 CA | 120V |
| 19 | NE05.043 | MICROSWITCH | | 58 | 9141.075.00A | MOTORE X MC MIELE WERKS NORME | 230V |
| 20 | 9161.207.150 | SUPPORT FOR FAUCET MICRO | | | 9141.075.00F | MOTOR MC MIELE WERKS NORME | 120V |
| 21 | 129660902 | PANELVIT TCB SCREW 3,5X12 D.7505 Z | | 59 | 129670202 | PANE. TCB SCREW 3,5X16 TESTA D=8 Z | |
| 22 | 147571059 | GREY LEVER FIX.PLATE W/O DOSE ADJUSTM. | | 60 | U207.004 | PLAIN WASHER 4,3X16 UNI 6592 GAL | |
| 23 | 9161.122.150 | DOSE ADJUSTMENT LEVER GREY CLASSIC | | 61 | 140328161 | OR D=3,85 X 1,90 IN EPDM | |
| 24 | 9011.144 | FORK FOR TUBE D.4 | | 62 | 129354520 | BRASS STEAM TUBE L=125.88 S5000 | |
| 25 | 11009019 | TEA/BRASS PISTON L=20,9 ASSY. | | 63 | 148740450 | TOOTHED SLIDE FOR DOSE ADJUST GEAR | |
| 26 | 126765317 | STEEL SPRING BOILER PISTON MAGIC | | 64 | 147571850 | BLACK LEVER FIXING PLATE + DOSE ADJUSTM. | |
| 27 | 186723600 | MICROSWITCH SAIA X3M502K2KAM92AS | | 65 | 129661502 | SCREW PANELVIT TCB 3X38 DIN 7505 ZN | |
| 28 | 9161.208.150 | SUPPORT FOR DOOR MICRO | | 66 | 11004181 | BLACK BREW UNIT NEW M5000 | |
| 29 | 140328059 | OR 2015 IN SILICONE PTFE/FDA | | | | SEE EXPL. COD. E90050 | |
| 30 | 11009011 | TEA/BRASS BUSH FOR FAUCET | | | | NOTE: FOR SINGLE PART. OF THE OLD GROUP | |
| 31 | 11004606 | BLACK STEAM KNOB M5000-SPIDEM | | | | COFFEE' GREY | |
| | 11003458 | SILVER STEAM KNOB M5000-SPIDEM | | | | SEE EXPL.COD. E90026 | |
| 32 | 9161.205 | STEAM TAP SHAFT | | 67 | 0311.023.150 | GREY SLEEVE FOR DISPENSER M5000 | |
| 33 | 140328561 | OR D=4,18 X 1,90 IN TERMOIL | | | 11006983 | BLACK SLEEVE FOR DISPENSER M5000 | |
| 34 | 9161.204.G | STEAM FAUCET | | | | | |
| 35 | 126764018 | SPRING D=1STEAM TUBE HOLDER JUN. | | | | | |
| 36 | 140324461 | OR METRIC 0060-20 IN TERMOIL | | | | | |
| 37 | 11001591 | ST.STEEL STEAM TUBE L=137,66 S5000 ASSY. | | | | | |