

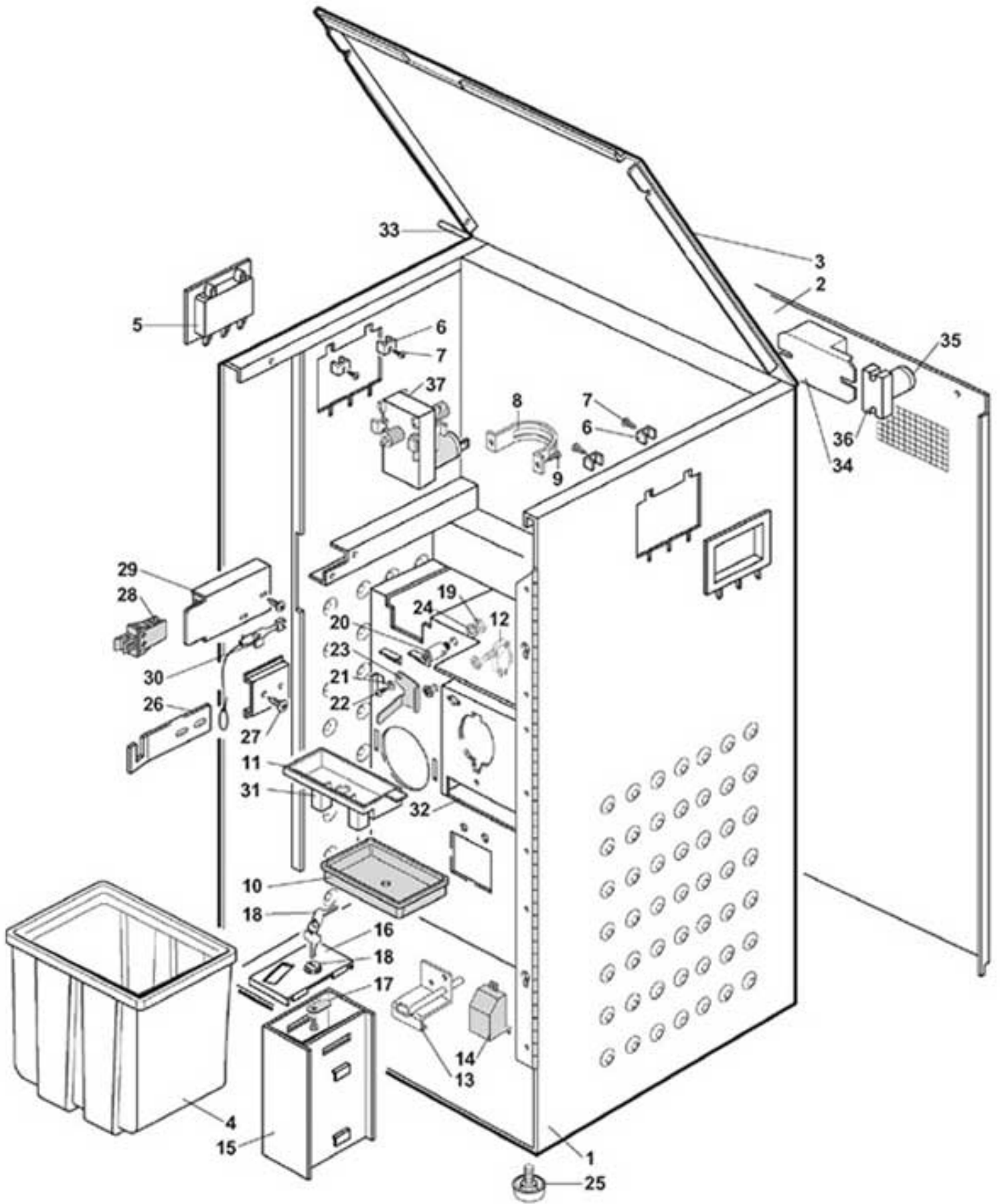
rheavendors 

vending machine

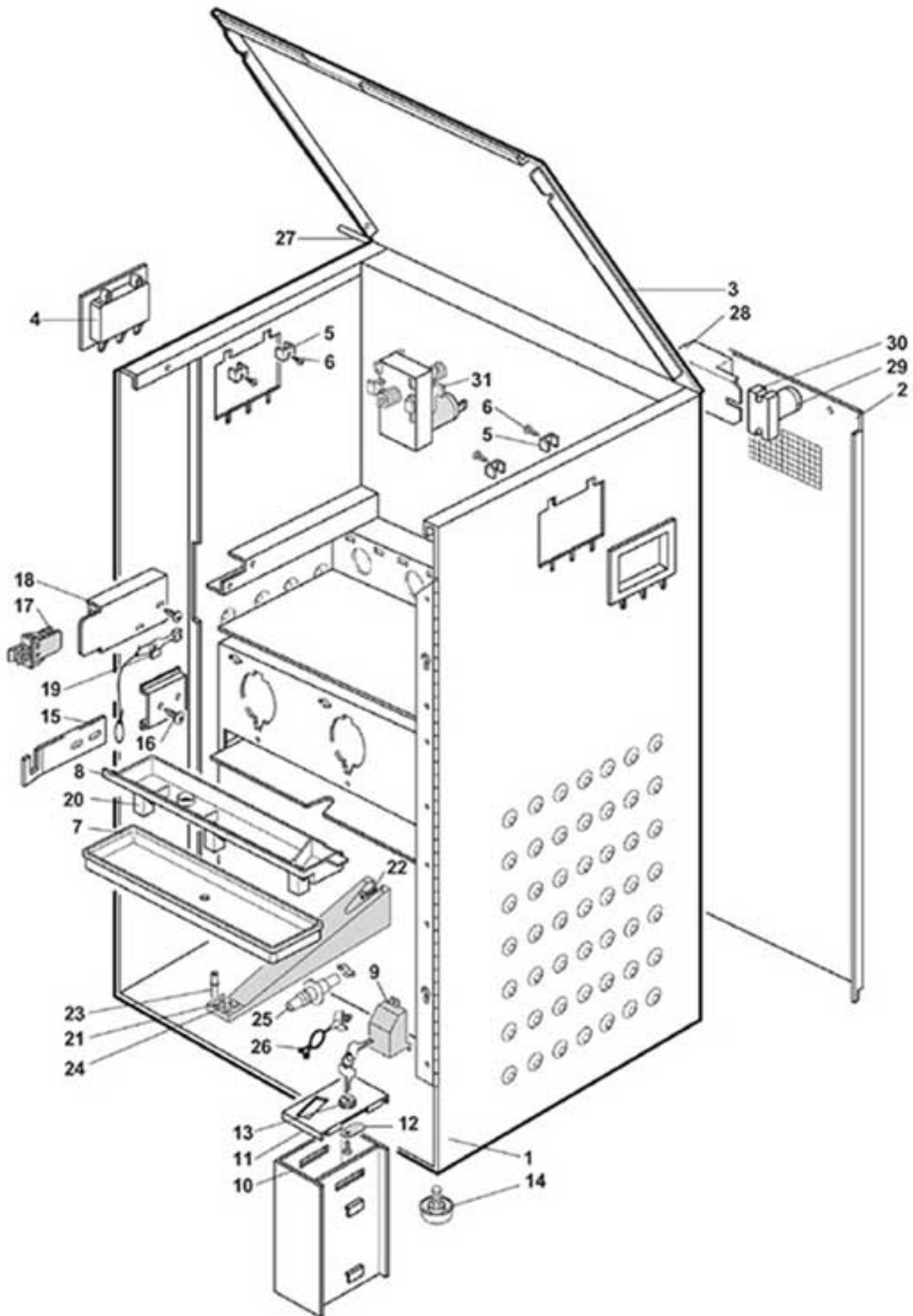
[XM]



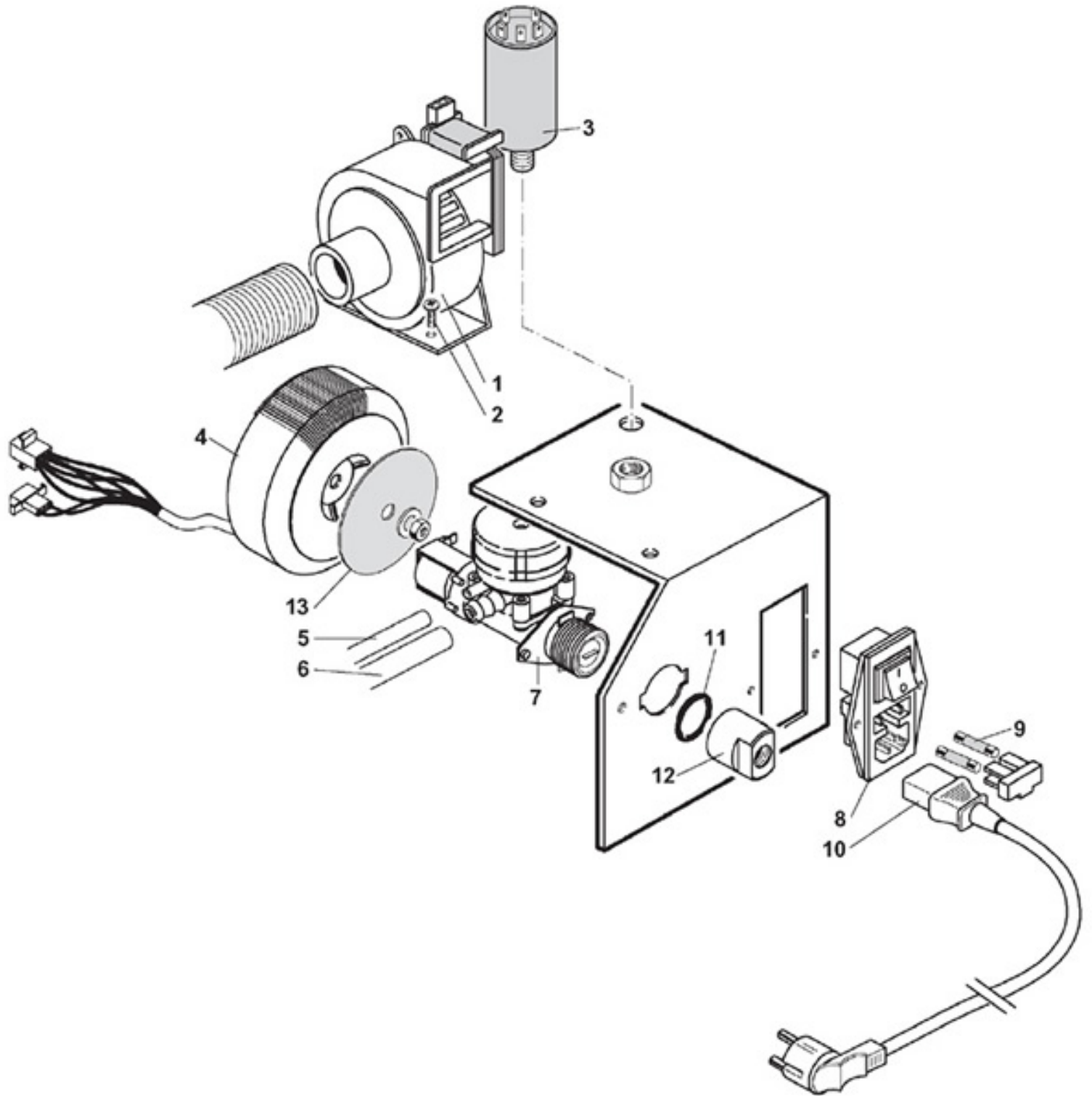
spare parts manual



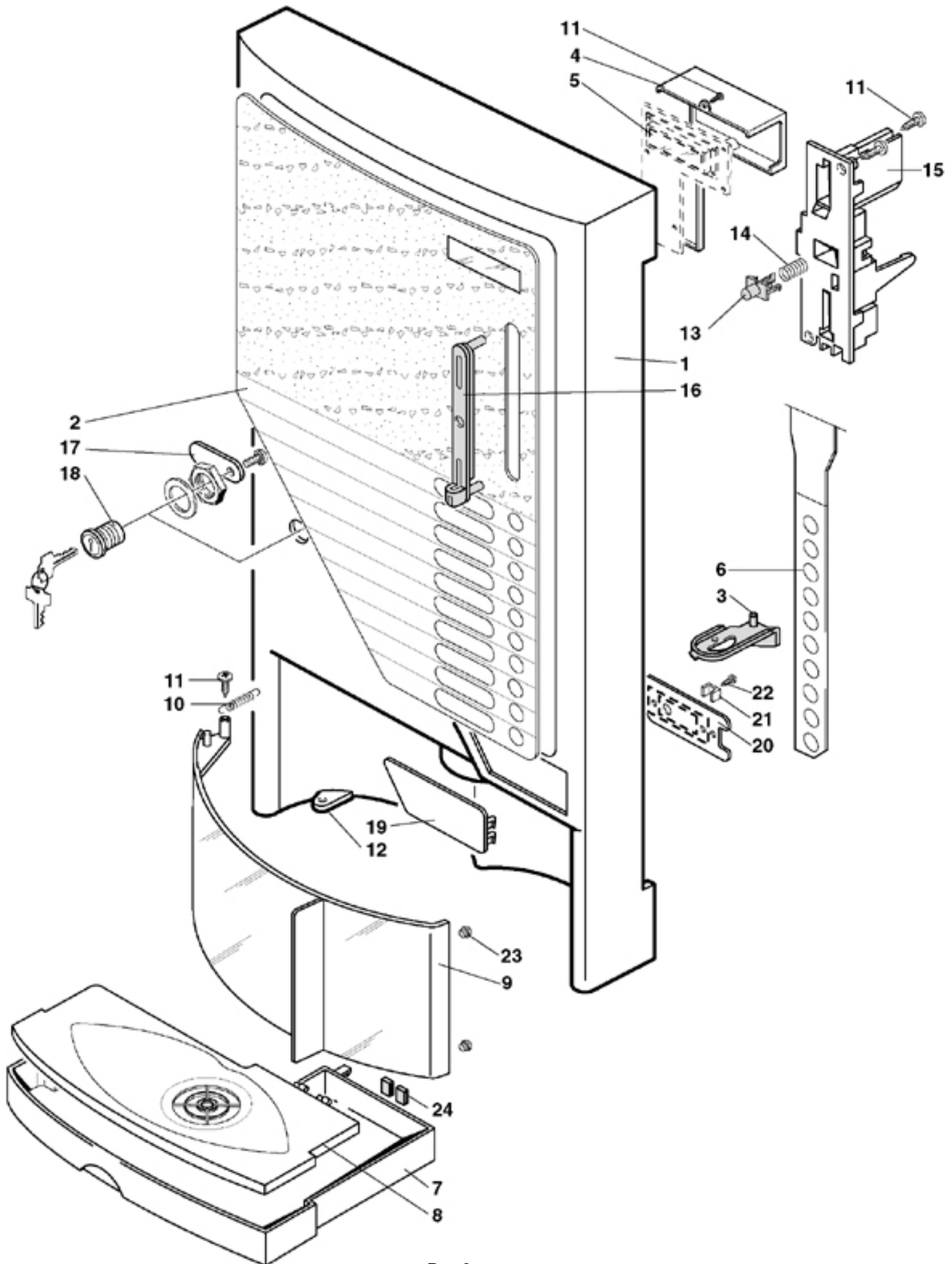
| Pos. | Code | Description | |
|------|--------------|---|---------|
| 1/a | 0010022105 | BASE CABINET STRUCTURE E (Fino a matricola 0142999) | |
| 1/b | 0010022270 | STRUTTURA ARMADIO COMPLETO E (Da matricola 0143001) | |
| 2/a | 0010022128 | E /H REAR DOOR (Fino a matricola 0142999) | |
| 2/b | 0010022275 | SPORTELLO POSTERIORE E/H (Da matricola 0143001) | |
| 3 | 0010022117 | UPPER COVER | |
| 4 | 0010022130 | GROUND CONTAINER | |
| 5 | 0010020026NA | HANDLE | |
| 6 | 4600010012 | SECURING CONNECTION | |
| 7 | VIT0002028 | TAPPING SCREW TCB 3.5 x 9.5 | |
| 8 | 0010020186 | PIPES CLIP | |
| 9 | VIT0000014 | M 4x16 TCB SCREW | |
| 10 | 0010022192 | E POWDERS COLLECTION TRAY | |
| 11 | 0010022115 | EXHAUST DRAWER | |
| 12 | ELE0001506 | MICROSWITCH 83.131.8-IW3M | |
| 13 | 0010022138 | TRAY WITH PIPE SUPPORT | |
| 14 | 0010022165 | TRAY CONTACTS SUPPORT ASSEMBLY | |
| 15 | 0010022154 | COIN BOX XM | |
| 16 | 0010022150 | COIN BOX COVER ASSEMBLY | |
| 17 | SER0001005 | LOCK BRACKET | |
| 18 | SER0000020 | LOCK 154 BOX 5 DT mm 20 RAPID | |
| 19 | VIT0004505 | NUT M6 | |
| 20 | 0010020196 | MICRO GROUP HOOKING BLOCK | |
| 21 | VIT0003301 | WASHER D.12 x 4.3 x 1.5 | |
| 22 | VIT0000030 | SCREW TCB M4 x 7 | |
| 23 | 0010020132 | GROUP CONNECTING PLATE | |
| 24 | GUA0000086 | OR 104 SILICONE | |
| 25 | 0010020169 | CABINET FEET ASSEMBLY | |
| 26 | 0010022137 | LOCK HOOK COUNTERPART | |
| 27 | VIT0000030 | SCREW TCB M4 x 7 | |
| 28 | ELE0002009 | SAFETY SWITCH | |
| 29 | 0010022157 | SWITCH SUPPORT ASSEMBLY | |
| 30 | 0270011109CL | SERVICE KEY ASSEMBLY | |
| 31 | 0010022131 | FEEDER | |
| 32 | 0010022111 | MIXER SUPPORT E | |
| 33 | 0010022124 | SHAFT UPPER COVER | |
| 34 | ELE0009116 | 220 V BALLAST | |
| 35 | ELE0009109 | STARTER | |
| 36 | ELE0009108 | L 8 W 20 LAMP | |
| 37 | 0090002113 | MR NCJM2480-X 24VDC | |
| 100 | 0010022150R | COPERCHIO CASSETTA MONETE COMPLETO | assieme |



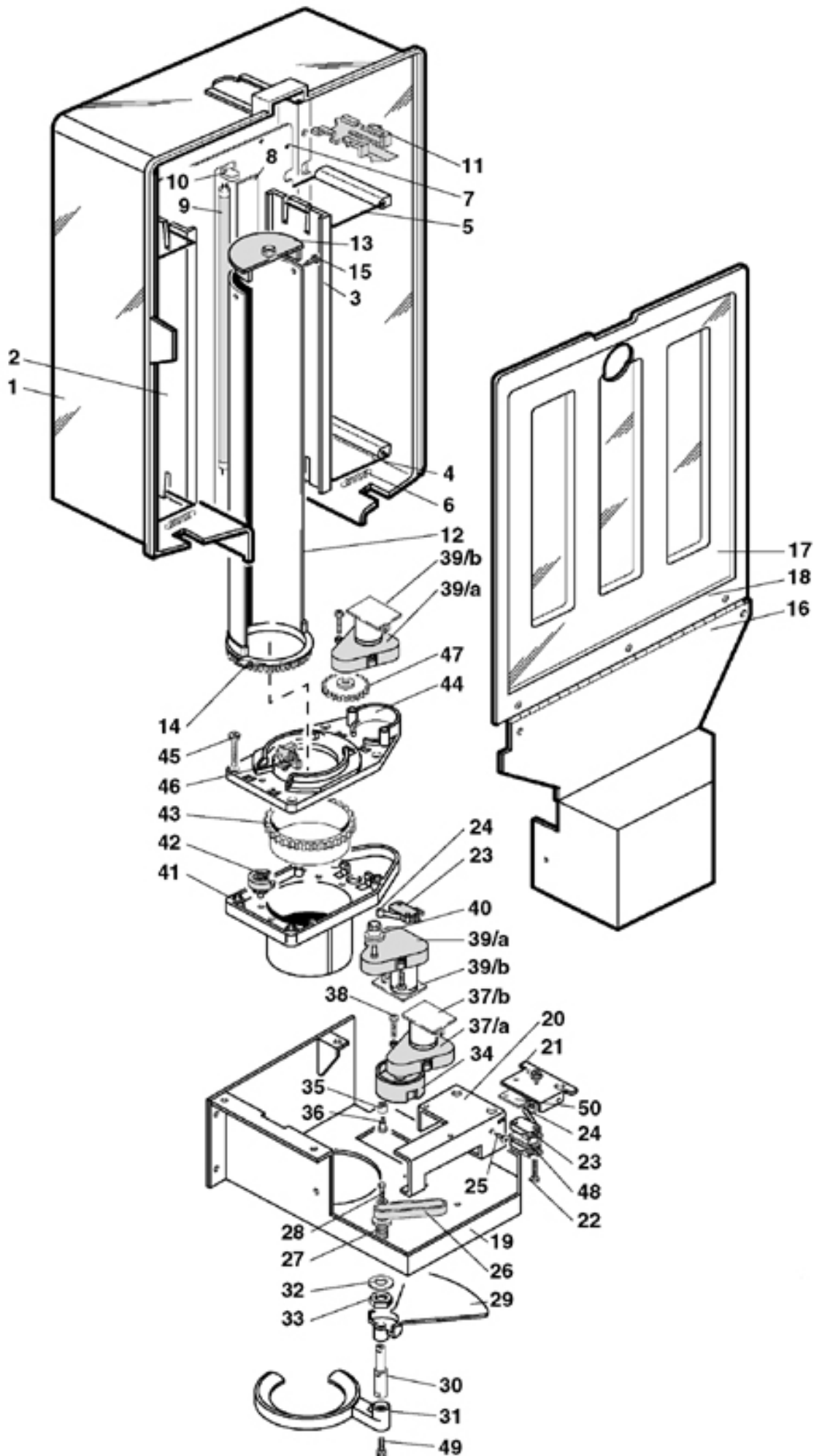
| Pos. | Code | Description | |
|------|--------------|---|---------|
| 1/a | 0010022110 | BASE CABINET STRUCTURE H (Fino a matricola 0142999) | |
| 1/b | 0010022271 | BASE CABINET STRUCTURE H (Da matricola 0143001) | |
| 2/a | 0010022128 | E /H REAR DOOR (Fino a matricola 0142999) | |
| 2/b | 0010022275 | SPORTELLO POSTERIORE E/H (Da matricola 0143001) | |
| 3 | 0010022117 | UPPER COVER | |
| 4 | 0010020026NA | HANDLE | |
| 5 | 4600010012 | SECURING CONNECTION | |
| 6 | VIT0002028 | TAPPING SCREW TCB 3.5 x 9.5 | |
| 7 | 0010022193 | H POWDER COLLECTION TRAY | |
| 8 | 0010020016 | 2-HOLE EXHAUST DRAWER | |
| 9 | 0010022165R | SUPPORTO CONTATTI VASCHETTA ASSIEMATO | |
| 10 | 0010022154 | COIN BOX XM | |
| 11 | 0010022150 | COIN BOX COVER ASSEMBLY | |
| 12 | SER0001005 | LOCK BRACKET | |
| 13 | SER0000020 | LOCK 154 BOX 5 DT mm 20 RAPID | |
| 14 | 0010020169 | CABINET FEET ASSEMBLY | |
| 15 | 0010022137 | LOCK HOOK COUNTERPART | |
| 16 | VIT0000030 | SCREW TCB M4 x 7 | |
| 17 | ELE0002009 | SAFETY SWITCH | |
| 18 | 0010022157 | SWITCH SUPPORT ASSEMBLY | |
| 19 | 0270011109CL | SERVICE KEY ASSEMBLY | |
| 20 | 0010022131 | FEEDER | |
| 21 | 0380011323 | PRODUCT PIPES SUPPORT ESTRAIBILE | |
| 22 | VIT0002401 | TAPPING SCREW TCB 3.5 x 9.5 | |
| 23 | 0380010657NA | DISPENSER | |
| 24 | 0380010656NA | PLUG | |
| 25 | 0080100013 | MIXER CONNECTION | |
| 26 | FASC000302 | LOCK | |
| 27 | 0010022124 | SHAFT UPPER COVER | |
| 28 | ELE0009116 | 220 V BALLAST | |
| 29 | ELE0009109 | STARTER | |
| 30 | ELE0009108 | L 8 W 20 LAMP | |
| 31 | 0090002113 | MR NCJM2480-X 24VDC | |
| 100 | 0010022150R | COPERCHIO CASSETTA MONETE COMPLETO | assieme |



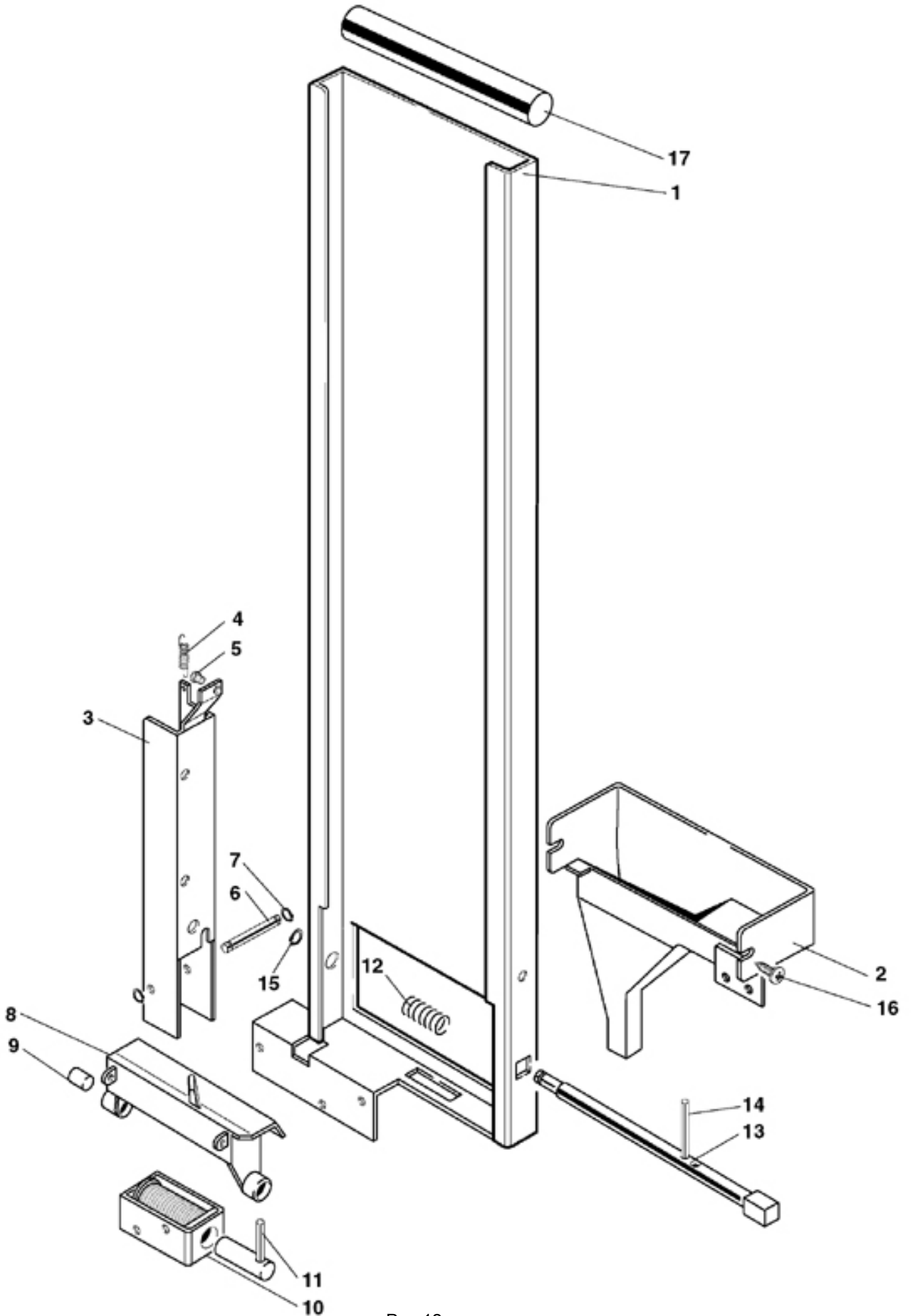
| Pos. | Code | Description |
|------|-------------|---|
| 1 | ELE0000459 | CENTRIFUGAL EXHAUSTER |
| 2 | VIT0002009 | TAPPING SCREW T.C.B. 3,5 x 6,5 |
| 3 | ELE0009057 | ANTIPARASITIC FILTER |
| 4/a | ELE0000569R | TOROIDAL TRANSFORMER ASSEMBLY |
| 4/b | ELE0000555R | TOROIDAL TRANSFORMER |
| 5 | TSIL05/08T | TRANSPARENT SILICONE PIPE D.5 x 8 |
| 6 | TSIL07/11T | TRANSPARENT SILICONE PIPE D.7 x 11 |
| 7 | 0110001058 | EV.DIS.SICUR.800.150 MOD.24VDC |
| 8 | ELE0002309 | 2 P SOCKET + EARTH + BIPOLA SWITCH+FUSES HOLDER |
| 9 | ELE0003004 | 5 A 5x20 SLOW-BLOW GLASS FUSE |
| 10/a | ELE0055008 | POWER LEAD 3 x 1 SOCKET AND SCHUKO PLUG |
| 10/b | ELE0055009 | POWER LEAD 3 x 1 WITH IEC SOCKET AND CH PLUG |
| 10/c | ELE0055010 | POWER LEAD 3 x 1 WITH IEC SOCKET AND GB |
| 10/d | ELE0055011 | POWER LEAD WITH IEC SOCKET AND USA PLUG |
| 10/e | ELE0055012 | POWER LEAD SCHUKO-SOCKET IEC 16A |
| 10/f | ELE0055013 | POWER LEAD IL IEC SOCKET |
| 11 | GUA0000021 | OR 130 |
| 12 | 0810010558 | 3/8 GAS M WATER INLET VALVE CONNECTION |
| 13 | GUA00005016 | GUARNIZIONE GOMMA TRASFORMATO |



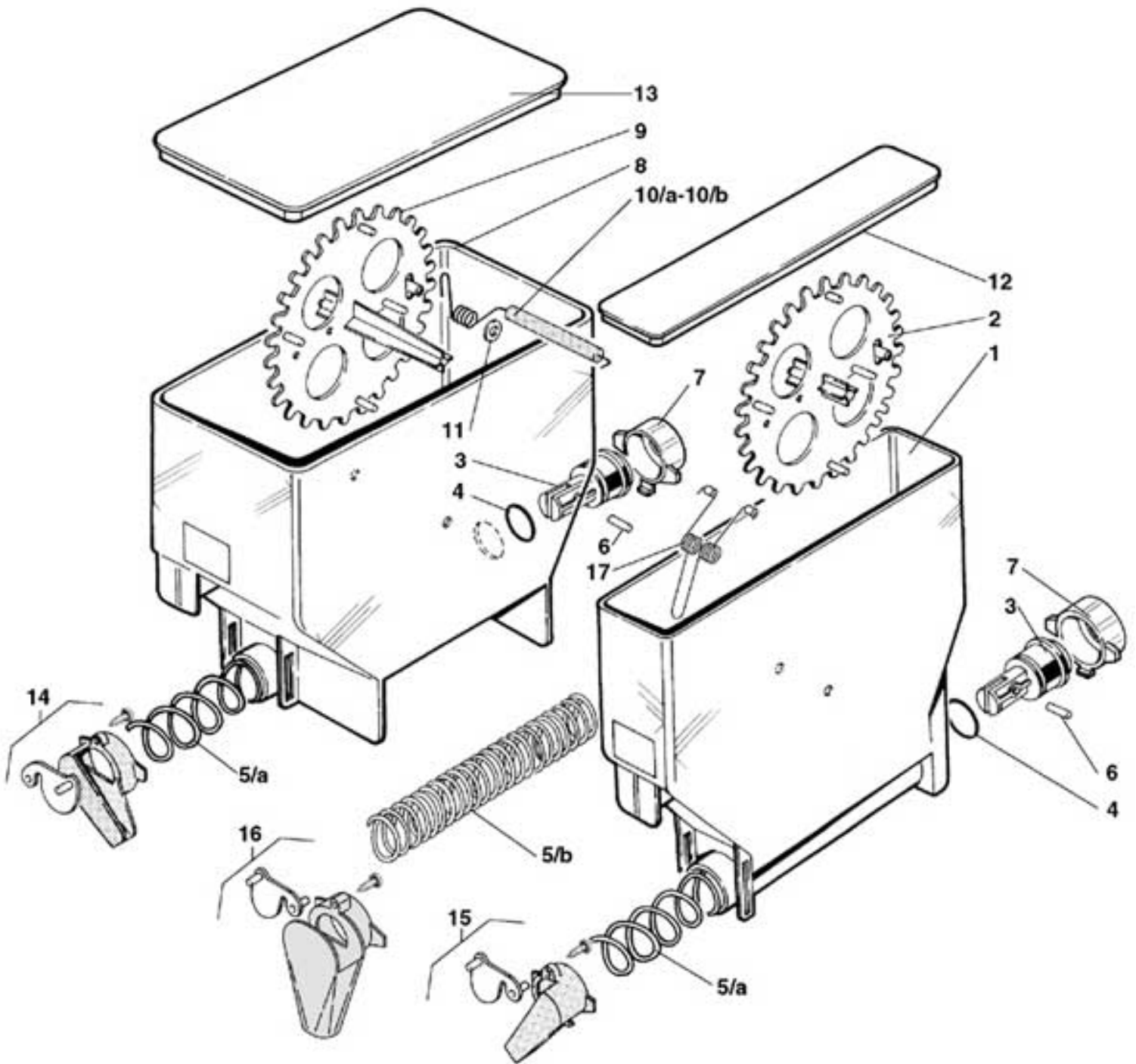
| Pos. | Code | Description |
|------|---------------|--------------------------------|
| 1 | 0020040204 | DOOR |
| 2 | 0020040241 | FRONT PANEL |
| 3 | 0020040208 | DOOR SUPPORT |
| 4 | 0020040226 | DISPLAY COVER |
| 5 | see tab. 19_2 | |
| 6 | 0020040215 | KEYBORD |
| 7 | 0020040206 | WATER TRAY |
| 8 | 0020040207 | WATER COLLECTION TRAY GRATE |
| 9 | 0020040210 | FRONT DOOR |
| 10 | 0380010431 | MOBILE WALL SPRING |
| 11 | VIT0002452 | TAPPING SCREW TCB 3.5 x 12 |
| 12 | 0020040223 | HATCH SUPPORT BRACKET ASSEMBLY |
| 13 | 0020035033KB | RED COIN RETURN BUTTON 3020 |
| 14 | 0020035034 | COIN RETURN BUTTON SPRING |
| 15 | 0020035032NA | COIN BOX SUPPORT |
| 16 | 0020035031KB | RED COIN BOX tab 153154 |
| 17 | 0020040212 | LOCK HOOK |
| 18 | SER0000001 | BOX 5 20 mm LOCK |
| 19 | 0020040233 | DOOR FRONT COVER |
| 20 | 0020040232 | FRONT COVER SECURING PLATE |
| 21 | 4600010012 | SECURING CONNECTION |
| 22 | VIT0002401 | TAPPING SCREW TCB 3.5 x 9.5 |
| 23 | 0020040235 | HATCH PLUG |
| 24 | 0020040213 | H2O TRAY CONTACT |



| Pos. | Code | Description |
|------|--------------|---|
| 1 | 0020040205 | CUPS LOADER |
| 2 | 0180005009 | LOADER SHORT WALL |
| 3 | 0180005013 | R.H. WALL ASSEMBLY |
| 4 | 0180012224 | WALL-PUSHER ARM |
| 5 | 01800012226 | WALL-PUSHER ARM |
| 6 | 0180005011 | LOADER WALL SUPPORT SPRING |
| 7 | 0020040211 | CUPS LOADER BOTTOM |
| 8 | 0020040219 | LAMP SUPPORT ASSEMBLY |
| 9 | ELE0009018 | L 8 W 20 LAMP |
| 10 | ELE0009107 | BIPLUG G 13 LAMP HOLDER |
| 11 | 0020040209 | COVER HOOK |
| 12 | 0180012227 | CENTRAL COLUMN |
| 13 | 0180005007 | CENTRAL COLUMN GUIDE |
| 14 | 0180005026NA | CENTRAL COLUMN RING NUT |
| 15 | VIT0002401 | TAPPING SCREW TCB 3.5 x 9.5 |
| 16 | 0180012219 | CONTAINER |
| 17 | 0180012222 | LOADER COVER |
| 18 | VIT0007021 | 3 x 7 ALUMINIUM RIVET |
| 19 | 0180012208 | DB SUPPORT |
| 20 | 0180012207 | FORK CAM SUPPORT |
| 21 | 0180012209 | MICRO SUPPORT |
| 22 | VIT0002009 | TAPPING SCREW T.C.B. 3,5 x 6,5 |
| 23 | ELE0001522 | 1-WAY 16 A 250 V MICROSWITCH |
| 24 | ELE0001906 | 161 E R 24.1 MICRO LEVER |
| 25 | VIT0002011 | 2.9x 9.5 TAPPING TCB SCREW |
| 26 | 0180012211 | FORK MOVEMENT PROFILE |
| 27 | 0180012216 | BUSH |
| 28 | VIT0000207 | M 5x8 H.H. SCREW |
| 29 | 0180012214 | CUP STOP |
| 30 | 0180012212 | FORK SHAFT |
| 31 | 0180012217 | CUP SUPPORT FORK |
| 32 | VIT0003004 | 5.3x10x1 WASHER |
| 33 | VIT0004504 | M 4 NUT |
| 34 | 0180012206 | FORK CAM |
| 35 | 0200001011 | CONTROL CONNECTING ROD ROLL |
| 36 | 0200001012 | ROLL PIN |
| 37/a | 0090002514 | MT.G70.C2.BL.EH.00 24V DC |
| 37/b | SCH0003740 | DC MOTORS FILTER |
| 38 | VIT0000004 | M 3x10 TCB SCREW |
| 39/a | 0090002512 | 24 V DC 10 ROM GEAR MOTOR HEXAGONAL SHAFT |
| 39/b | SCH0003740 | DC MOTORS FILTER |
| 40 | 0190006007 | FGEAR MOTOR PINION |
| 41 | 0190006003 | CUPS LOADER LOWER PLATE |
| 42 | 0190006005/L | CAM WITH PINION |
| 43 | 0190006004 | Z 66 RING NUT |
| 44 | 0190006002 | CUPS LOADER UPPER PLATE |
| 45 | VIT0000019 | M 5x35 TCB SCREW |
| 46 | SCH0003460 | CUP DETECTOR |
| 47 | 0180005004 | Z.30 PINION |
| 48 | 7500902054 | SUPPLEMENTARY INSULATION |
| 49 | 4003502021 | GROUP SECURING SCREW |
| 50 | 4600010014 | MICRO SPACER |

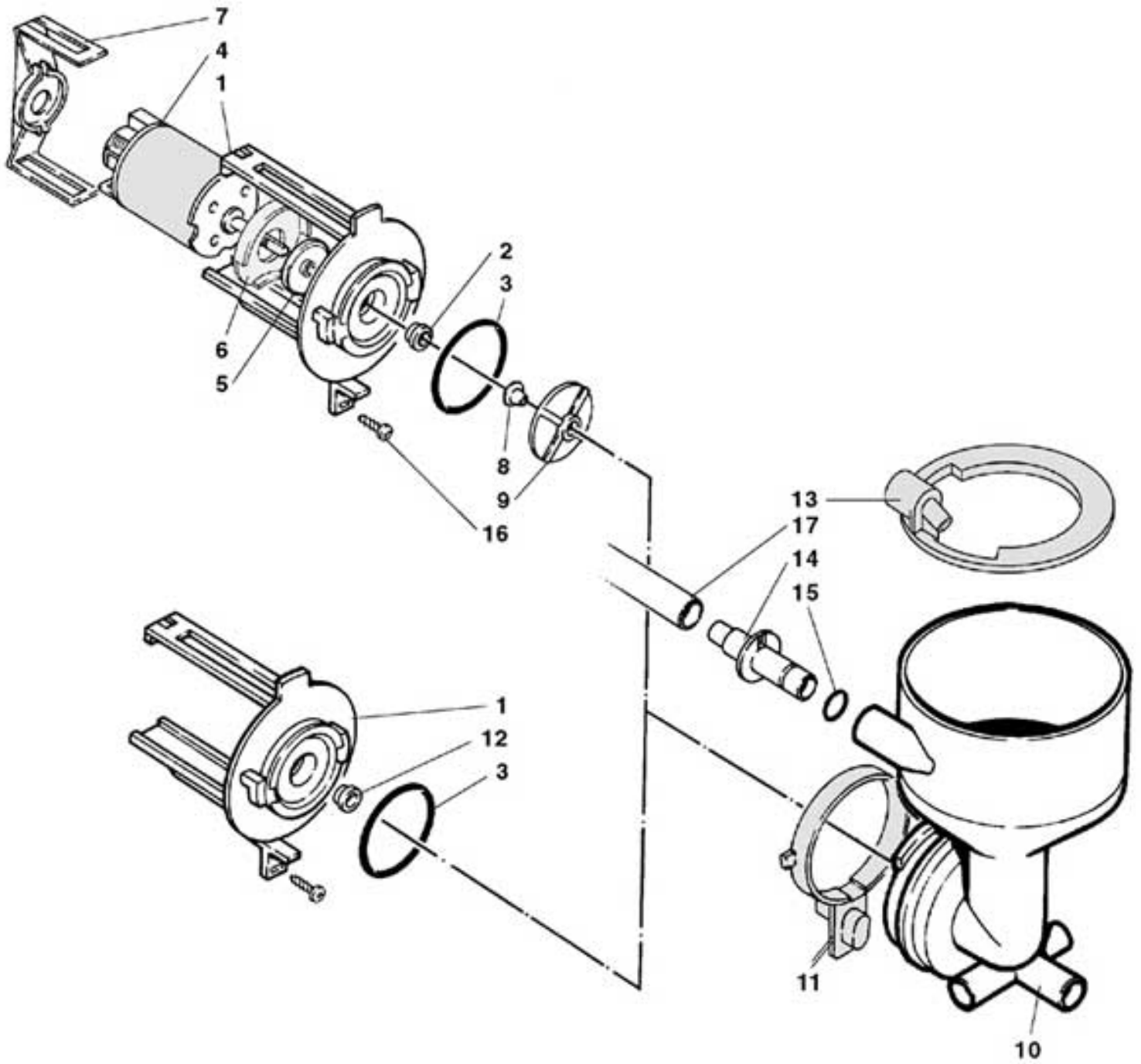


| Pos. | Code | Description | |
|------|--------------|----------------------------------|---------|
| 1/a | 0450003511 | STICKS DISPENSER 89 mm ASSEMBLY | |
| 1/b | 0450003522 | STICKS DISPENSER 104 mm ASSEMBLY | |
| 2 | 0450003507 | STICKS CHUTE | |
| 3 | 0450003512 | STICKS DISPENSER SUPPORT BRACKET | |
| 4 | 0380010431 | MOBILE WALL SPRING | |
| 5 | 0020018061 | BUTTON PLUG | |
| 6 | 4050006016 | FULCRUM SHAFT | |
| 7 | VIT0006502 | D.3.2 RADIAL STOP RING | |
| 8 | 0450002003 | STICKS DISPENSER | |
| 9 | 0450003031 | STICKS DISPENSER SPACER 104 mm | |
| 10 | ELE0000058 | ELECTR.PR3 5% 24V DC WITH FASTON | |
| 11 | VIT0005404 | KERPIN 4X35 A2 S2DIN1472 PLUG | |
| 12 | 0450002010 | STICKS DISPENSER PIN SPRING | |
| 13/a | 0450003513 | STICKS DISPENSER SHAFT 89 | |
| 13/b | 0450003524 | STICKS DISPENSER SHAFT 104 | |
| 14 | VIT0005403 | KERPIN 3X28 A2 S2DIN1472 PLUG | |
| 15 | VIT0006503 | D.4 RADIAL STOP RING | |
| 16 | VIT0002401 | TAPPING SCREW TCB 3.5 x 9.5 | |
| 17/a | 4001012030 | STICK WEIGHT 89 mm | |
| 17/b | 0450003033 | STICK WEIGHT 104 mm | |
| 100 | 0450003500CL | STICKS DISPENSER 89 XM | assieme |
| 101 | 0450003520CL | STICKS DISPENSER 104 XM | assieme |

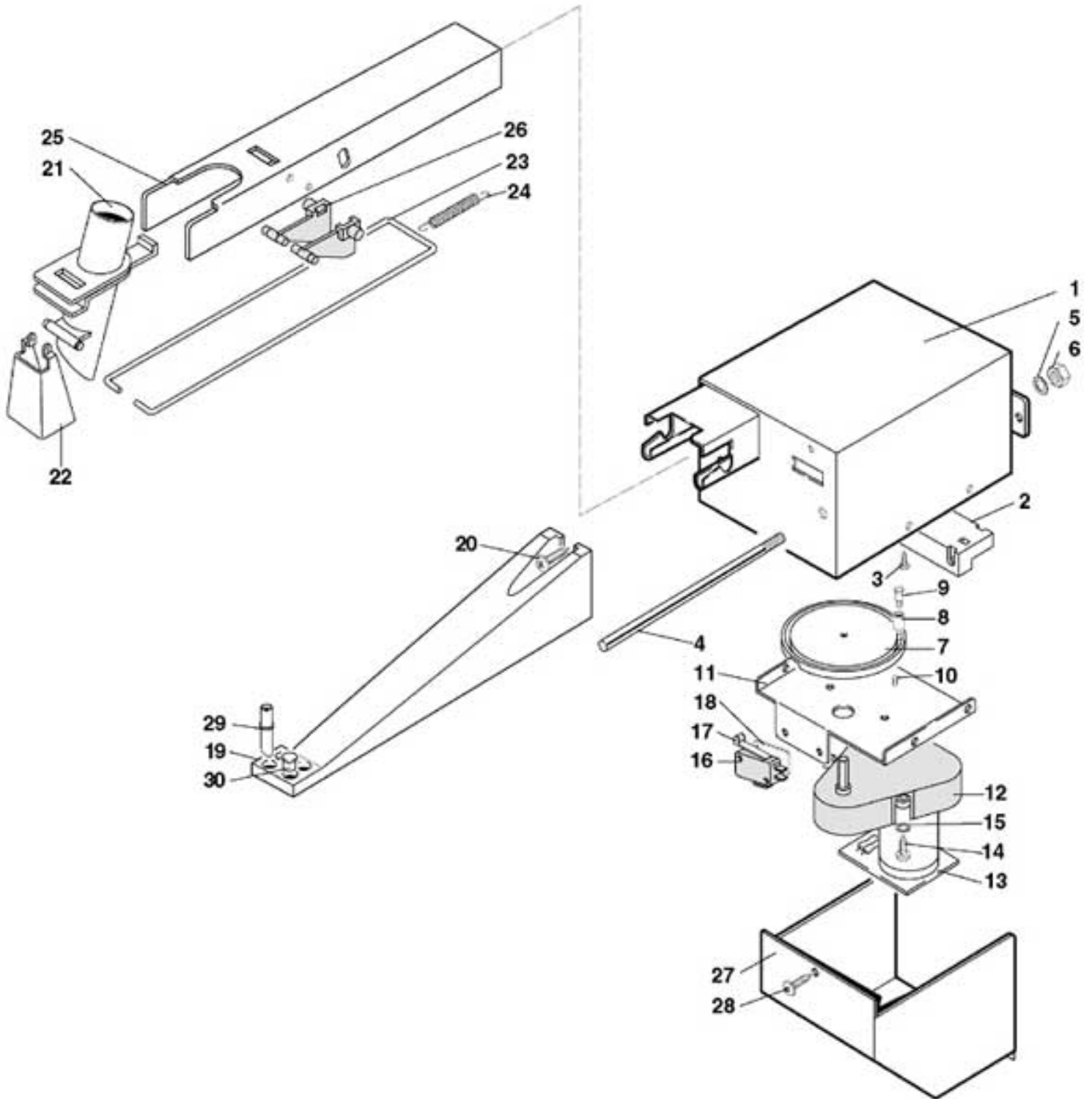


XM - PRODUCTS CONTAINER

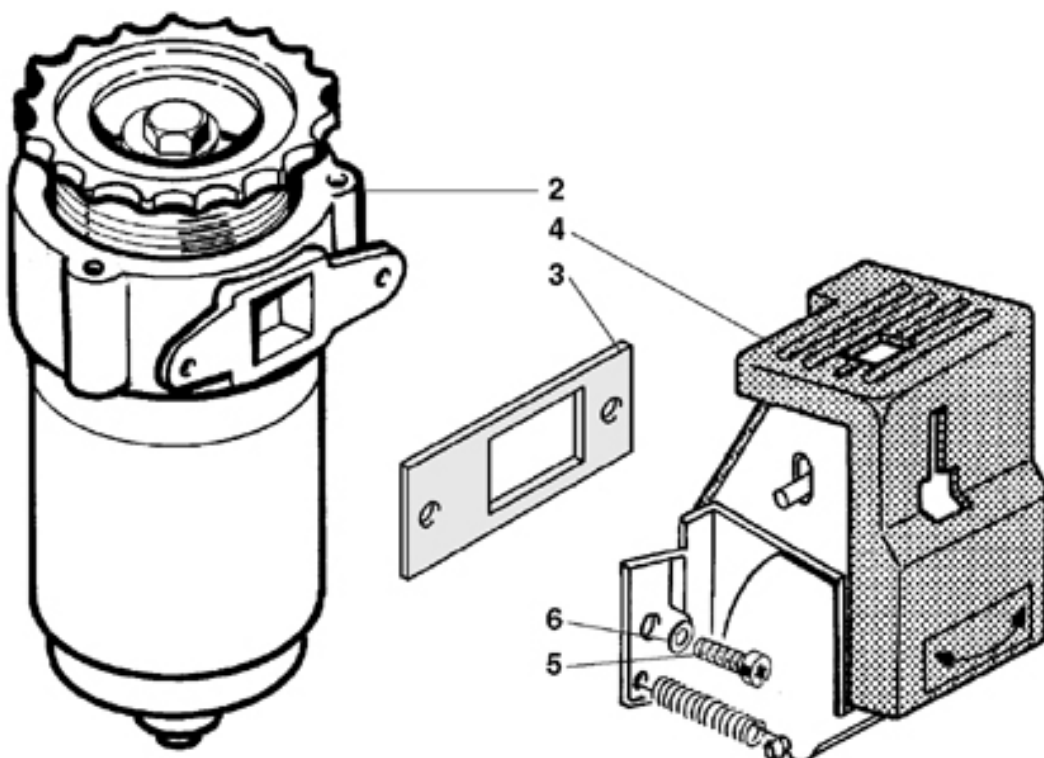
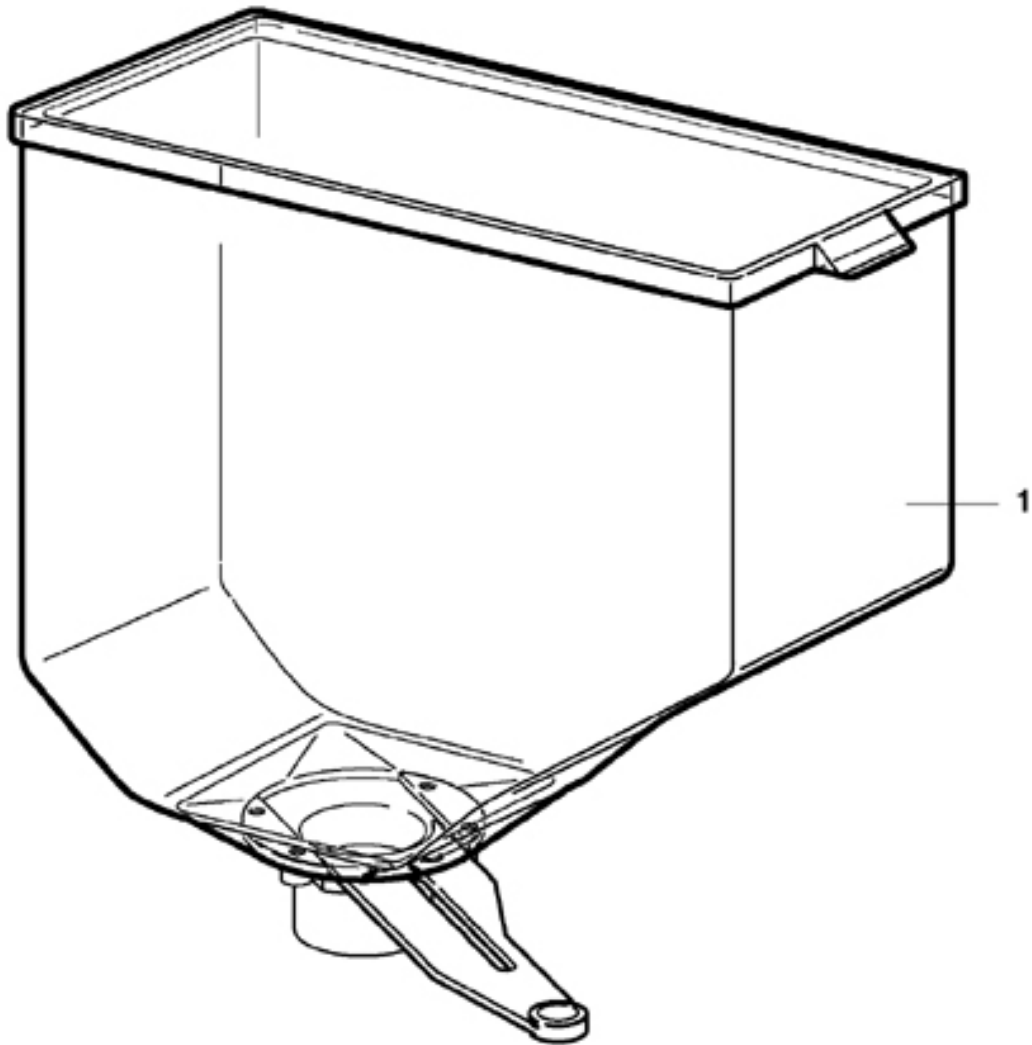
| Pos. | Code | Description | |
|------|-------------|---|---------|
| 1 | 0230030171 | PLASTIC INGREDIENT CONTAINER h265 PP | |
| 2 | 0230030159 | MIXER GEAR | |
| 3 | 0230030012 | WORM SCREW PIN | |
| 4 | GUA0000083 | OR 123 | |
| 5/a | 0230030014 | WORM SCREW P.18 | |
| 5/b | 0230030013 | WORM SCREW P. 9 | |
| 6 | VIT0005301 | ELASTIC PIN D.2 x 14 | |
| 7 | 0230030011 | REAR BUSH | |
| 8 | 0230030172 | PLASTIC INGREDIENT CONTAINER h265 PP | |
| 9 | 0230030161 | MIXER GEAR mm.110 | |
| 10/a | 0230030041 | INGREDIENT MIXER 112 mm. R.H. OUTLET | |
| 10/b | 0230030042 | INGREDIENT MIXER 112 mm. L.H. OUTLET | |
| 11 | VIT0003210 | STAINLESS STEEL FLAT WASHER D. 8.4 x 14 x 1.6 | |
| 12 | 0230030006 | CONTAINER COVER 55 mm. | * |
| 13 | 0230030009 | CONTAINER COVER 112 mm. | |
| 14/a | 0230030184R | RIGHT CONVEYOR INGREDIENT | |
| 14/b | 0230030187R | RIGHT CONVEYOR INGREDIENT | |
| 15/a | 0230030183R | LEFT CONVEYOR INGREDIENT | |
| 15/b | 0230030186R | LEFT CONVEYOR INGREDIENT | |
| 16 | 0230030185R | CONVEYOR INGREDIENT | |
| 17 | 0230030052 | ANTIBRIDGING | |
| 100 | 0230030170R | SMALL PRODUCT CONT.H265 WORM SCREW 18 W/O FEEDER | assieme |
| 101 | 0230030171R | SMALL PRODUCT CONT.H265 WORM SCREW 9 W/O FEEDER | assieme |
| 102 | 0230030172R | LARGE PRODUCT CONT.H265 WORM SCREW 18 W/O RIGHT H-S EXIT FEEDER | assieme |
| 103 | 0230030173R | SMALL PRODUCT CONT.H265 WORM SCREW 9 W/ORIGHT H-S EXIT FEEDER | assieme |



| Pos. | Code | Description | |
|------|-------------|-------------------------------|---------|
| 1 | 0080100005 | MIXER BASE | |
| 2 | 0080100015 | MIXER BASE BUSH | |
| 3 | GUA0000084 | OR 3131 | |
| 4 | 0090003023 | 24 V DC MIXER MOTOR SHAFT D.4 | |
| 5 | 0080100024 | DRIP TRAP FAN | |
| 6 | 0080100023 | MIXER COVER | |
| 7 | 0080100009 | MOTOR HOUSING CONNECTION | |
| 8 | 0080100014 | MIXER SHAFT GASKET D.4 | |
| 9 | 0080100011 | SMALL FAN MIXER SHAFT D.4 | |
| 10 | 0080100041 | BODY WITH TRAY | |
| 11 | 0080100006 | STOPPER RING | |
| 12 | 0080100018 | MIXER BASE PLUG | |
| 13 | 0080100042 | TRAY RING | |
| 14 | 0080100043 | SHORT MIXER INSERT | |
| 15 | GUA0000085 | SILICONE OR 106 | |
| 16 | VIT0002401 | TAPPING SCREW TCB 3.5 x 9.5 | |
| 17 | TSIL06/09TC | TRANSPARENT SILICONE PIPE | |
| 100 | 0080100001R | MIXER BASE+MOTOR ASSEMBLY | assieme |

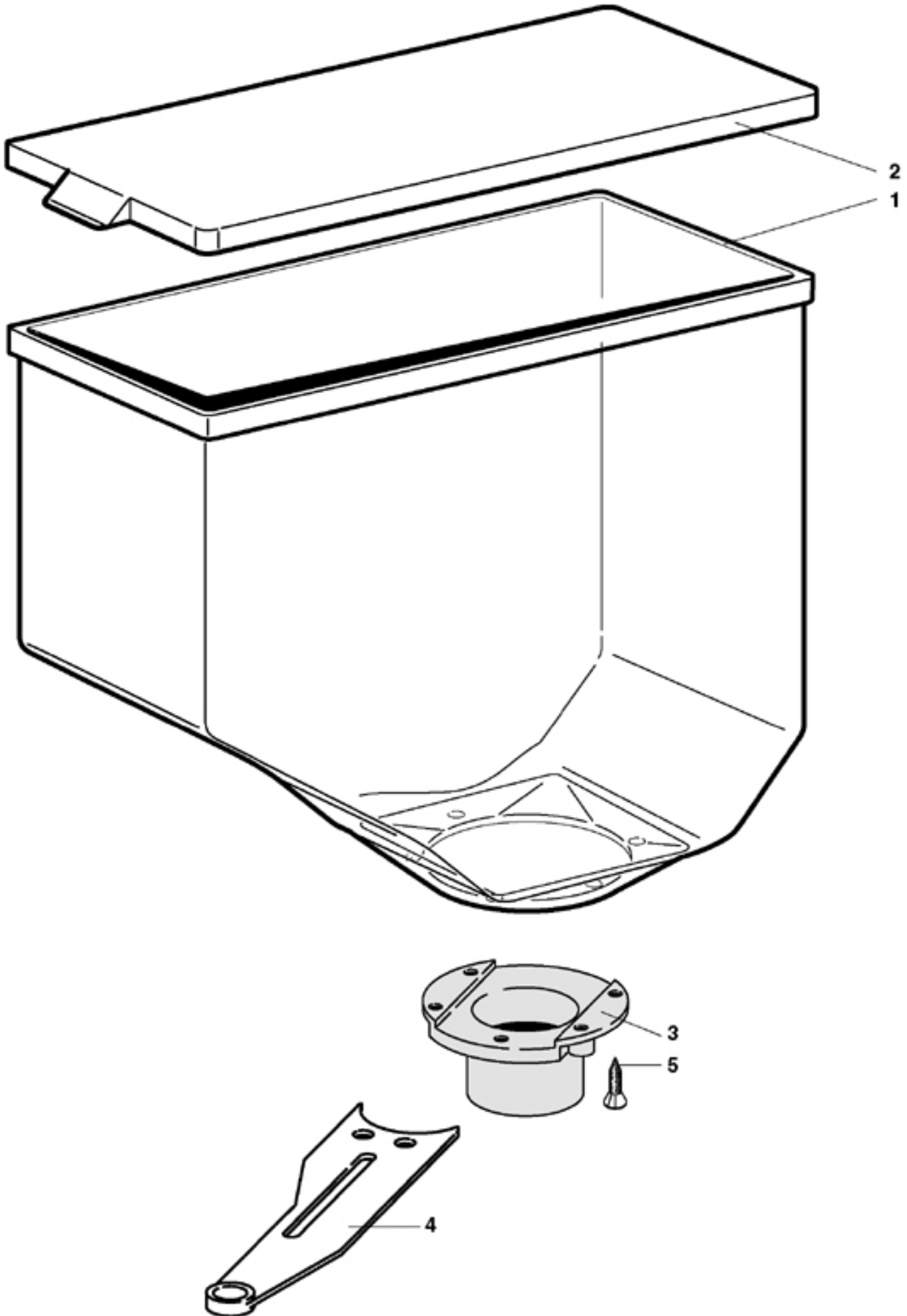


| Pos. | Code | Description | |
|------|--------------|---|---------|
| 1 | 0380011329 | PIPES MOVEMENT HOUSING | |
| 2 | 0380011321 | PIPES SUPPORT GUIDE | |
| 3 | VIT0002401 | TAPPING SCREW TCB 3.5 x 9.5 | |
| 4 | 0380011322 | SUGAR SUPPORT GUIDE SHAFT | |
| 5 | VIT0003103 | WASHER tab D. 4.3 | |
| 6 | VIT0004503 | NUT M 4 | |
| 7 | 0380011326R | CONNECTING ROD | |
| 8 | 0200001011 | CONTROL CONNECTING ROD ROLL | |
| 9 | 0200001012 | ROLL PIN | |
| 10 | VIT0007002 | M 4 x 6 DOWEL | |
| 11 | 0380011311 | GEAR MOTOR SUPPORT | |
| 12 | 0090002512 | 24 V DC 10 ROM GEAR MOTOR HEXAGONAL SHAFT | |
| 13 | SCH0003740 | DC MOTORS FILTER | |
| 14 | VIT0000003 | M 3x8 TCB SCREW | |
| 15 | VIT0003102 | WASHER tab D. 3.2 | |
| 16 | ELE0001522 | 1-WAY 16 A 250 V MICROSWITCH | |
| 17 | ELE0001906 | 161 E R 24.1 MICRO LEVER | |
| 18 | 7500902054 | SUPPLEMENTARY INSULATION | |
| 19 | 0380011323 | PRODUCT PIPES SUPPORT ESTRAIBILE | |
| 20 | VIT0000006 | M 3x16 TCB SCREW | |
| 21 | 0380010423 | SUGAR CHUTE | |
| 22 | 0380010424 | MOBILE WALL | |
| 23 | 0380011328 | REMOVABLE SUPPORT CONNECTION | |
| 24 | 0380010431 | MOBILE WALL SPRING | |
| 25 | 0380011327 | PIPES MOVEMENT SUPPORT | |
| 26 | 0380010599 | KEY PIPES MOVEMENT | |
| 27 | 0380011324 | GEAR MOTOR COVER | |
| 28 | VIT0002009 | TAPPING SCREW T.C.B. 3,5 x 6,5 | |
| 29 | 0380010657NA | DISPENSER | |
| 30 | 0380010656NA | PLUG | |
| 100 | 0380011310CL | SUGAR MOVEMENT ASSEMBLY | assieme |



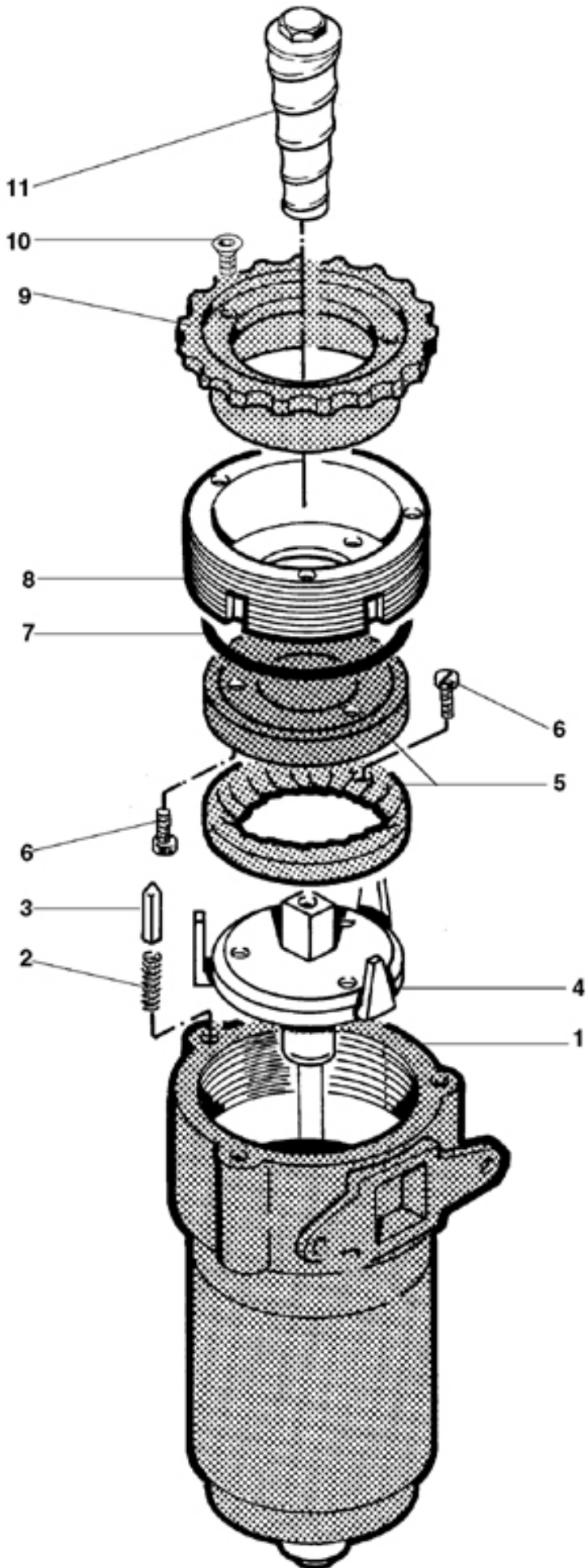
XM - CONTAINER BATCHER GRINDER GROUP

| Pos. | Code | Description |
|------|-------------|--------------------|
| 1 | see tab. 11 | |
| 2 | see tab. 12 | |
| 3 | 0320004141 | MILL-BATCHER PLATE |
| 4 | see tab. 13 | |
| 5 | VIT0000013 | M 4x12 TCB SCREW |
| 6 | VIT0003103 | WASHER tab D. 4.3 |



XM - CONTENITORE PRODOTTO CAFFE IN GRANI

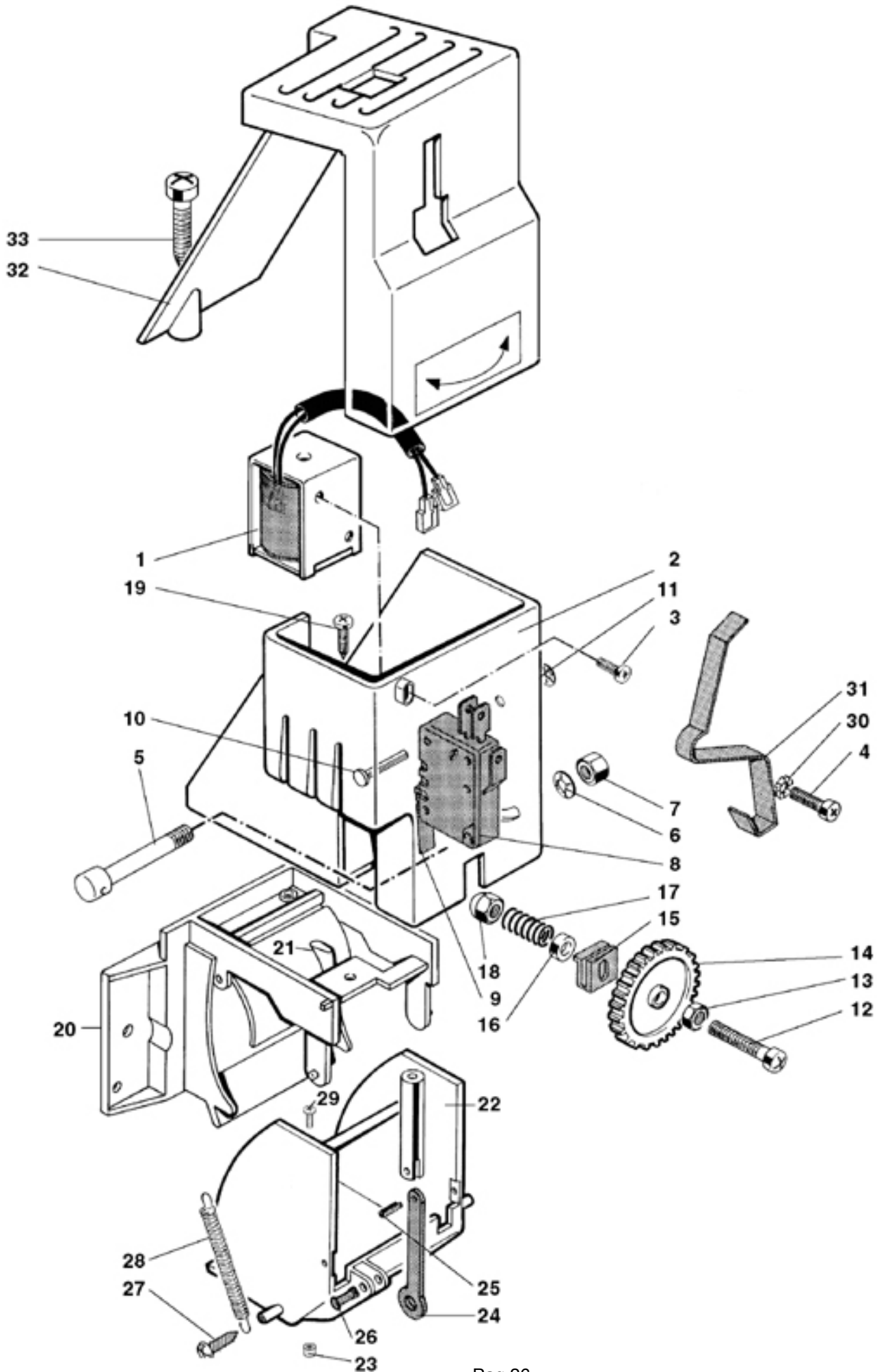
| Pos. | Code | Description |
|------|--------------|---|
| 1 | 0230015171 | COFFEE CONTAINER |
| 2 | 0230015172 | COFFEE CONTAINER COVER E/8 |
| 3 | 0230015066 | COFFEE CONTAINER BOTTOM |
| 4 | 0230015072 | COFFEE CONTAINER BLADE |
| 5 | VIT0002104 | 2.9x 13 STAINLESS STEEL TAPPING TCB SCREW |
| 100 | 0230015170CL | COFFEE CONTAINER assieme |



XM - VERTICAL MILL GROUP

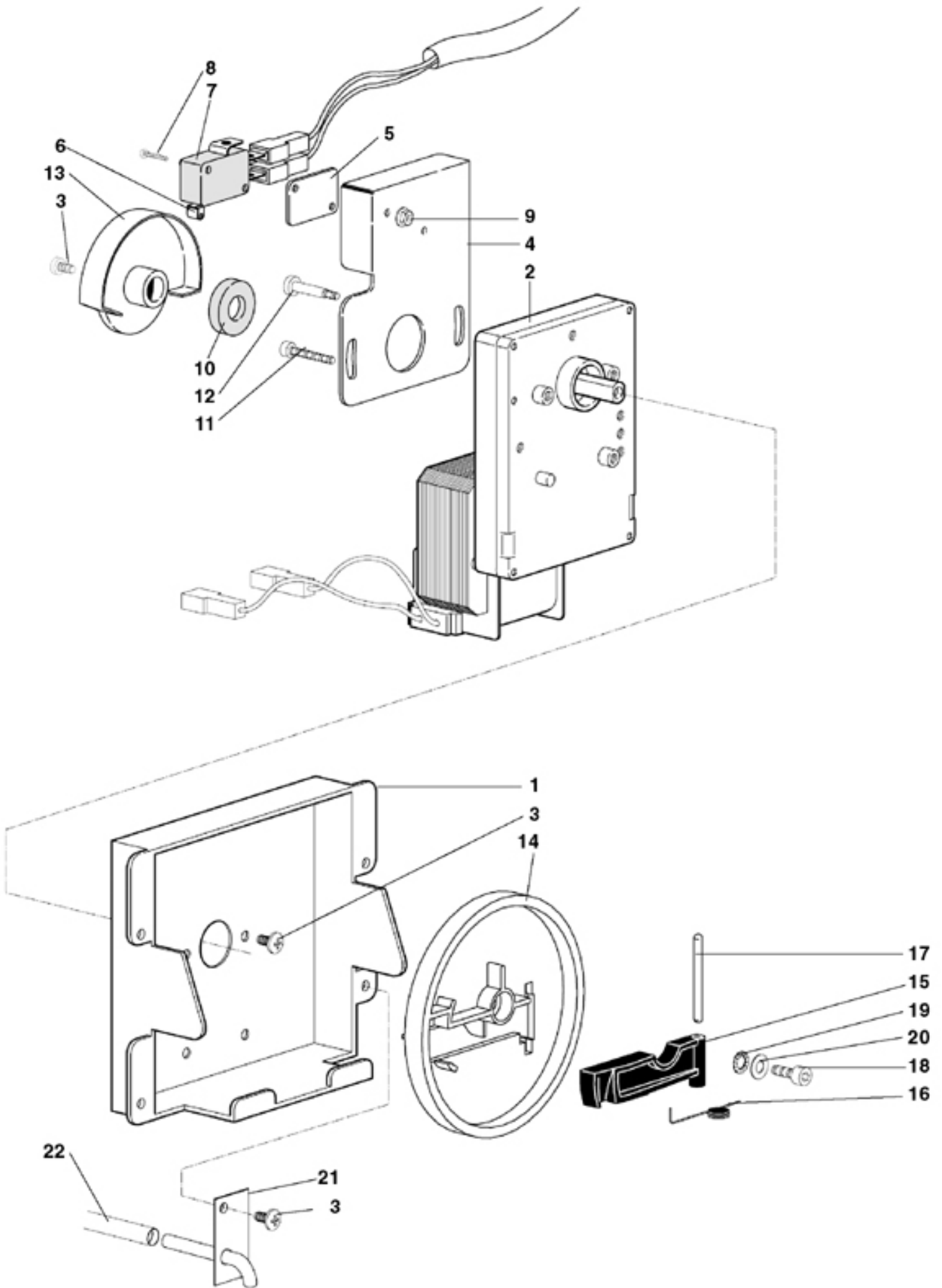
| Pos. | Code | Description |
|------|--------------|--|
| 1 | 0090002099 | MOTOR WITH GRINDER |
| 2 | 270001023 | DOOR SWITCH SPRING |
| 3 | 0320002011 | COMPENSATING PIN |
| 4 | 0320004107 | LOWR GRINDER SUPPORT |
| 5 | 0090003033 | D.54 TYPE 4 GRINDER COUPLE |
| 6 | VIT0000024 | M 4x8 TCB SCREW |
| 7 | GUA0000060 | 3225 OR |
| 8 | 0320004109 | UPPER GRINDER SUPPORT |
| 9 | 0320004112GD | GRINDER SUPPORT RING NUT |
| 10 | VIT0000102 | M 3x10 TSP SCREW |
| 11 | 0320004116 | LOWER GRINDER SUPPORT WORM SCREW |
| 100 | 0320004150CL | E MILL ASSEMBLY assieme |

XM - PL BATCHER GROUP WITH 24 V DC SETTING



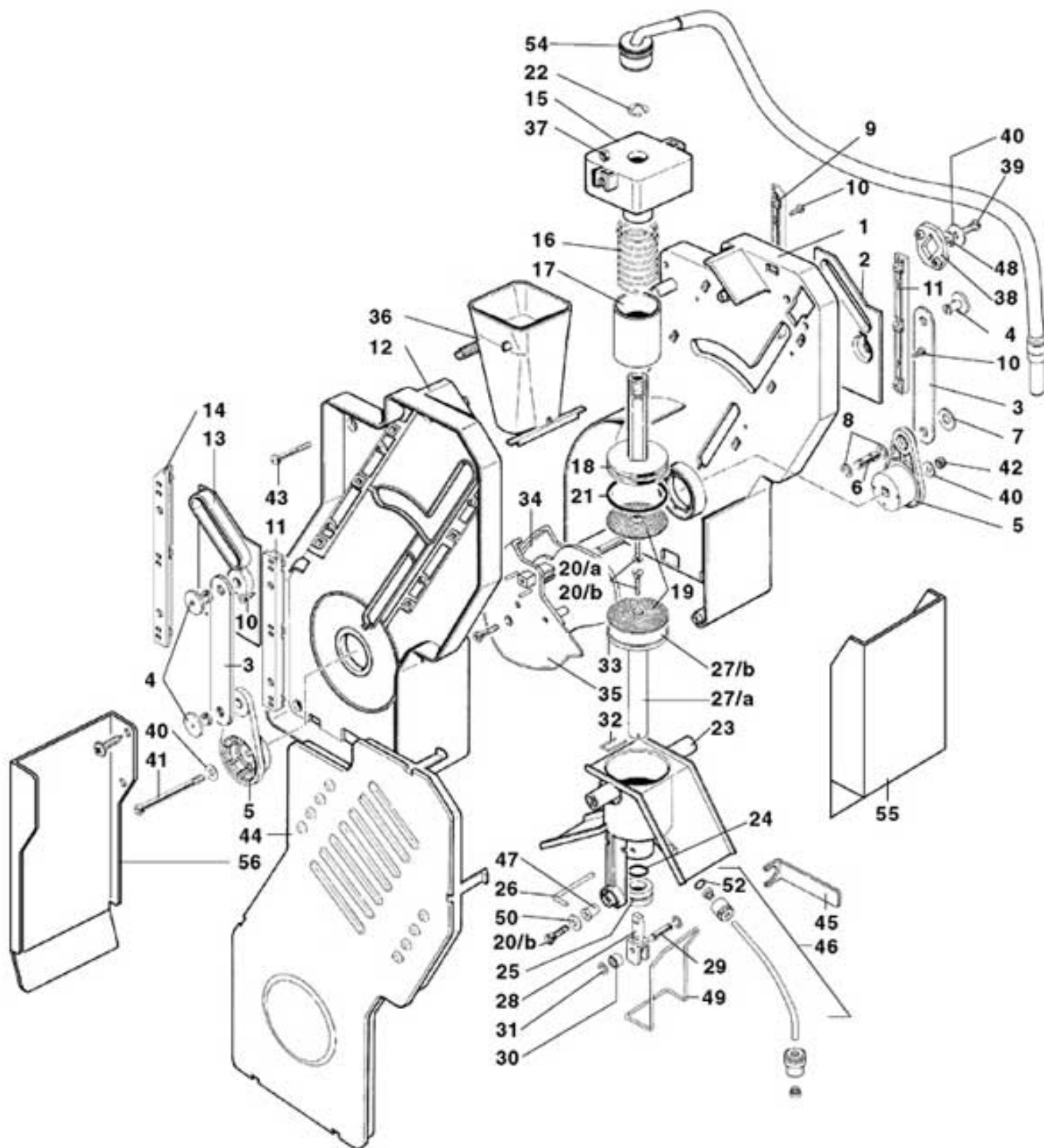
XM - PL BATCHER GROUP WITH 24 V DC SETTING

| Pos. | Code | Description | |
|------|--------------|--|---------|
| 1 | ELE0000056 | 24V DC ELECTROMAGNET W/CABLES | |
| 2 | 0350003136 | ELECTROMAGNET SUPPORT | |
| 3 | VIT0000028 | M 3x14 TCB SCREW | |
| 4 | VIT0000005 | M 3x12 TCB SCREW | |
| 5 | 0350003114 | SETTING PIN | |
| 6 | VIT0009161 | D.3.2 x 8 x 0.4 SPRING | |
| 7 | VIT0004814 | M.3 SELFLOCKING NUT | |
| 8 | ELE0001522 | 1-WAY 16 A 250 V MICROSWITCH | |
| 9 | 0350003121 | MICRO LEVER | |
| 10 | 0350003112 | ROTATION PIN | |
| 11 | VIT0007101 | D.3 BENZING-QUICKLOCK | |
| 12 | VIT0000009 | M 3x30 TCB SCREW | |
| 13 | VIT0004502 | M3 NUT | |
| 14 | 0350003113 | WEIGHT SETTING WHEEL | |
| 15 | 0350003115 | SETTING SPRING | |
| 16 | 7500102053 | MICRO SPACER | |
| 17 | 0350003115 | SETTING SPRING | |
| 18 | VIT0004813 | M.3 CAP NUT | |
| 19 | VIT0002011 | 2.9x 9.5 TAPPING TCB SCREW | |
| 20 | 0350003105 | BATCHER BODY | |
| 21 | 0350003106 | BLADE | |
| 22 | 0350003301 | COFFEE FEEDER | |
| 23 | 0350003302 | SHAKER | |
| 24 | 0350003126 | ELECTROMAGNET CONNECTING ROD | |
| 25 | VIT0005105 | 2 x 8 STAINLESS STEEL ELASTIC PIN | |
| 26 | 0350003111 | PIN | |
| 27 | VIT0002001 | 2.9x 6.5 TAPPING TCB SCREW | |
| 28 | 0350003129 | RETURN SPRING | |
| 29 | VIT0000032 | M 4x8 INOX TCB SCREW | |
| 30 | VIT0003102 | WASHER tab D. 3.2 | |
| 31 | 0350003124 | BATCHER LOCK | |
| 32 | 0350003128 | COVER | |
| 33 | VIT0002452 | TAPPING SCREW TCB 3.5 x 12 | |
| 100 | 0350003110CL | 24 V DC COFFEE PLASTIC BATCHER W/SETTING | assieme |

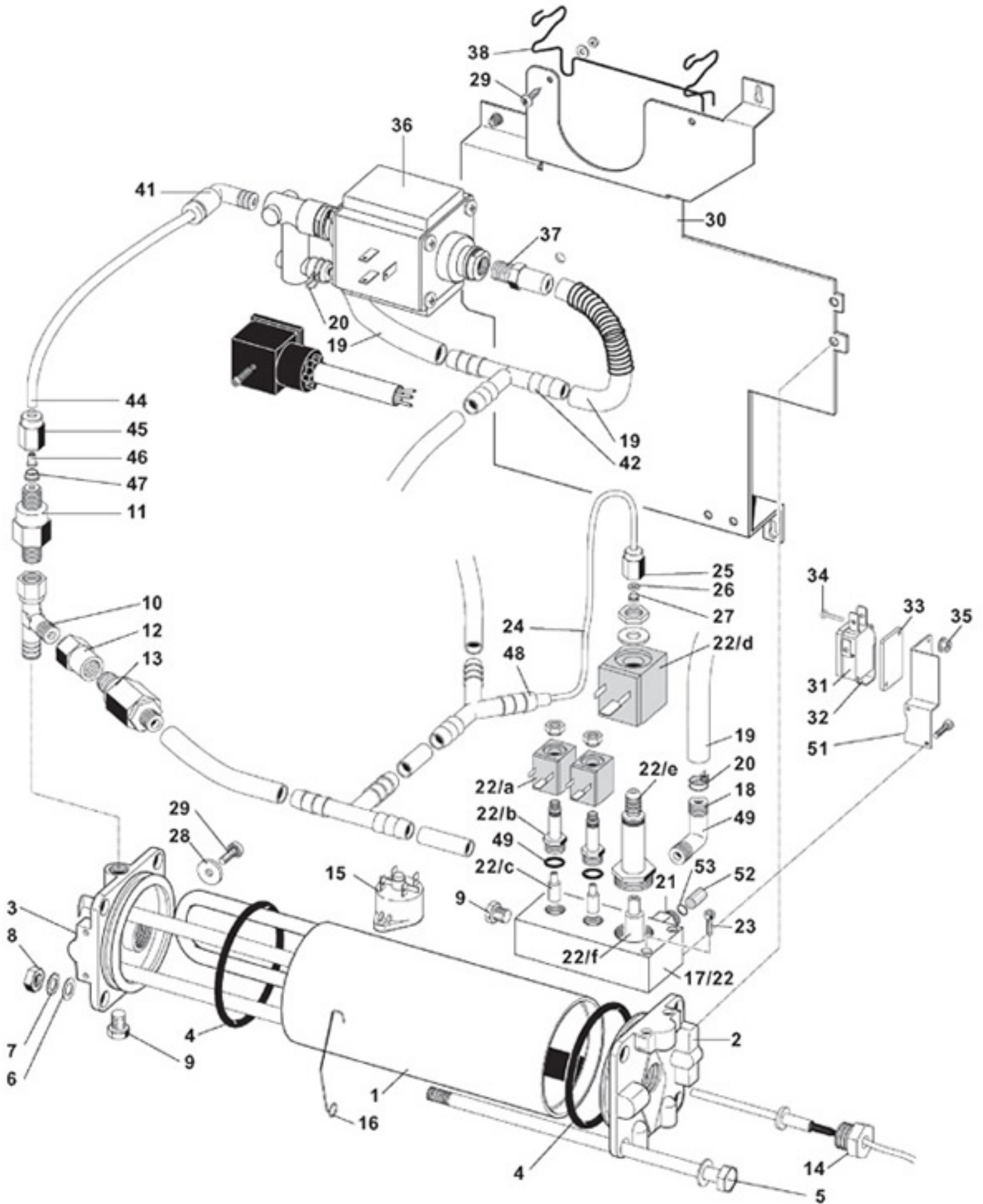


XM - MICRO COFFEE GROUP MOTOR SUPPORT

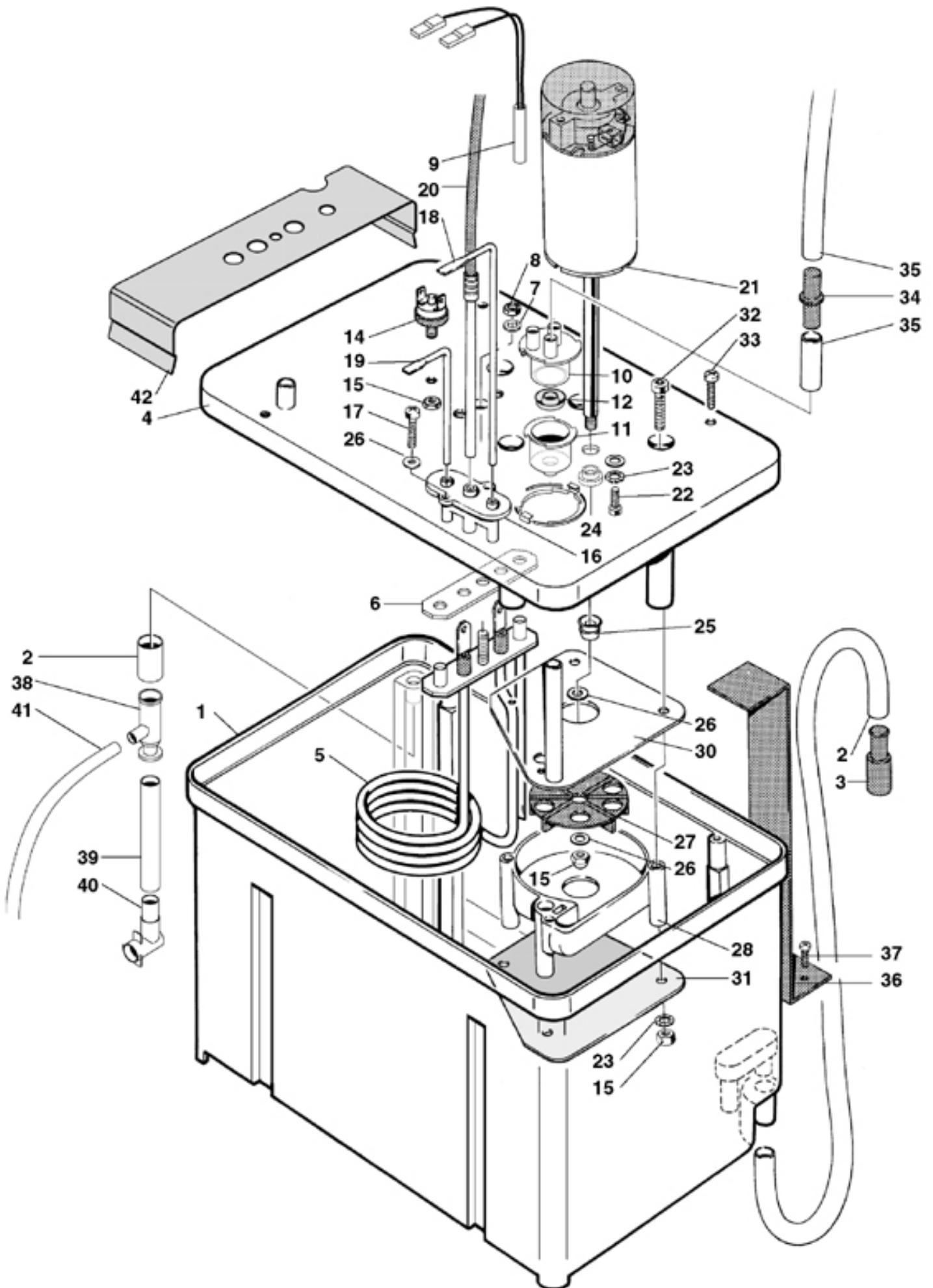
| Pos. | Code | Description |
|------|--------------|---|
| 1 | 0260010102 | MICRO GROUP MOTOR SUPPORT |
| 2 | 0090002182 | MICRO GROUP MOTOR |
| 3 | VIT0000030 | SCREW TCB M4 x 7 |
| 4 | 0250008093 | MICRO PLATE |
| 5 | 4600010014 | MICRO SPACER |
| 6 | ELE0001904 | MICRO LEVER |
| 7 | ELE0001510 | 1 WAY 0.1 A 250 V MICROSWITCH |
| 8 | VIT0000006 | M 3x16 TCB SCREW |
| 9 | VIT0004701 | M3 FR NUT |
| 10 | 0250008091 | MICRO SPACER |
| 11 | 0250008092 | M4 SPECIAL SCREW |
| 12 | VIT0005521 | 4x25 TCEI SCREW |
| 13 | 0250008043 | GROUP READER DISK |
| 14 | 0250008012 | MOTOR CRANK |
| 15 | 0250008034 | HOOKING LEVER |
| 16 | 0250008059 | SPRING FOR HOOKING LEVER |
| 17 | VIT0005205 | 4 x 40 CYLINDRICAL PIN |
| 18 | VIT0005508 | 4x12 TCEI SCREW |
| 19 | VIT0003103 | WASHER tab D. 4.3 |
| 20 | VIT0003003 | WASHER D.8 x 4.3 x 0.8 |
| 21 | 0010022138 | TRAY WITH PIPE SUPPORT |
| 22 | TSIL07/11T | TRANSPARENT SILICONE PIPE D.7 x 11 |
| 100 | 0260010110CL | MICRO COFFEE GROUP MOTOR SUPPORT assieme |



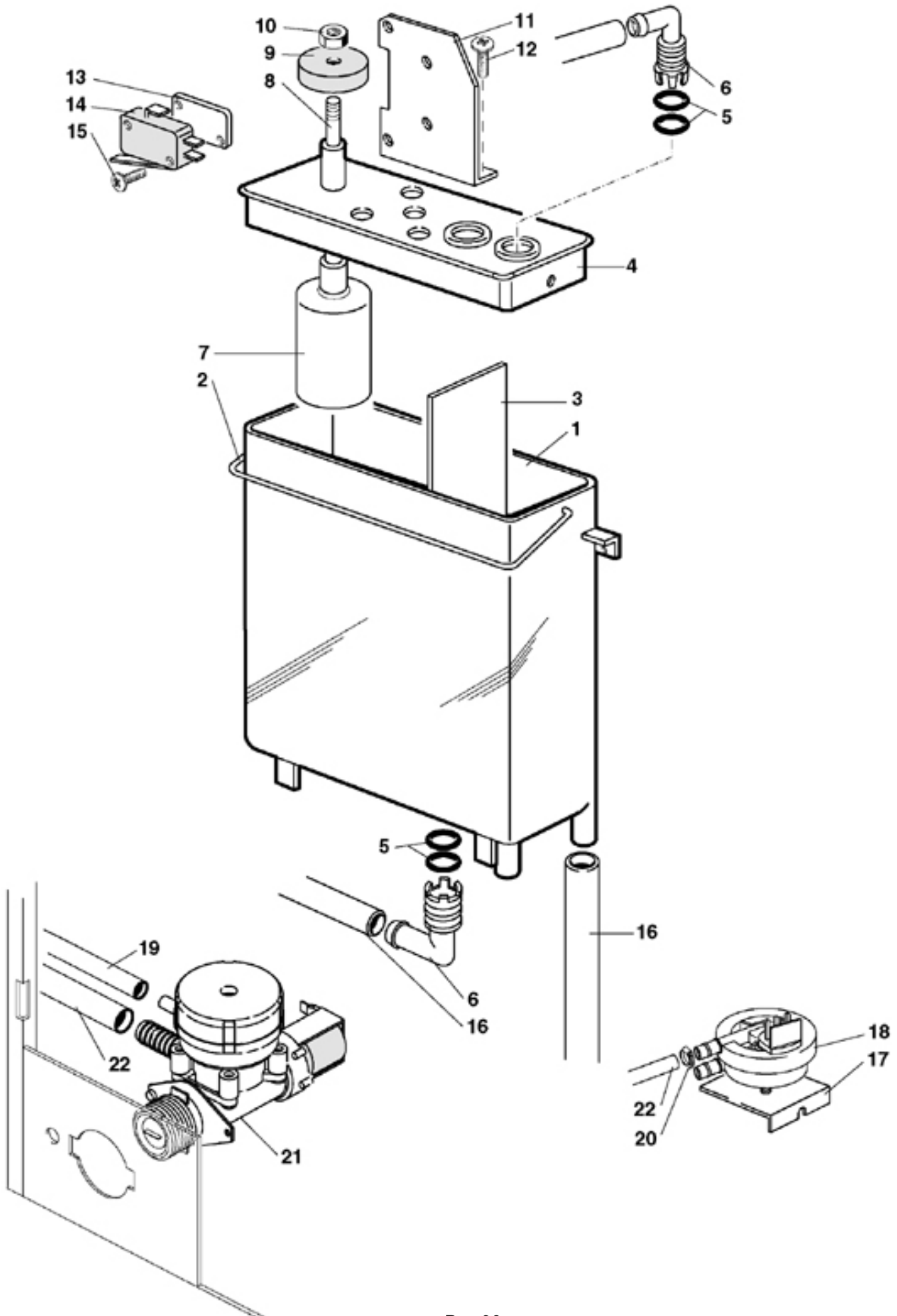
| Pos. | Code | Description | |
|------|--------------|--|---------|
| 1 | 0250008005 | R.H. FRAME | |
| 2 | 0250008084 | R.H. INFUSION CHAMBER CAM | |
| 3 | 0250008009 | CONNECTING ROD | |
| 4 | 0250008028 | PIN FOR CONNECTING ROD | |
| 5 | 0250008011 | R.H. CRANK | |
| 6 | 0250008014 | MOTOR CRANK PIN | |
| 7 | 0250008042 | ANTIVIBRATION WASHER | |
| 8 | VIT0006515 | D.5 RADIAL STOP RING | |
| 9 | 0250008031 | R.H. REAR GUIDE | |
| 10 | VIT0002026 | 3.5x 6.5 STAINLESS STEEL TAPPING TCB SCREW | |
| 11 | 0250008033 | FRONT GUIDE | |
| 12 | 0250008006 | L.H. FRAME | |
| 13 | 0250008085 | L.H. INFUSION CHAMBER CAM | |
| 14 | 0250008032 | L.H. REAR GUIDE | |
| 15 | 0250008086 | UPPER FILTER SUPPORT | |
| 16 | 0250008024 | UPPER FILTER SPRING | |
| 17 | 0250008087 | SPRING COVER PIPE | |
| 18 | 0250008026 | D.36 UPPER FILTER | |
| 19 | 0250008099 | FILTER | |
| 20/a | VIT0001202 | M 3x14 TSP SCREW | |
| 20/b | VIT0000121 | M 3x8 TSP SCREW | |
| 21 | GUA0000080 | SILICONE 4112 OR | |
| 22 | VIT0006513 | D.8 STAINLESS STEEL INSIDE SEEGER | |
| 23 | 0250008046R | INFUSION CHAMBER | |
| 24 | GUA0000065 | SILICONE OR 112 | |
| 25 | 0250008053 | LOWER INLET CUP BUSH | |
| 26 | 0250008029 | GLASS BUSH PIN | |
| 27/a | 0250008108 | FILTER SUPPORT SHFT | |
| 27/b | 0250008081 | LOWER FILTER | |
| 28 | 0250008106 | LOWER FILTER ROLL SUPPORT | |
| 29 | 0250008021 | ROLL SHAFT | |
| 30 | 0250008022 | ROLL SHAFT | |
| 31 | VIT0006516 | D.3.2 RADIAL STOP RING | |
| 32 | 0250008027 | LOWER FILTER PIN | |
| 33 | 0250008083 | FILTER EJECTION CAM | |
| 34 | 0250008016 | R.H. FILTER RECOVERY CAM | |
| 35 | 0250008017 | L.H. FILTER RECOVERY CAM | |
| 36 | 0250008036 | COFFEE CONE | |
| 37 | VIT0004803 | STAINLESS STEEL NUT M4 | |
| 38 | 0250008035 | SETTING PLATE | |
| 39 | VIT0000032 | M 4x8 INOX TCB SCREW | |
| 40 | VIT0003309 | 4.3x16x1.5 STAINLESS STEEL FLAT WASHER | |
| 41 | VIT0005523 | 4x60 STAINLESS STEEL TCEI SCREW | |
| 42 | VIT0004810 | M 4 SELFLOCKING NUT | |
| 43 | VIT0002461 | SCREW TCCRT 4,2 x 26 | |
| 44 | 0250008039 | L.H. FRAME COVER | |
| 45 | 0250008048 | KEY FOR NUT | |
| 46 | 0250008110CL | WATER INLET PIPER ASSEMBLY | |
| 47 | VIT0009203 | M 3 CONNECTION FOR THERMOPLASTIC | |
| 48 | VIT0003451 | GROWER SPRING WASHER | |
| 49 | 0250008094 | SCRAPER | |
| 50 | 0250008088 | WASHER FOR CHAMBER CAM | |
| 51 | 0250008109R | D.36 LOWER FILTER+ROLL SUPPORT ASSEMBLY | |
| 52 | GUA0000061 | 2010 VITON OR | |
| 53 | 0250008107R | LOWER FILTER ROLL SUPPORT | |
| 54 | 0250008160CL | COFFEE OUTLET PIPE ASSEMBLY | |
| 55 | 0010022139 | GROUNDS FEEDER | |
| 56 | 0260010207 | COFFEE POWDERS CHUTE | |
| 100 | 0250008001CL | MICRO COFFEE GROUP | assieme |
| 101 | 0250008026R | D.36 UPPER FILTER ASSEMBLY | assieme |
| 102 | 0250008108R | D.36 LOWER FILTER | assieme |



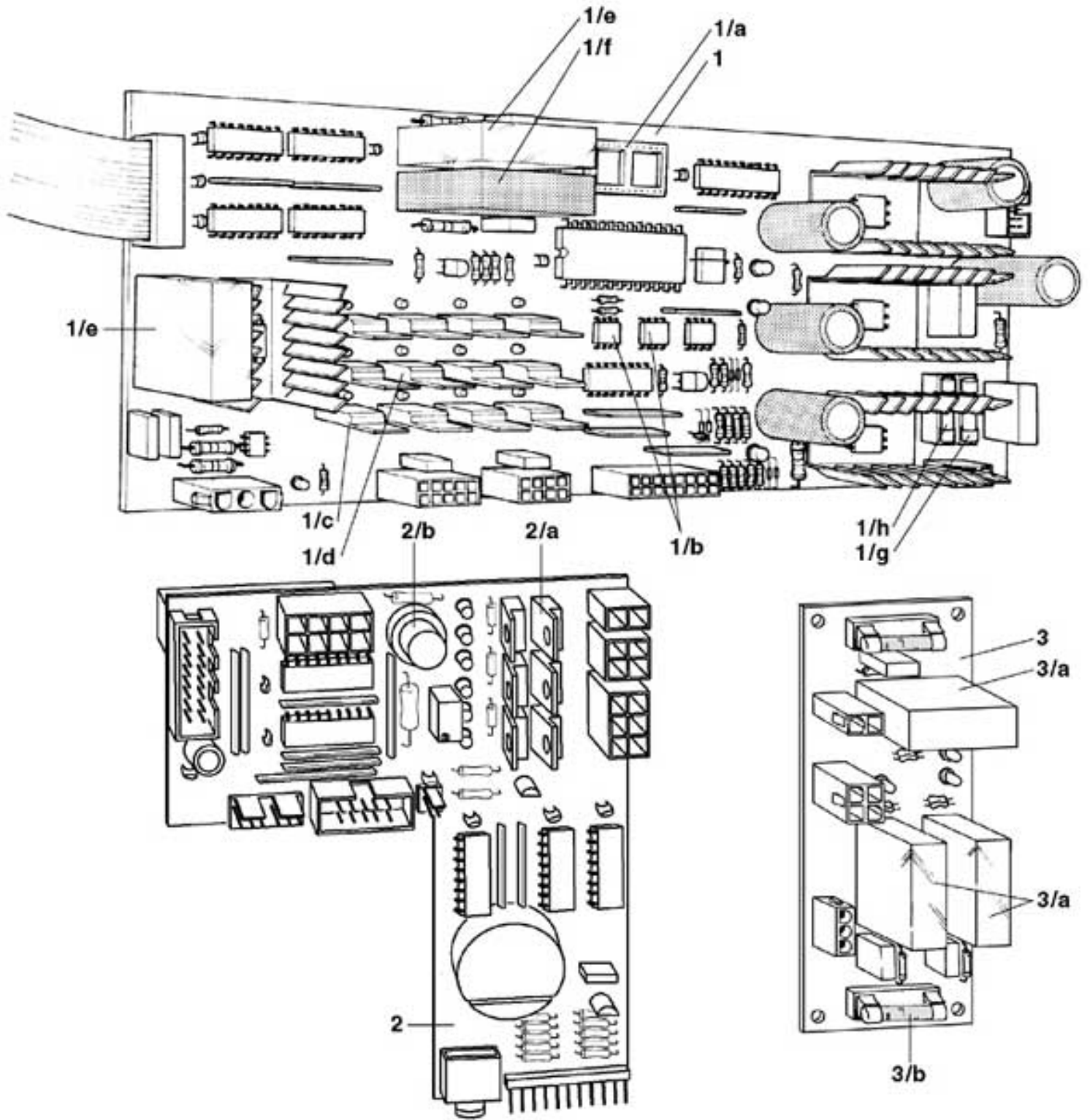
| Pos. | Code | Description |
|------|-------------|---|
| 1 | 0600012514 | JACKET MM 150 |
| 2 | 0600012671 | FLANGE FOR VALVE |
| 3 | 0600012701 | FLANGE WITH HEATING ELEMENT |
| 4 | GUA0000047 | 164 VITON OR |
| 5 | 0600012515 | TIE-BOLT MM 177 |
| 6 | VIT0003206 | D. 8.4x16x1.6 WASHER |
| 7 | VIT0003402 | D. 8.4 GROWER SPRING WASHER |
| 8 | VIT0004506 | M 8 NUT |
| 9 | 4600020115 | PLUG |
| 10 | 0100001028 | MALE T UNION 1/8-6-6 |
| 11 | 0110002008 | 1/8F - 1/8M INLET NON-RETURN VALVE |
| 12 | | |
| 13 | 0110002009 | SAFETY VALVE |
| 14 | ELE0000969R | PROBE |
| 15 | ELE0009001 | 120° CLICSON |
| 16 | 250020087 | SAFETY SWITCH SECURING SPRING |
| 17 | 0110001087 | 2 2-WAY VALVE + 1 3-WAY VALVE |
| 18 | 250020146 | ELBOW CONNECTION |
| 19 | TSIL06/09T | TRANSPARENT SILICONE PIPE D.6 x 9 |
| 20 | FASC000101 | PIPES CLIP |
| 21 | 0110003106 | H2O 3-WAY SOLENOID VALVE CONNECTION |
| 22 | 0110001091 | 3 2-WAY SOLENOID VALVE + 1 3-WAY SOLENOID VALVE 24VDC GROUP |
| 22/a | 0110010062 | 5W 24 DC COIL |
| 22/b | 0110010123 | 2-WAY SLEEVE CH 14 |
| 22/c | 0110010124 | 2-WAY MOBILE CORE ASSEMBLY |
| 22/d | 0110010065 | 8W 24 D.C. COIL |
| 22/e | 0110010035 | 3-WAY VALVE SLEEVE |
| 22/f | 0110010020 | CORE WITH SPRING FOR 3-WAY VALVE |
| 23 | VIT0005510 | 4x16 TCEI SCREW |
| 24 | TTEF02/04T | D.2x4 PIPE |
| 25 | 0100001001 | NUT FOR 4-1/8 PIPE FITTING |
| 26 | 0100002001 | D.4 LOCKING RING |
| 27 | 0100003002 | COPPER GASKET |
| 28 | 1600001098 | SYNTHETIC RUBBER D.4.5 SPACER |
| 29 | VIT0000030 | SCREW TCB M4 x 7 |
| 30 | 0010022119 | BOILER SUPPORT |
| 31 | ELE0001522 | 1-WAY 16 A 250 V MICROSWITCH |
| 32 | 0010020412 | BENT MICRO LEVER |
| 33 | 4600010014 | MICRO SPACER |
| 34 | VIT0000006 | M 3x16 TCB SCREW |
| 35 | VIT0004701 | M3 FR NUT |
| 36 | 0110004002 | 'AP' PUMP |
| 37 | 2500001139 | VALVE RUBBER-HOLDER CONNECTION |
| 38 | 0110004020 | PUMP SUPPORT |
| 39 | VIT0003301 | WASHER D.12 x 4.3 x 1.5 |
| 40 | VIT0004503 | NUT M 4 |
| 41 | 0100001056 | TURNING ELBOW 6-1/4 VITON OR |
| 42 | 0100003003 | TEE UNION |
| 43 | 0600016055 | SPRING FOR KIT NO RETURN CHOCOLATE |
| 44 | TNAY000001 | D.6*4 POLYAMIDE PIPE |
| 45 | 0100001002 | NUT FOR PIPE FITTING D.6 |
| 46 | 0100002005 | STRENGTHENING BUSH D.4 |
| 47 | 0100002002 | LOCKING RING D.6 |
| 48 | 0100001065 | 'Y' FITTING |
| 49 | 0110010111 | OR R 990597/N |
| 50 | 0110010112 | OR R 990002/S |
| 51 | 0110003059 | MICRO SUPPORT |
| 52 | 0110003057 | OR SPACER |
| 53 | GUA0000069 | 2015 OR |
| 100 | 0600012710R | mm 150 BOILER assieme |



| Pos. | Code | Description | |
|------|--------------|--|---------|
| 1 | 0600016008 | BOILER TANK | |
| 2 | TSIL10/14T | TRANSPARENT SILICONE PIPE D.10 x 14 | |
| 3 | 650001057 | BOILER DISCHARGE PLUG | |
| 4 | 0600016073R | BOILER COVER PLUG | * |
| 5/a | 0600016067 | 1300W 230 V HEATING ELEMENT | |
| 5/b | 0600016068 | 1100 W 230 V HEATING ELEMENT WITH THERMOFUSE | |
| 6 | 0600016038 | HEATING ELEMENT GASKET | |
| 7 | VIT0003203 | STAINLESS STEEL FLAT WASHER D.5.3 x 10 x 1 | |
| 8 | VIT0004804 | STAINLESS STEEL NUT M5 | |
| 9 | ELE0003026CL | 121° FUSE ASSEMBLED | |
| 10 | 0600016071 | TRIPLE FITTING | |
| 11 | 0600016072 | TRIPLE FITTING BOTTOM | |
| 12 | GUA0002008 | SILICONE GASKET DE 062 | |
| 13 | | | |
| 14 | ELE0000965 | MANUAL RESET THERMOSTAT BULB 135°C | |
| 15 | VIT0004816 | STAINLESS STEEL NUT M4 | |
| 16 | 0600016059 | PROBE SUPPORT | |
| 17 | VIT0001005 | SCREW T.C.B. M 4 x 12 | |
| 18 | 0600016053 | MIN. WATER LEVEL PROBE | |
| 19 | 0600016054 | MAX WATER LEVEL PROBE | |
| 20 | ELE0000963R | PRIMA SOLUBLE PROBE | |
| 21 | 0090003031 | MOTOR PUMP 24 V | |
| 22 | VIT0001009 | STAINLESS STEEL SCREW T.C.B. M 4 x 16 | |
| 23 | VIT0003454 | STAINLESS STEEL EXTERNAL tab D.4 | |
| 24 | 0080001005 | STAINLESS STEEL FLAT BUSH | |
| 25 | GUA0001006 | MIXER SHAFT GASKET | |
| 26 | VIT0003211 | STAINLESS STEEL FLAT WASHER D.4,3 x 9 x 0,8 | |
| 27 | 0110030026 | PUMP WHEEL | |
| 28 | 0110030025 | PUMP BODY | |
| 29 | | | |
| 30 | 0600016045 | UPPER PUMP COVER WITH PIPE | |
| 31 | 0600016048 | LOWER PUMP COVER | |
| 32 | VIT0005527 | SCREW T.C.E.I. M 4x40 INOX | |
| 33 | VIT0002461 | SCREW TCCRT 4,2 x 26 | |
| 34 | 0600016023 | COFFEE CONNECTION | |
| 35 | TSIL06/09T | TRANSPARENT SILICONE PIPE D.6 x 9 | |
| 36 | 0010020032 | BOILER SECURING PLATE | |
| 37 | VIT0002009 | TAPPING SCREW T.C.B. 3,5 x 6,5 | |
| 38 | 0600016028 | BOILER T | |
| 39 | TSIL07/11T | TRANSPARENT SILICONE PIPE D.7 x 11 | |
| 40 | 0600016030 | Overflow fitting | |
| 41 | TSIL05/08T | TRANSPARENT SILICONE PIPE D.5 x 8 | |
| 42 | 0600016002 | CLOSURE COVER CLIP | |
| 100 | 0600016065R | BOILER ASSEMBLY | |
| 101 | 0600016171CL | BOILER ASSEMBLY (from pos. 1 to 33 and from pos.38 to pos.42) 230V | assieme |

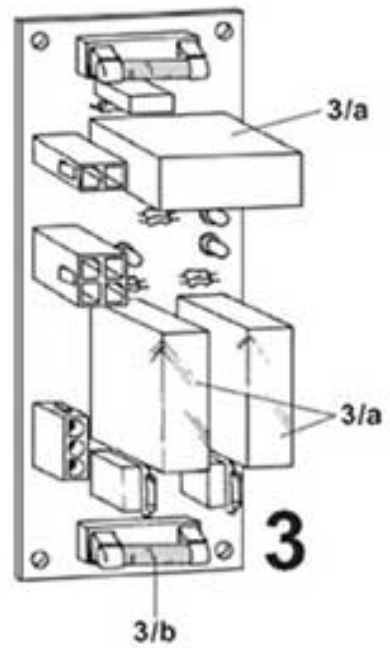
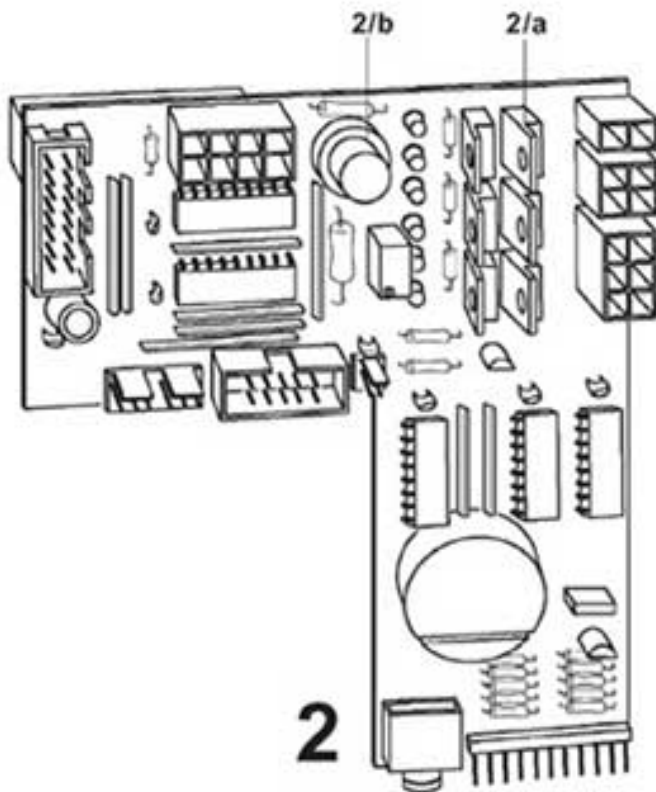
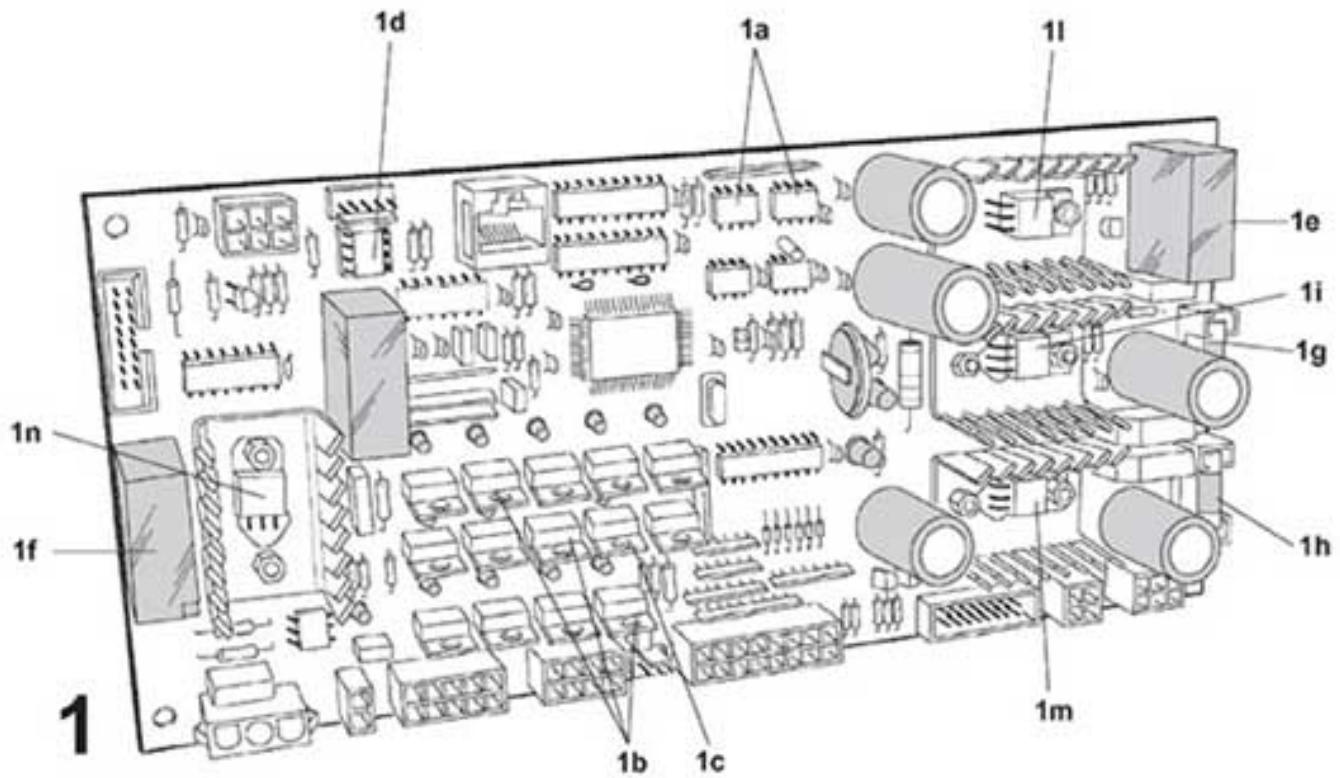


| Pos. | Code | Description | |
|------|--------------|---|---------|
| 1 | 0800009201 | SOLUBLE TANK BODY | |
| 2 | 800000035 | COVER SECURING RING | |
| 3 | 800000010 | TANK INTERNAL WALL | |
| 4 | 0800009223 | TANK COVER | |
| 5 | GUA0000043 | OR 109 | |
| 6 | 0800009211 | ELBOW WITH RAPID CONNECTION | |
| 7 | 600001065 | FLOATER | |
| 8 | 800000016 | STAINLESS STEEL FLOATER PIN | |
| 9 | 800000017 | MICRO FLOATER CONTROL DISK | |
| 10 | VIT0004812 | M 3.5 BRASS NUT | |
| 11 | 800000020A | MICRO FLOATER SUPPORT | |
| 12 | VIT0002014 | TAPPING SCREW TCB 2.9 x 13 | |
| 13 | 4600010014 | MICRO SPACER | |
| 14 | ELE0001514 | 3 A 250 V MICROSWITCH | |
| 15 | VIT0002012 | 2.9x 16 TAPPING TCB SCREW | |
| 16 | TSIL07/11T | TRANSPARENT SILICONE PIPE D.7 x 11 | |
| 17 | 0010022120 | VOLUME COUNTER SUPPORT | |
| 18 | 0110007003 | VOLUME COUNTER W/RUBBERHOLDER | |
| 19 | TSIL05/08T | TRANSPARENT SILICONE PIPE D.5 x 8 | |
| 20 | FASC000101 | PIPES CLIP | |
| 21 | 0110001086 | 24 DC INLET VALE WITH SAFETY DEVICE (*) | * |
| 22 | TSIL06/09T | TRANSPARENT SILICONE PIPE D.6 x 9 | |
| 100 | 0010022118CL | TANK | assieme |



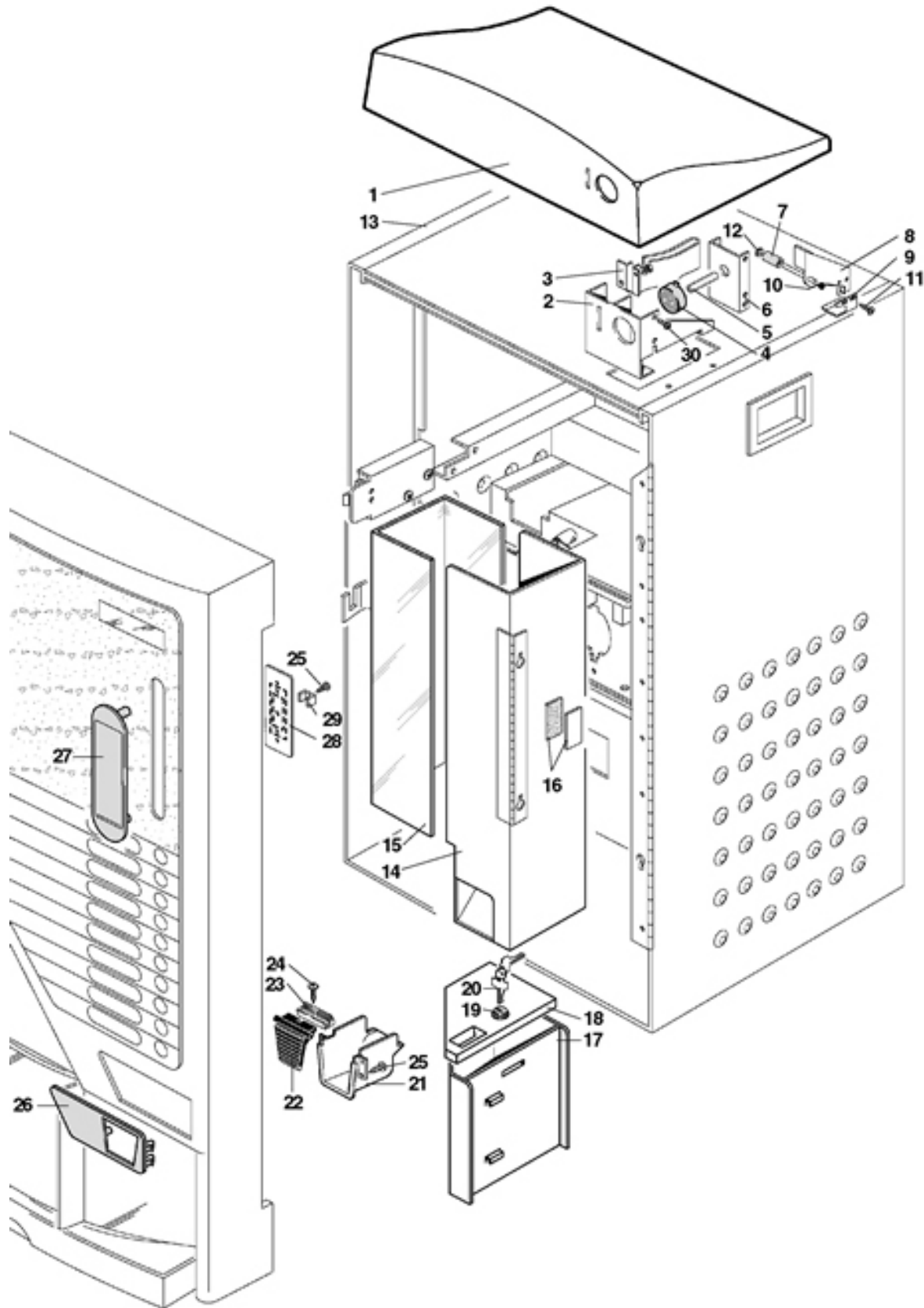
XM - CONTROL AND POWER LOGIC

| Pos. | Code | Description |
|------|------------|--|
| 1 | SCH0002940 | PRIMA CPU BOARD AND POWER CONTROL |
| 1/a | ELT0030059 | EPROM 27C512 |
| 1/b | ELT0030064 | EAROM 93C56 |
| 1/c | ELT0004020 | TRANSISTOR BDW93C |
| 1/d | ELT0004025 | TRANSISTOR BTS 133 |
| 1/e | ELT0007151 | 1-WAY 24V D.C. 10A RELAY |
| 1/f | ELT0007159 | 2-WAY 24V D.C. 10A RELAY |
| 1/g | ELE0003028 | 5A SLOW-BLOW GLASS FUSE 5x20 |
| 1/h | ELE0003025 | 2A RAPID GLASS FUSE 5x20 |
| 2/a | SCH0004100 | DISPLAY/ACTUATORS 'XM' |
| 2/b | ELT0004020 | TRANSISTOR BDW93C |
| 2/c | ELT0030704 | D6 ROUND KEY |
| 3 | SCH0003240 | XS-E EXPANSION (Only for Espresso version) |
| 3/a | ELT0007151 | 1-WAY 24V D.C. 10A RELAY |
| 3/b | ELT0003028 | SLOW-BLOW GLASS FUSE 5 x 20 6,3 A COD/COL |

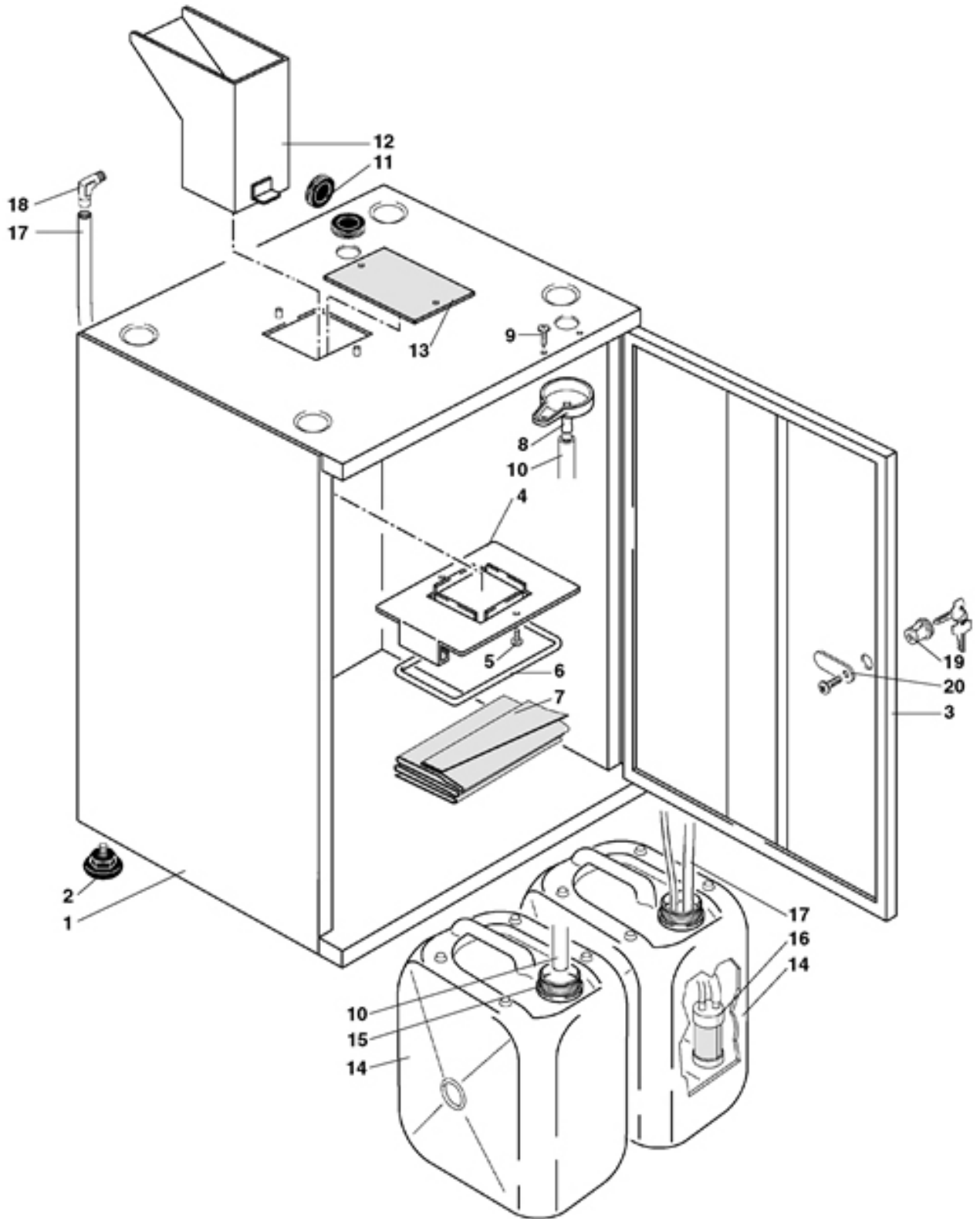


XM - CONTROL AND POWER LOGIC

| Pos. | Code | Description |
|------|------------|--|
| 1 | SCH0004400 | CPU/ POWER |
| 1/a | ELT0030066 | EAROM 25640 |
| 1/b | ELT0004025 | TRANSISTOR BTS 133 |
| 1/c | ELT0004020 | TRANSISTOR BDW93C |
| 1/d | ELT0030140 | MCT INTEGRATED 6 Q.T. |
| 1/e | ELT0007159 | 2-WAY 24V D.C. 10A RELAY |
| 1/f | ELT0007151 | 1-WAY 24V D.C. 10A RELAY |
| 1/g | ELE0003028 | 5A SLOW-BLOW GLASS FUSE 5x20 |
| 1/h | ELE0003025 | 2A RAPID GLASS FUSE 5x20 |
| 1/i | ELT0004026 | TRANSISTOR BTS 141 |
| 1/l | ELT0030305 | INTEGRATED CIRCUIT 7812 |
| 1/m | ELT0030301 | INTEGRATED CIRCUIT 7805 |
| 1/n | ELT0004209 | TRIAC TRIAC 16 A |
| 2 | SCH0004100 | DISPLAY/ACTUATORS 'XM' |
| 2/a | ELT0004020 | TRANSISTOR BDW93C |
| 2/b | ELT0030704 | D6 ROUND KEY |
| 3 | SCH0003240 | XS-E EXPANSION (Only for Espresso version) |
| 3/a | ELT0007151 | 1-WAY 24V D.C. 10A RELAY |
| 3/b | ELT0003028 | SLOW-BLOW GLASS FUSE 5 x 20 6,3 A COD/COL |



| Pos. | Code | Description | |
|------|--------------|--|---------|
| 1 | 0030010075 | COIN RETURN INLET SUPPORT | |
| 2 | 0030010066 | COIN RETURN SWITCH PIN | |
| 3 | 0030010073 | COIN INTRODUCTION CHUTE | |
| 4 | 0020027026NA | COINS RETURN BLACK PUSH-BUTTON | |
| 5 | 0020027027 | COIN RETURN SWITCH PIN | |
| 6 | 0030010070 | COIN RETURN SWITCH SUPPORT | |
| 7 | 0030010071 | SPACER | |
| 8 | 0030010067 | COIN RETURN LEVER | |
| 9 | 0030010072 | CONTRAST SQUARE | |
| 10 | 0030010081 | COIN RETURN LEVER SPRING | |
| 11 | VIT0000201 | SCREW T.E. M 3 x 8 INOX | |
| 12 | VIT0007102 | BENZING-QUICKLOCK | |
| 13 | 0030010063 | COVER FORCOIN BOX | |
| 14 | 0010022140 | COIN BOX SUPPORT ASSEMBLY | |
| 15 | 0030010056 | COIN BOX PROTECTION | |
| 16 | 0030010055 | DUAL LOCK H-25 MM. FIXATION | |
| 17 | 0030010052 | COIN BOX | |
| 18 | 0030010051 | COIN BOX COVER | |
| 19 | SER0001005 | LOCK BRACKET | |
| 20 | SER0000020 | LOCK 154 BOX 5 DT mm 20 RAPID | |
| 21 | 0020040231 | COINS RETURN TRAY | |
| 22 | 0020040214 | COIN RETURN HATCH | |
| 23 | 0020027052 | COINS RETURN HATCH COUNTER-WIGHT | |
| 24 | VIT0002401 | TAPPING SCREW TCB 3.5 x 9.5 | |
| 25 | VIT0002452 | TAPPING SCREW TCB 3.5 x 12 | |
| 26 | 0020040234 | HATCH DOOR FRONT COVER | |
| 27 | 0020040236 | KEY TAB | |
| 28 | 0020040237 | LOCK PLATE | |
| 29 | 4600010012 | SECURING CONNECTION | |
| 30 | VIT0002002 | 3.5 x 6.5 TCB SCREW | |
| 100 | 0030010060R | COIN BOX COVER ASSEMBLY (From pos. 1 to 13 + pos.30) | assieme |



| Pos. | Code | Description |
|------|------------|------------------------------------|
| 1 | 0010022201 | BASE CABINET STRUCTURE XM |
| 2 | 0010005016 | CABINET FEET |
| 3 | 0010022208 | BASE DOOR SUPPORT |
| 4 | 0010021236 | MARCS BAG RING SUPPORT |
| 5 | VIT0007008 | M 4 x 10 SCREW |
| 6 | 0260003011 | GROUNDS BAG SUPPORT |
| 7 | IMB0000051 | COFFEE GROUNDS BAG |
| 8 | 0010021214 | CONE |
| 9 | VIT0002455 | QUICK-THREAD SCREW 3.5 x 20 |
| 10 | TSIL07/11T | TRANSPARENT SILICONE PIPE D.7 x 11 |
| 11 | GUA0010502 | MEMBRANE CORE HITCH Ø 21 |
| 12 | 0010022123 | COFFEE GROUP GROUNDS CHUTE |
| 13 | 0010020347 | GROUNDS ROOM CLOSING |
| 14 | CON0000304 | 20 LT. CANISTER |
| 15 | CON0000305 | CANISTER PLUG |
| 16 | 0110004028 | ELEGANT 24V-DC PUMP |
| 17 | TSIL07/11T | TRANSPARENT SILICONE PIPE D.7 x 11 |
| 18 | 0100003013 | TGV PUMP ELBOW |
| 19 | SER0000010 | BOX 5 RAPID EXTENSION LOCK |
| 20 | SER0001005 | LOCK BRACKET |