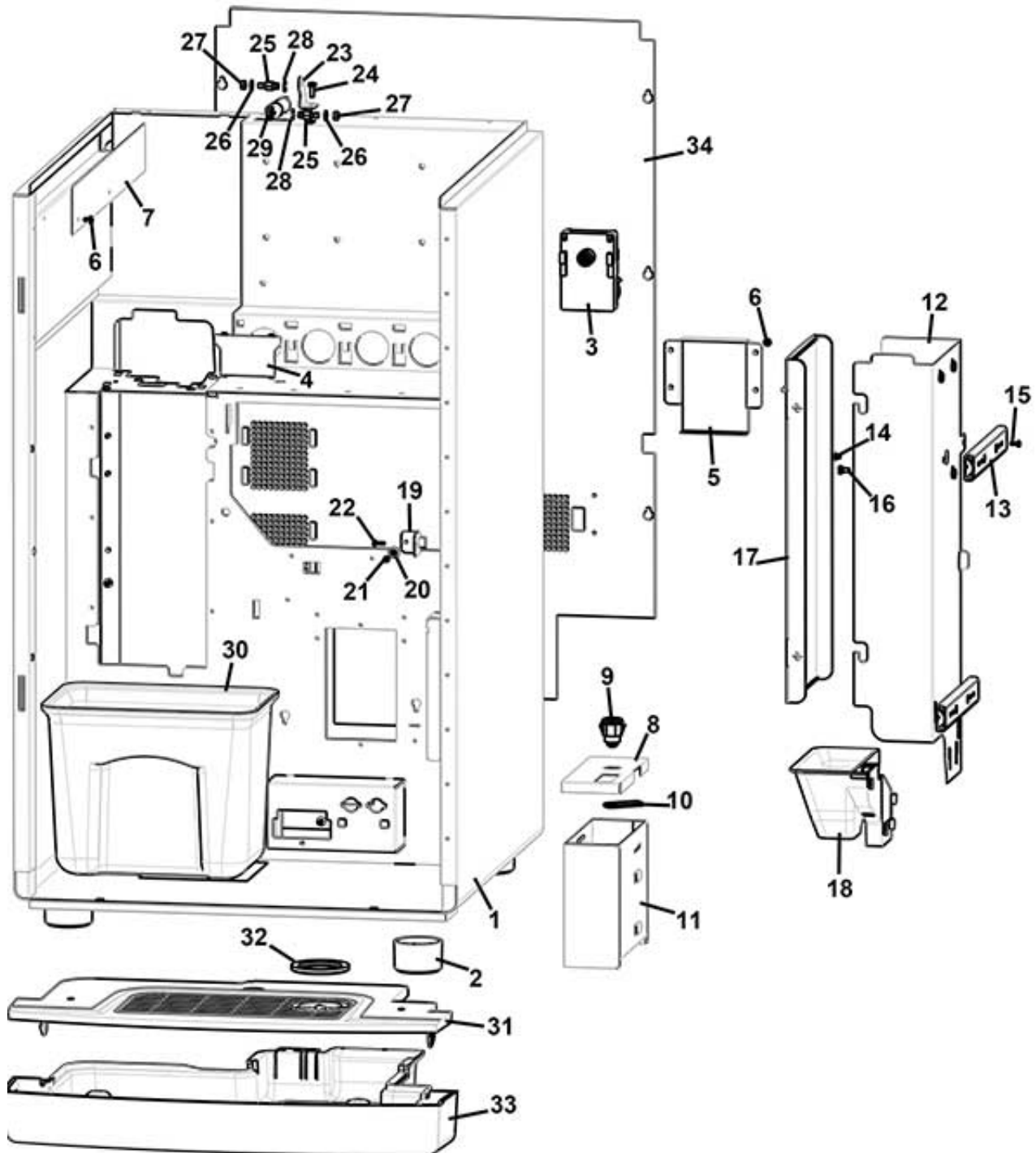


vending machine



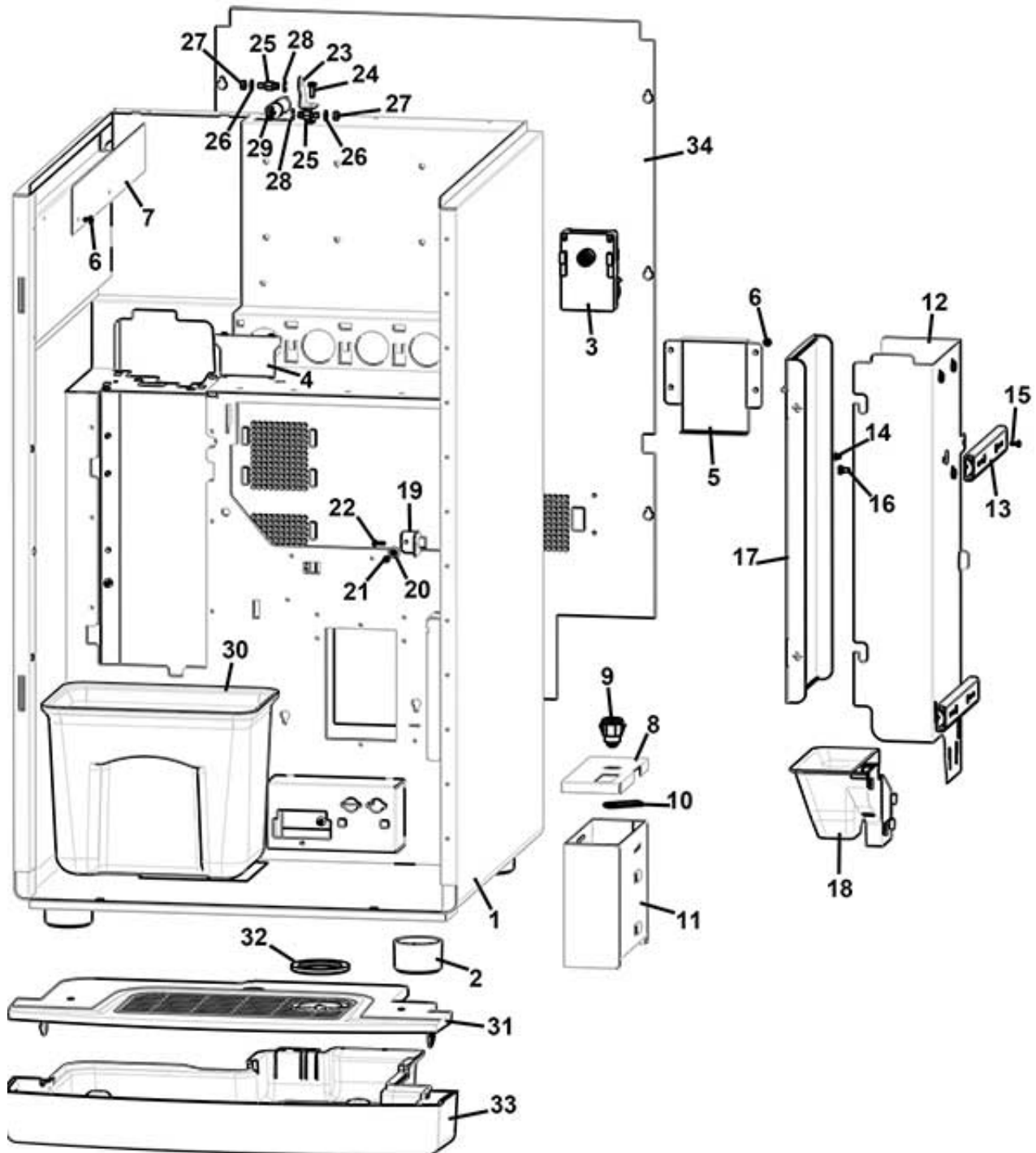
spare parts manual

cabinet (espresso version)



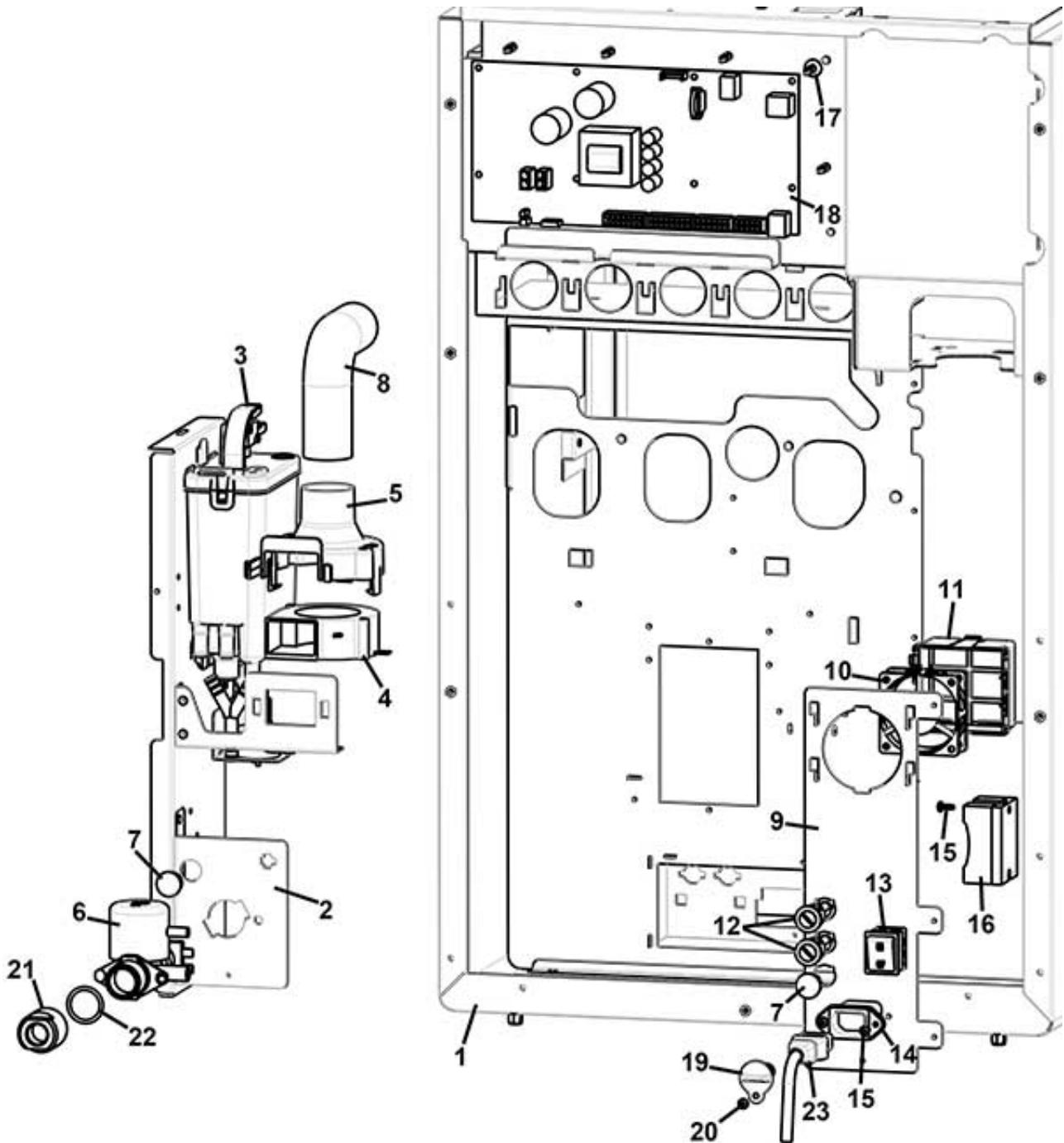
cabinet (espresso version)		
Pos.	Code	Description
1	0010026155NA	CABINET (BLACK)
2	Z0010024111CL1	§ MACHINE FOOT D.50X29 RAL9005
3	Z0090002113	MOTOR 24 DC 97 RPM
4	Z0010020029NA	GEARBOX MOTOR PLUG BLACK
5	0010026018NA	BULKHEAD
6	VIT0002009	SCREW ST HEAD CAP M3.5X6.5
7	0010026165NA	WIRING COVER
8	Z0030010166NA	COIN BOX LID (BLACK)
9	SER0000020	LOCK MM20 + KEY 3425
10	SER0001005	LOCK PLATE
11	Z0030010160NA	COIN BOX (BLACK)
12	Z0010026022NA	PAYM SYSTEM SUPPORT BLACK
13	VIT0010201	GUIDE
14	VIT0000133	SCREW COUNT FLAT HEAD M4X5
15	VIT0000004	SCREW HEAD TAP CAP M3X10
16	4060010126	PAYM SYSTEM FIXING SCREW
17	Z0010026171TR	PAYM SYSTEM COVER TRANSPARENT
18	Z0010026025NA	COINS CHUTE
19	Z0010026167	MAGNET SUPPORT
20	ELT0030760	MAGNET D 10X3
21	VIT0000121	SCREW COUNT FLAT HEAD M3X8
22	VIT0000004	SCREW HEAD TAP CAP M3X10
23	0010026032NA	GAS SPRING LOWER BRACKET
25	0010026033	GAS SPRING PIN
26	VIT0003004	WASHER 5,3X10X1
27	VIT0004804	NUT M5
28	VIT0006504	RING 5
29	VIT0010206	GAS SPRING
30	Z0010026121NA	GROUND CONTAINER (BLACK)
31	Z0020043058NA	DRIP TRAY GRID
32	Z0020043019	DRIP TRAY GRID RING
33	Z0020043056CL	§ DRIP TRAY
34	Z0010026015-02NA	REAR DOOR (BLACK)

cabinet (espresso version)



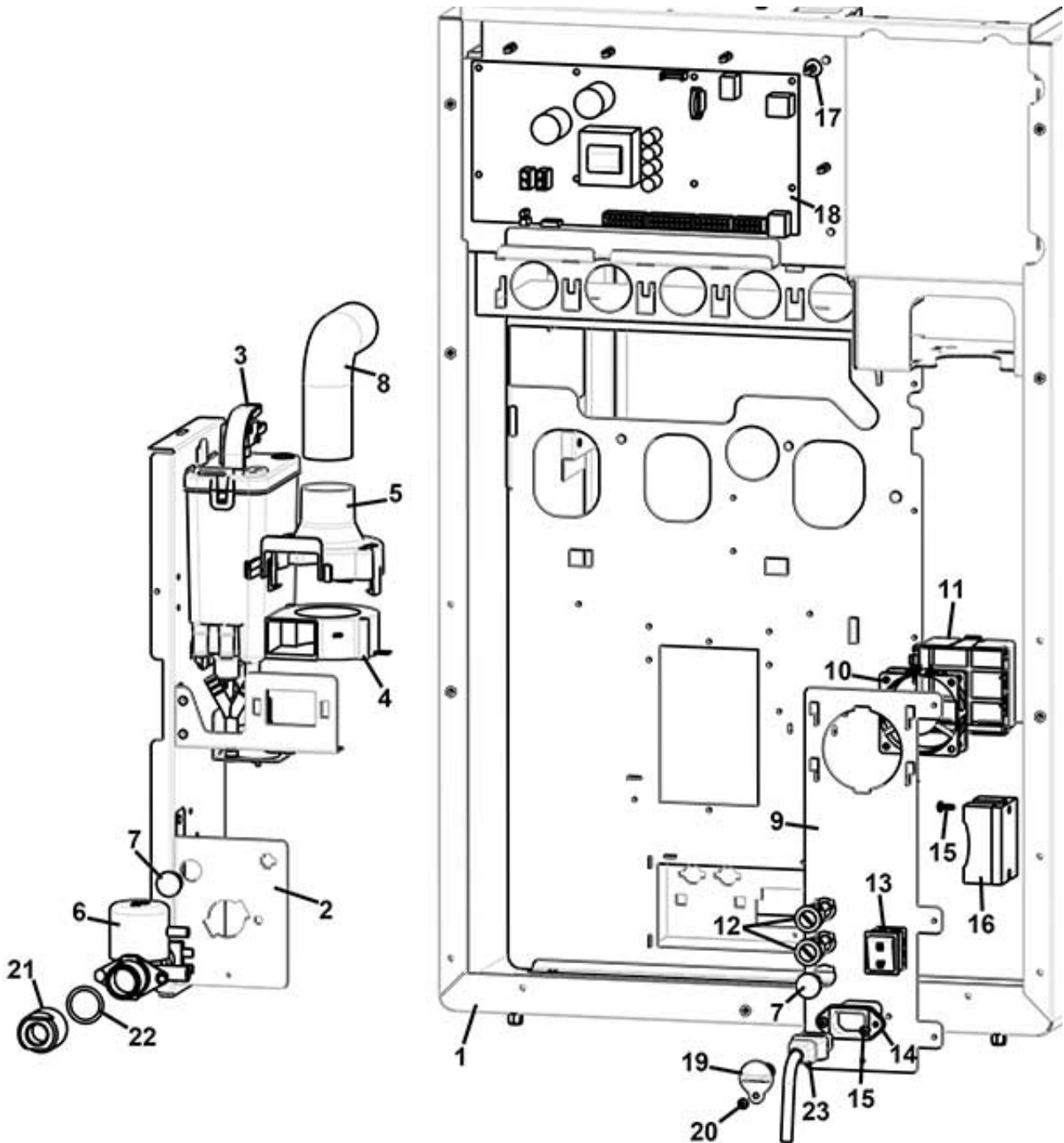
cabinet (espresso version)		
Pos.	Code	Description
1	0010026155NA	CABINET (BLACK)
2	Z0010024111CL1	§ MACHINE FOOT D.50X29 RAL9005
3	Z0090002113	MOTOR 24 DC 97 RPM
4	Z0010020029NA	GEARBOX MOTOR PLUG BLACK
5	0010026018NA	BULKHEAD
6	VIT0002009	SCREW ST HEAD CAP M3.5X6.5
7	0010026165NA	WIRING COVER
8	Z0030010166NA	COIN BOX LID (BLACK)
9	SER0000020	LOCK MM20 + KEY 3425
10	SER0001005	LOCK PLATE
11	Z0030010160NA	COIN BOX (BLACK)
12	Z0010026022NA	PAYM SYSTEM SUPPORT BLACK
13	VIT0010201	GUIDE
14	VIT0000133	SCREW COUNT FLAT HEAD M4X5
15	VIT0000004	SCREW HEAD TAP CAP M3X10
16	4060010126	PAYM SYSTEM FIXING SCREW
17	Z0010026171TR	PAYM SYSTEM COVER TRANSPARENT
18	Z0010026025NA	COINS CHUTE
19	Z0010026167	MAGNET SUPPORT
20	ELT0030760	MAGNET D 10X3
21	VIT0000121	SCREW COUNT FLAT HEAD M3X8
22	VIT0000004	SCREW HEAD TAP CAP M3X10
23	0010026032NA	GAS SPRING LOWER BRACKET
25	0010026033	GAS SPRING PIN
26	VIT0003004	WASHER 5,3X10X1
27	VIT0004804	NUT M5
28	VIT0006504	RING 5
29	VIT0010206	GAS SPRING
30	Z0010026121NA	GROUND CONTAINER (BLACK)
31	Z0020043058NA	DRIP TRAY GRID
32	Z0020043019	DRIP TRAY GRID RING
33	Z0020043056CL	§ DRIP TRAY
34	Z0010026015-02NA	REAR DOOR (BLACK)

rear view cabinet (espresso version)



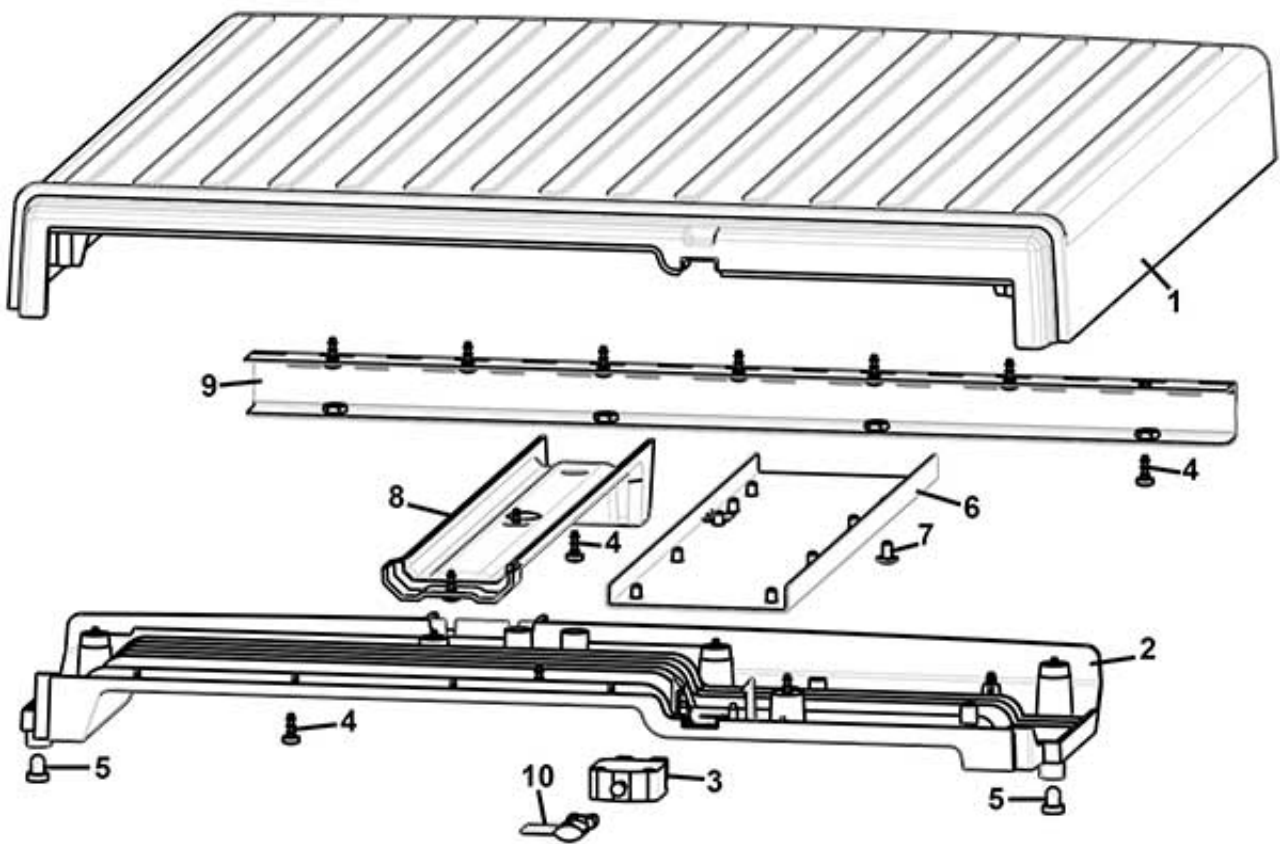
rear view cabinet (espresso version)		
Pos.	Code	Description
1	0010026155NA	CABINET (BLACK)
2	0010026046NA	AIR BREAK SUPPORT (BLACK)
3		See table water inlet panel
4	ELE0000465R	§ TRAP 24V DC
5	Z0010024129NA	TRAP SUPPORT
6	Z0110001086	WATER INLET VALVE 24V DC
7	GUA0011010	PLUG
8	TEOL000002CL2	L.220M D.30 WRINKLED PIPE
9/a	0130013082NA	ELECTRIC COMPONENTS SUPPORT (BLACK)
9/b	0130013085NA	ELECTRIC COMPONENTS SUPPORT (BLACK)
10	ELE0000462	FAN 24V DC-LOW SPEED
11	Z0010027064	FAN SUPPORT
12	ELE0003508CL	FUSE HOLDER STRAIGHT + FUSE 12A
13	ELE0002014CL3	BIPOLAR SWITCH 15A 250V
14	ELE0002315	MAINS SOCKET 115/250V 10A
15	VIT0002010	SCREW ST HEAD CAP M3.5X9.5
16	ELE0001012R	§ RELAY + COVER
17	ELE0062020	PLASTIC BOARD SUP. RLCBSK-10-01BK BLACK
18	SCH0008964	CPU/POWER BOARD
19	Z0600016455	H2O OUTLET PLUG
20	VIT0002009	SCREW ST HEAD CAP M3.5X6.5
21	Z0810010558	WATER INLET VALVE CONNECTOR
22	GUA0000021	OR 130
23	ELE0055008	SUPPLY CABLE+PLUG+SCHUK.SOCKET

rear view cabinet (espresso version)



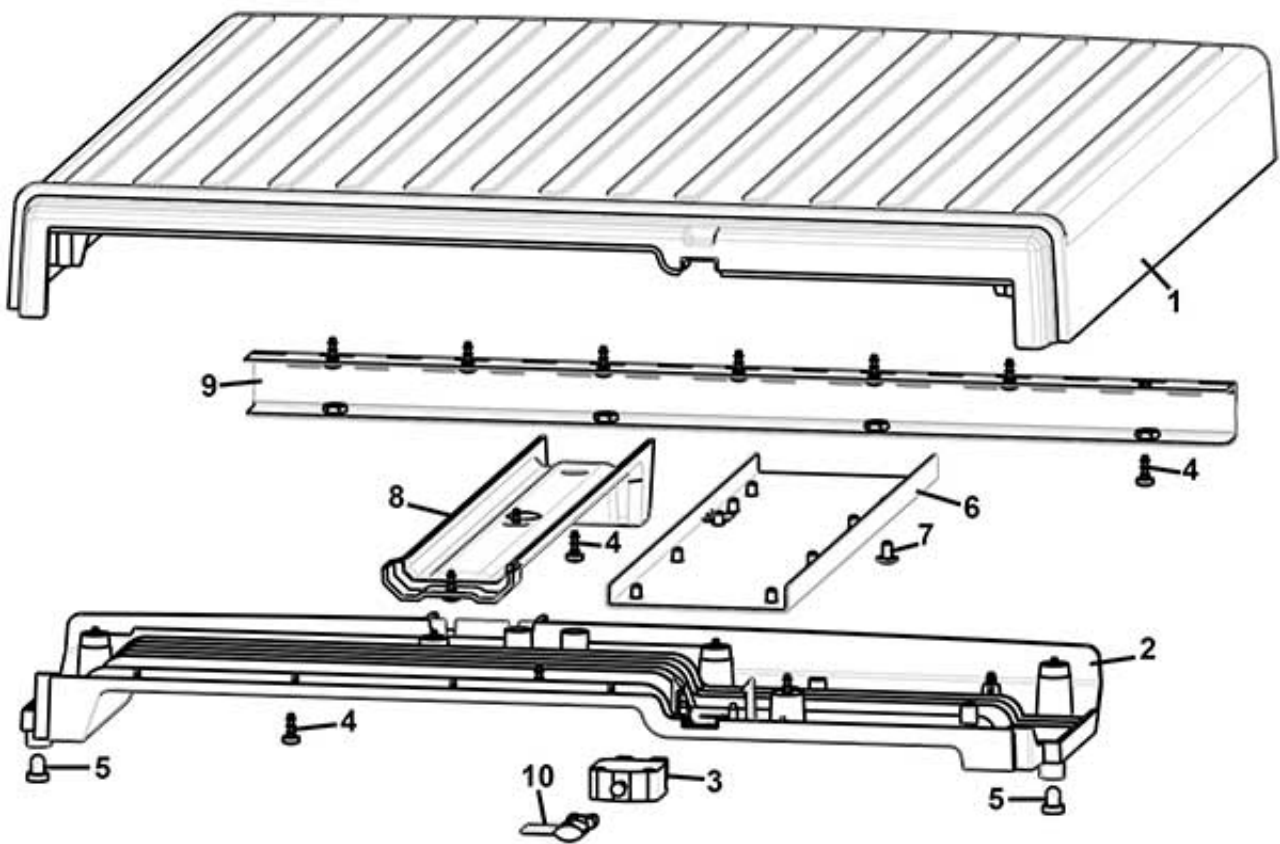
rear view cabinet (espresso version)		
Pos.	Code	Description
1	0010026155NA	CABINET (BLACK)
2	0010026046NA	AIR BREAK SUPPORT (BLACK)
3		See table water inlet panel
4	ELE0000465R	§ TRAP 24V DC
5	Z0010024129NA	TRAP SUPPORT
6	Z0110001086	WATER INLET VALVE 24V DC
7	GUA0011010	PLUG
8	TEOL000002CL2	L.220M D.30 WRINKLED PIPE
9/a	0130013082NA	ELECTRIC COMPONENTS SUPPORT (BLACK)
9/b	0130013085NA	ELECTRIC COMPONENTS SUPPORT (BLACK)
10	ELE0000462	FAN 24V DC-LOW SPEED
11	Z0010027064	FAN SUPPORT
12	ELE0003508CL	FUSE HOLDER STRAIGHT + FUSE 12A
13	ELE0002014CL3	BIPOLAR SWITCH 15A 250V
14	ELE0002315	MAINS SOCKET 115/250V 10A
15	VIT0002010	SCREW ST HEAD CAP M3.5X9.5
16	ELE0001012R	§ RELAY + COVER
17	ELE0062020	PLASTIC BOARD SUP. RLCBSK-10-01BK BLACK
18	SCH0008964	CPU/POWER BOARD
19	Z0600016455	H2O OUTLET PLUG
20	VIT0002009	SCREW ST HEAD CAP M3.5X6.5
21	Z0810010558	WATER INLET VALVE CONNECTOR
22	GUA0000021	OR 130
23	ELE0055008	SUPPLY CABLE+PLUG+SCHUK.SOCKET

UPPER COVER



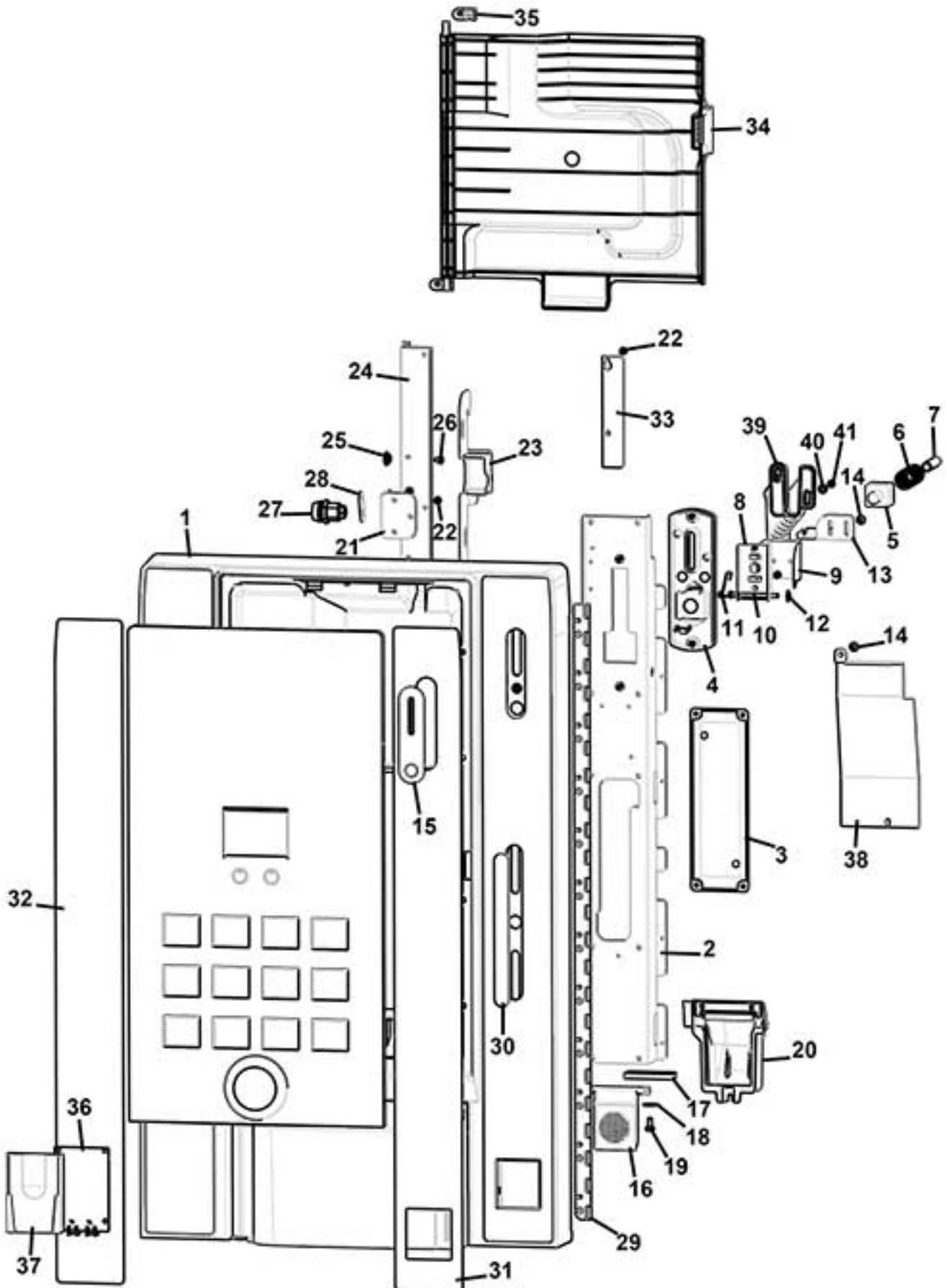
UPPER COVER		
Pos.	Code	Description
1/a	Z0010026051CM	UPPER LID (RAL9006)
1/b	Z0010026051NA	UPPER LID (RAL9005)
2	0010026058CG	UPPER COVER CLOSING (RAL7035)
3	ELE0002019	SWITCH 16A 250V
4	VIT0002469	SCREW HEAD TAP M3.5X10
5	Z0020018061	SELECTION BUTTON PLUG
6	0010026054CG	GAS SPRING SUPPORT (RAL7035)
7	VIT0000030	SCREW HEAD TAP CAP M4X7
8	0010026057CG	WIRING SUPPORT (RAL7035)
9	0010026037NA	UPPER LID HINGE (BLACK)
10	Z0270011109R0	§ SERVICE KEY

UPPER COVER



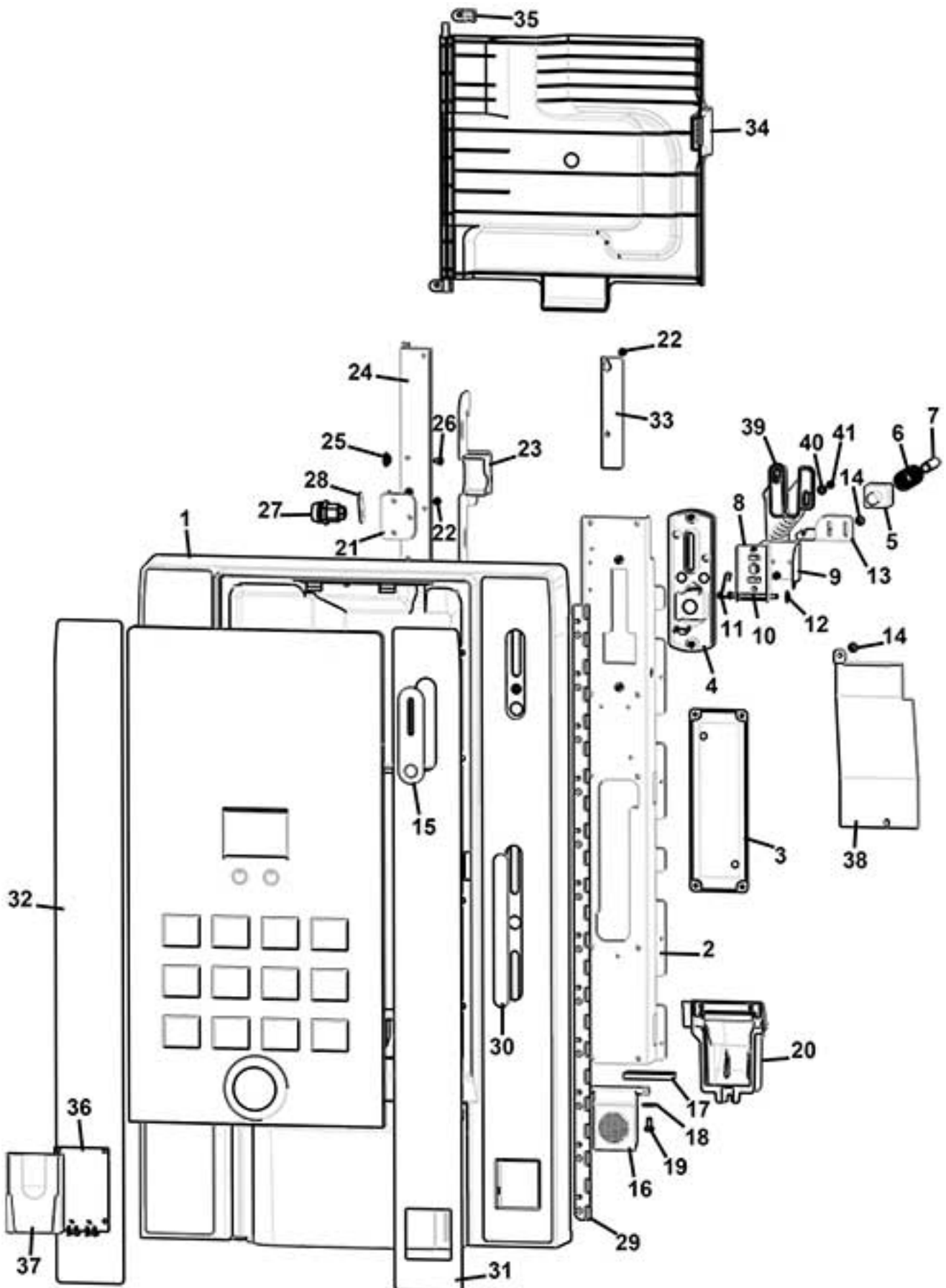
UPPER COVER		
Pos.	Code	Description
1/a	Z0010026051CM	UPPER LID (RAL9006)
1/b	Z0010026051NA	UPPER LID (RAL9005)
2	0010026058CG	UPPER COVER CLOSING (RAL7035)
3	ELE0002019	SWITCH 16A 250V
4	VIT0002469	SCREW HEAD TAP M3.5X10
5	Z0020018061	SELECTION BUTTON PLUG
6	0010026054CG	GAS SPRING SUPPORT (RAL7035)
7	VIT0000030	SCREW HEAD TAP CAP M4X7
8	0010026057CG	WIRING SUPPORT (RAL7035)
9	0010026037NA	UPPER LID HINGE (BLACK)
10	Z0270011109R0	§ SERVICE KEY

door



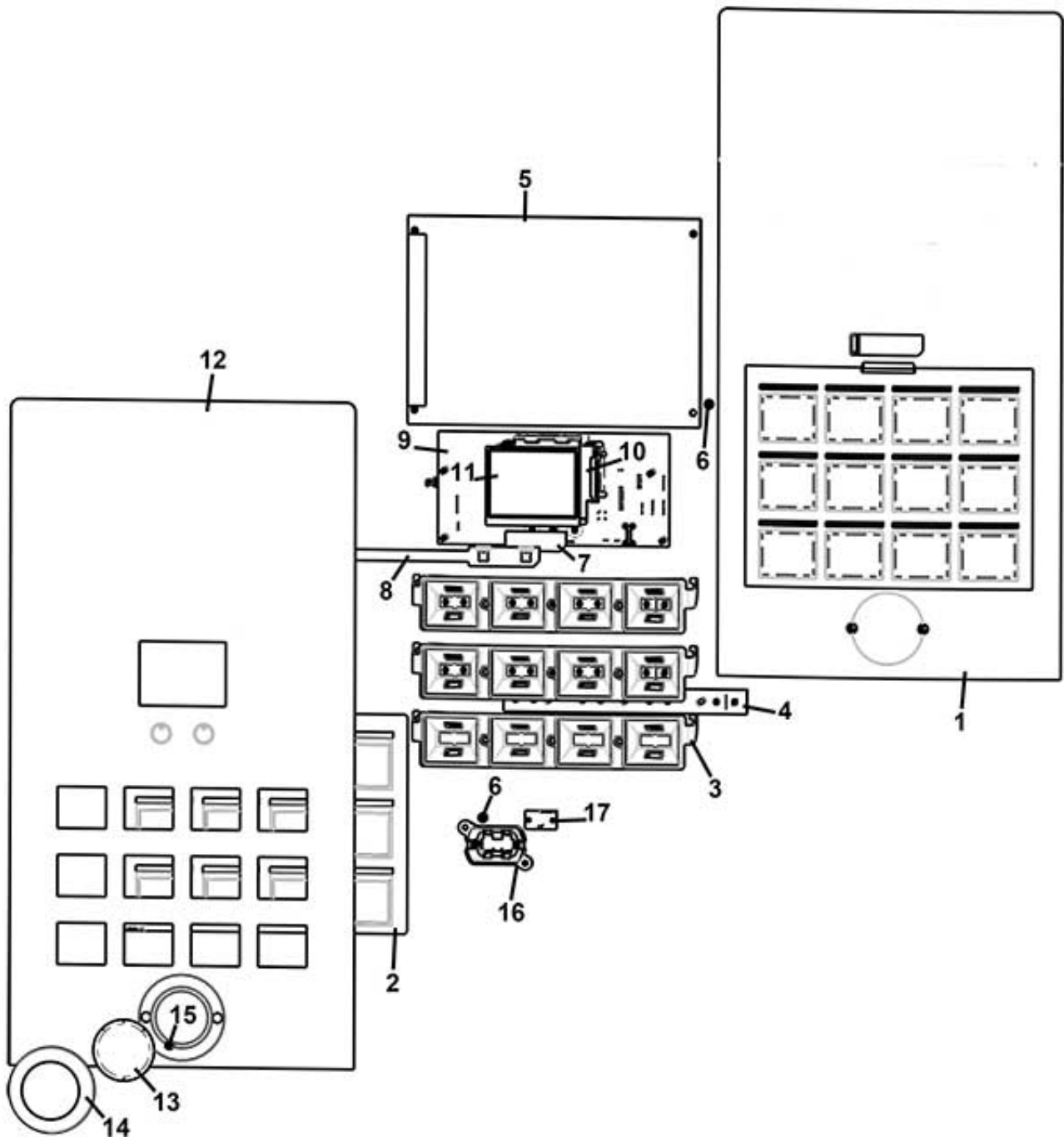
door		
Pos.	Code	Description
1/a	Z0020043006CM	DOOR (RAL9006)
1/b	Z0020043006NA	DOOR (RAL9005)
2	0020043035NA	HINGE REINFORCEMENT (BLACK)
3	Z0020043109NA	COIN INLET PLUG (BLACK)
4	0020043061NA	COIN INLET SUPPORT (BLACK)
5/a	Z0020043063CM	COIN RETURN BUTTON (RAL9006)
5/b	Z0020043063NA	COIN RETURN BUTTON (RAL9006)
6	4050010074	COIN RETURN BUTTON SPRING
7	Z0020034023	COIN RETURN PIN
8	0020043064	COIN RETURN BUTTON BRACKET
9	0020043065	COIN RETURN LEVER
10	Z0020034187	PIN
11	Z0020043068	COIN RETURN SPRING
12	VIT0007102	BENZING CLIP
13	0020043066	COIN RETURN LEVER ADJUSTABLE
14	VIT0002401	SCREW ST HEAD CAP M3.5X9.5
15/a	Z0020043067CM	COIN MECH. PLATE (RAL9006)
15/b	Z0020043067NA	COIN MECH. PLATE (RAL9005)
16	Z0020043072NA	COIN RETURN FLAP (BLACK)
17	Z0020042082	COIN RETURN FLAP COUNTERWEIGHT
18	VIT0003302	WASHER 5,5X15X1,6
19	VIT0000208	SCREW HEX HEAD M5X10
20	Z0020043070NA	COIN RETURN CONTAINER (BLACK)
21	0020043032	LOCK SUPPORT
22	VIT0002469	SCREW HEAD TAP M3.5X10
23	Z0020043033NA	DOOR BLOCK SHAFT SUPP. (BLACK)
24	SER0001019	DOOR BLOCK SHAFT
25	Z0020024618	COIN BOX FLOWING NUT
26	VIT0000021	SCREW HEAD TAP CAP M4X6
27/a	SER0000001	LOCK 20MM
27/b	SER0000023	RIELDA LOCK + KEY
28/a	SER0001010	LOCK PLATE
28/b	SER0001016	LOCK PLATE FOR RILED A LOCK
29	0010026120	DOOR HINGE
30	Z0020039416	COIN ENTRY BLANK PLATE
31/a	1030000021	DOOR RIGHT LATERAL GRAPHIC PANEL-BLACK
31/b	1030000022	DOOR RIGHT LATERAL GRAPHIC PANEL-WHITE
32/a	1030000025	DOOR LEFT LATERAL GRAPHIC PANEL-BLACK
32/b	1030000026	DOOR LEFT LATERAL GRAPHIC PANEL-WHITE
33	0020043078NA	DOOR CABLES PLATE
34	0020043036IC	BOARD COVER (RAL2011)
35	Z0020043037NA	BOARD FIXING BRACKET
36	SCH0006260	RFID CARD READER
37	0020043077NA	PAY. CARDS SUPPORT (BLACK)
38	Z0020043111NA	RFID COVER (BLACK)
40	VIT0003301	WASHER 4,3X12X1,5
41	VIT0002466	SCREW HEAD TAP M3.5X16

door



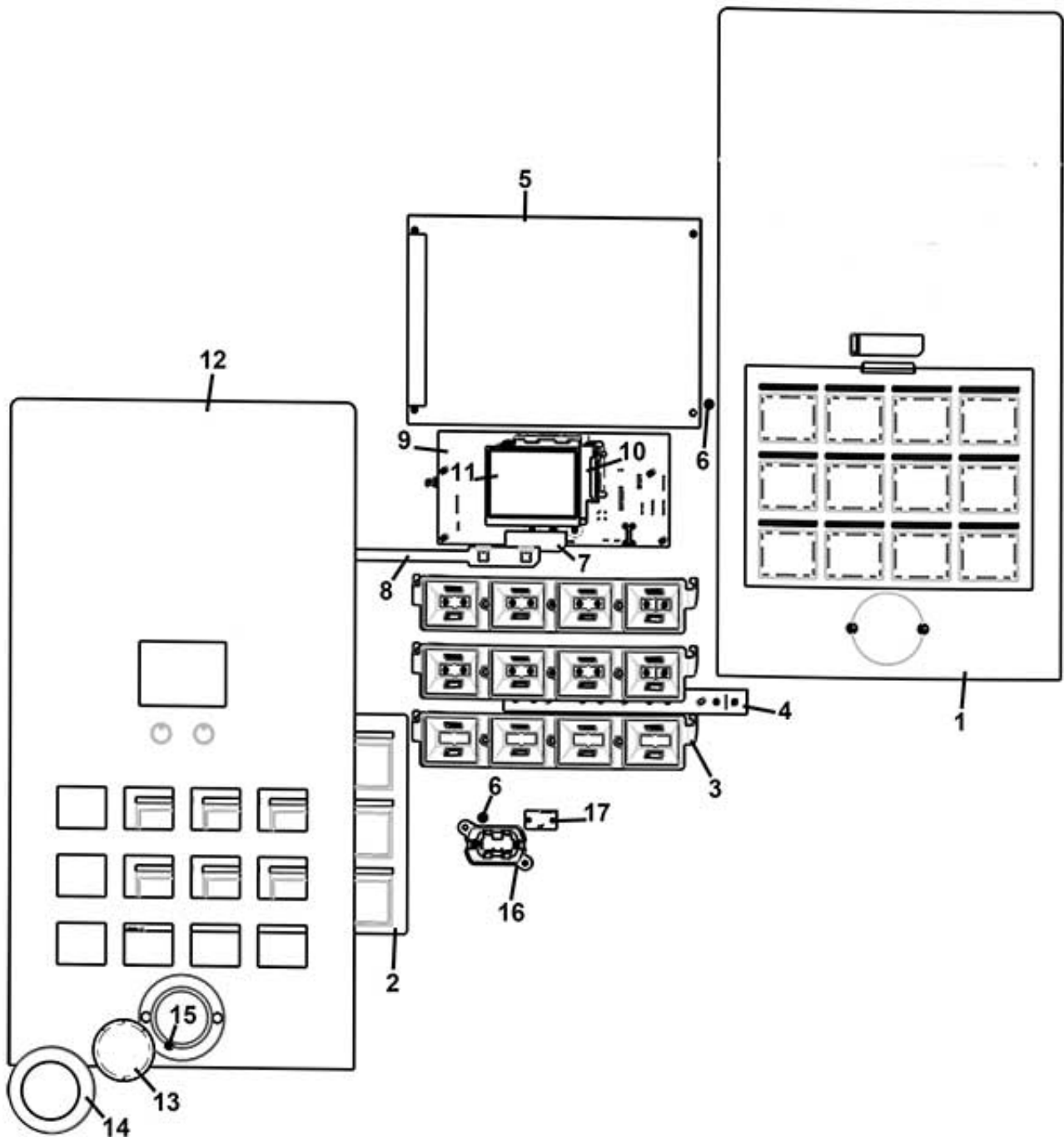
door		
Pos.	Code	Description
1/a	Z0020043006CM	DOOR (RAL9006)
1/b	Z0020043006NA	DOOR (RAL9005)
2	0020043035NA	HINGE REINFORCEMENT (BLACK)
3	Z0020043109NA	COIN INLET PLUG (BLACK)
4	0020043061NA	COIN INLET SUPPORT (BLACK)
5/a	Z0020043063CM	COIN RETURN BUTTON (RAL9006)
5/b	Z0020043063NA	COIN RETURN BUTTON (RAL9006)
6	4050010074	COIN RETURN BUTTON SPRING
7	Z0020034023	COIN RETURN PIN
8	0020043064	COIN RETURN BUTTON BRACKET
9	0020043065	COIN RETURN LEVER
10	Z0020034187	PIN
11	Z0020043068	COIN RETURN SPRING
12	VIT0007102	BENZING CLIP
13	0020043066	COIN RETURN LEVER ADJUSTABLE
14	VIT0002401	SCREW ST HEAD CAP M3.5X9.5
15/a	Z0020043067CM	COIN MECH. PLATE (RAL9006)
15/b	Z0020043067NA	COIN MECH. PLATE (RAL9005)
16	Z0020043072NA	COIN RETURN FLAP (BLACK)
17	Z0020042082	COIN RETURN FLAP COUNTERWEIGHT
18	VIT0003302	WASHER 5,5X15X1,6
19	VIT0000208	SCREW HEX HEAD M5X10
20	Z0020043070NA	COIN RETURN CONTAINER (BLACK)
21	0020043032	LOCK SUPPORT
22	VIT0002469	SCREW HEAD TAP M3.5X10
23	Z0020043033NA	DOOR BLOCK SHAFT SUPP. (BLACK)
24	SER0001019	DOOR BLOCK SHAFT
25	Z0020024618	COIN BOX FLOWING NUT
26	VIT0000021	SCREW HEAD TAP CAP M4X6
27/a	SER0000001	LOCK 20MM
27/b	SER0000023	RIELDA LOCK + KEY
28/a	SER0001010	LOCK PLATE
28/b	SER0001016	LOCK PLATE FOR RILED A LOCK
29	0010026120	DOOR HINGE
30	Z0020039416	COIN ENTRY BLANK PLATE
31/a	1030000021	DOOR RIGHT LATERAL GRAPHIC PANEL-BLACK
31/b	1030000022	DOOR RIGHT LATERAL GRAPHIC PANEL-WHITE
32/a	1030000025	DOOR LEFT LATERAL GRAPHIC PANEL-BLACK
32/b	1030000026	DOOR LEFT LATERAL GRAPHIC PANEL-WHITE
33	0020043078NA	DOOR CABLES PLATE
34	0020043036IC	BOARD COVER (RAL2011)
35	Z0020043037NA	BOARD FIXING BRACKET
36	SCH0006260	RFID CARD READER
37	0020043077NA	PAY. CARDS SUPPORT (BLACK)
38	Z0020043111NA	RFID COVER (BLACK)
40	VIT0003301	WASHER 4,3X12X1,5
41	VIT0002466	SCREW HEAD TAP M3.5X16

LIGHTING GLASS



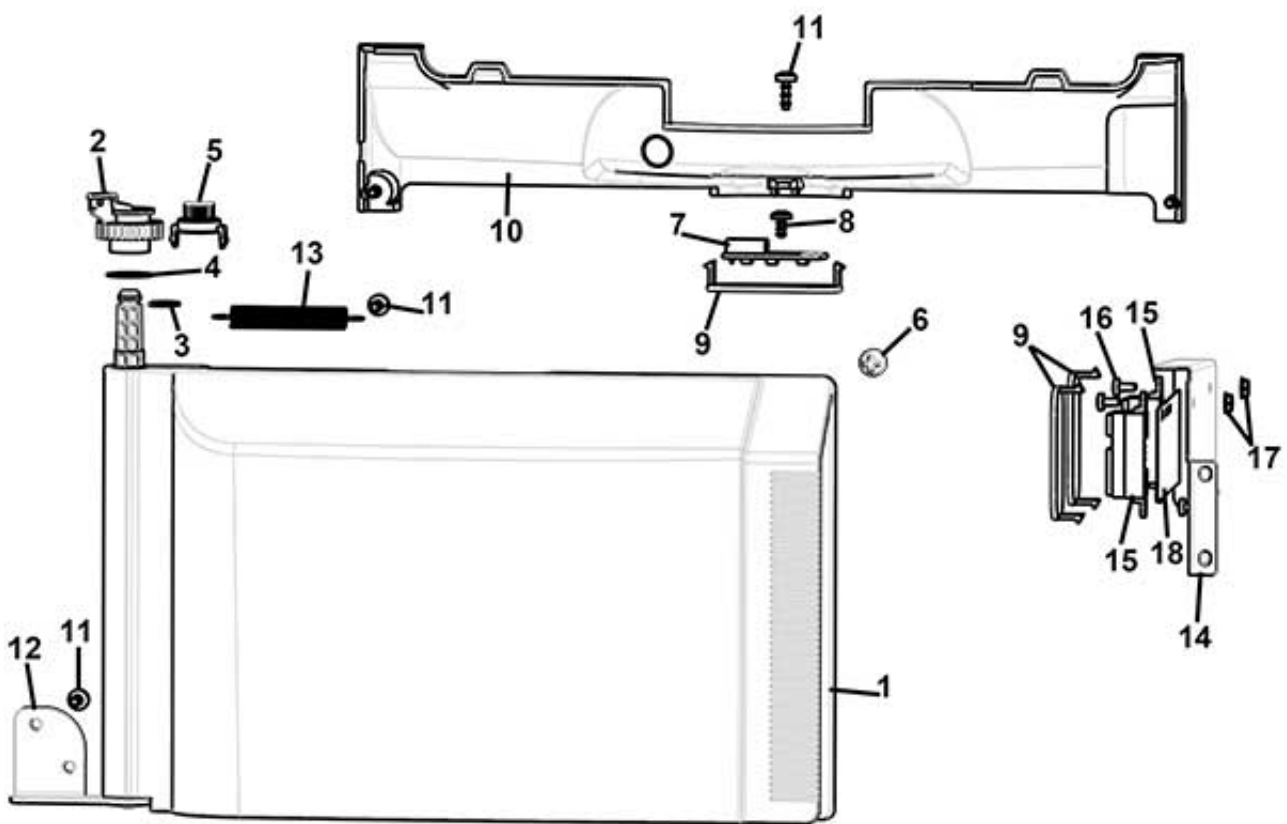
LIGHTING GLASS		
Pos.	Code	Description
1	Z0020043011	FRONTAL PLEXIGLASS
2	ELE0000475	CAPACITIVE KEYPAD
3	Z0020043083CY	LABELS GUIDE (RAL9018)
4	SCH0009540	LABELS LIGHTING BOARD
5	0020043079	LIGHTING FRONTAL PLEXIGLASS
6	VIT0002469	SCREW HEAD TAP M3.5X10
7	Z0020043029	SUGAR KEYPAD ADHESIVE
8	ELE0000474	2 BUTTONS KEYPAD
9	SCH0009982CL1	DISPLAY BOARD
10/a	Z0020043112	R.H. DISPLAY BOARD SUPPORT
10/b	Z0020043113	L.H. DISPLAY BOARD SUPPORT
11	SCH0009983	3,5" DISPLAY BOARD
12	1030000069	GRAPHIC PANEL-BLACK
13	1030000088	ADHESIVE LOGO
14	Z0020039084CL	§ DOOR LOGO FRAME
15	VIT0002466	SCREW HEAD TAP M3.5X16
16	Z0020043046NA	LOGO LIGHTING BOARD SUPPORT
17	SCH0009580	LOGO LIGHTING BOARD

LIGHTING GLASS



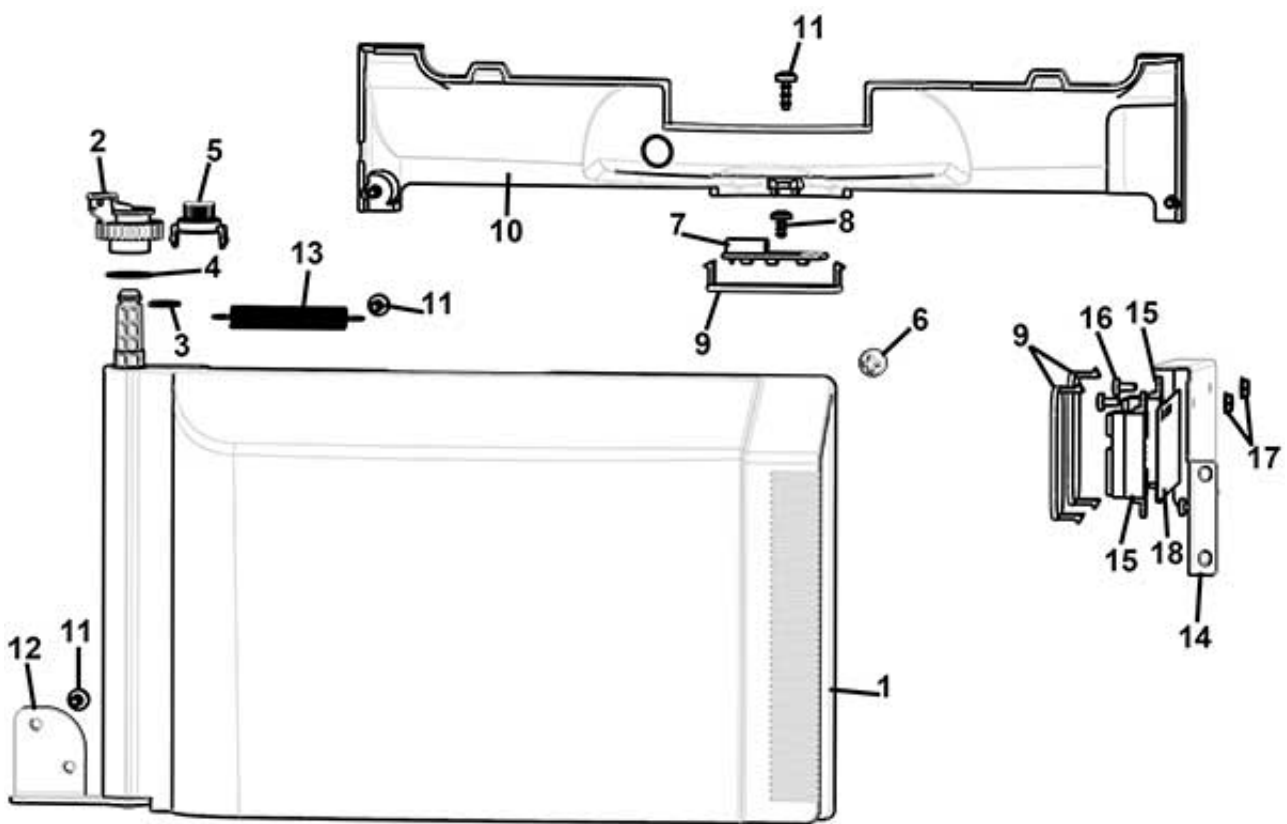
LIGHTING GLASS		
Pos.	Code	Description
1	Z0020043011	FRONTAL PLEXIGLASS
2	ELE0000475	CAPACITIVE KEYPAD
3	Z0020043083CY	LABELS GUIDE (RAL9018)
4	SCH0009540	LABELS LIGHTING BOARD
5	0020043079	LIGHTING FRONTAL PLEXIGLASS
6	VIT0002469	SCREW HEAD TAP M3.5X10
7	Z0020043029	SUGAR KEYPAD ADHESIVE
8	ELE0000474	2 BUTTONS KEYPAD
9	SCH0009982CL1	DISPLAY BOARD
10/a	Z0020043112	R.H. DISPLAY BOARD SUPPORT
10/b	Z0020043113	L.H. DISPLAY BOARD SUPPORT
11	SCH0009983	3,5" DISPLAY BOARD
12	1030000069	GRAPHIC PANEL-BLACK
13	1030000088	ADHESIVE LOGO
14	Z0020039084CL	§ DOOR LOGO FRAME
15	VIT0002466	SCREW HEAD TAP M3.5X16
16	Z0020043046NA	LOGO LIGHTING BOARD SUPPORT
17	SCH0009580	LOGO LIGHTING BOARD

CUPS STATION FLAP



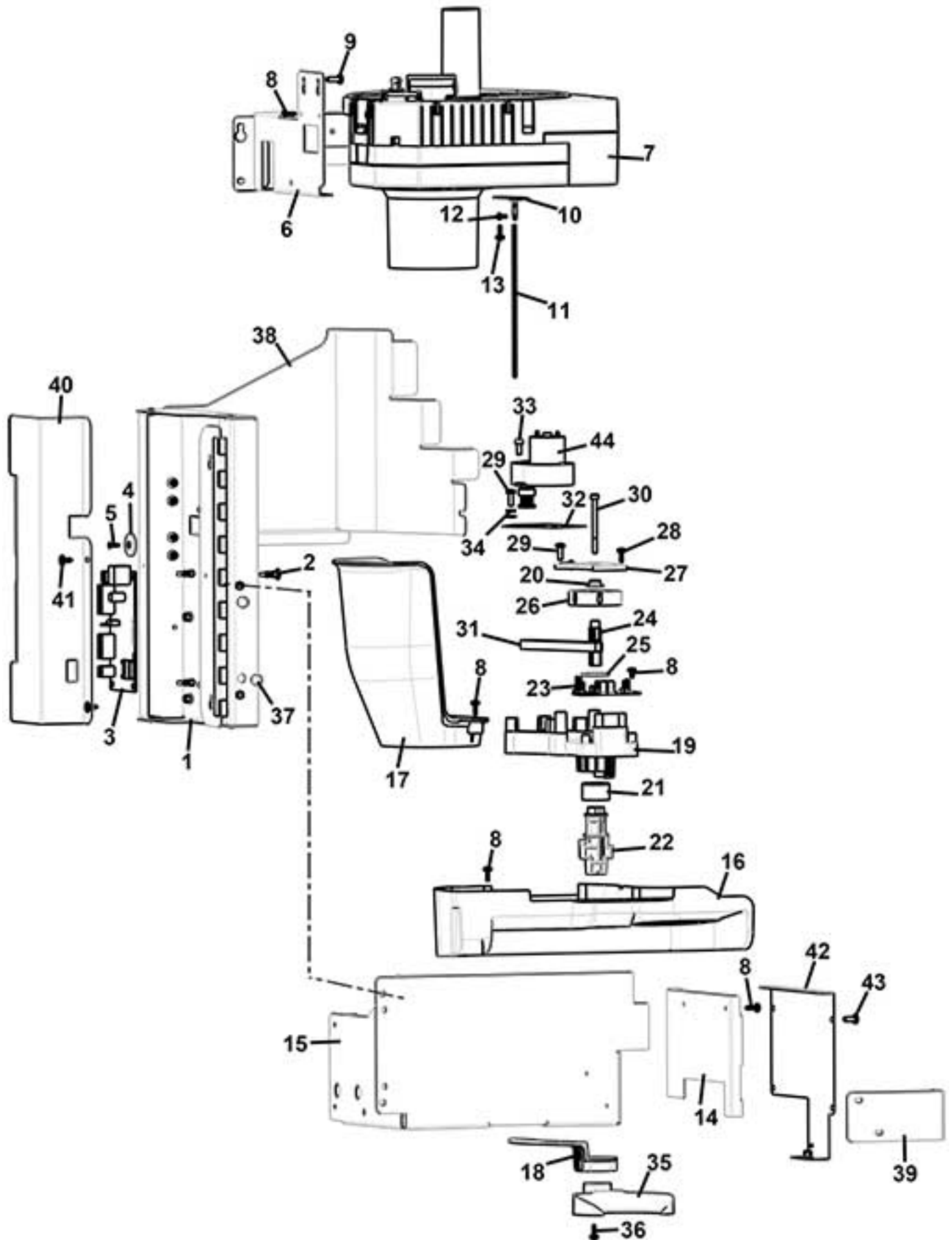
CUPS STATION FLAP		
Pos.	Code	Description
1	Z0020043040TR	CUPS STATION FLAP
2	Z0020043042	FLAP GEAR
3	VIT0006505	RING 6
4	VIT0003312	WASHER 10x16x0,5
5	Z0020043049	SLOW MOTION
6	Z0020040235	FLAP PLUG
8	VIT0002009	SCREW ST HEAD CAP M3.5X6.5
9/a	Z0020042251PM	SENSOR COVER (BLUE)
9/b	Z0020042251	PLEXIGLASS SENSOR
10	0020043031NA	DOOR LOWER COVER
11	VIT0002469	SCREW HEAD TAP M3.5X10
12	Z0020043041NA	FLAP SUPPORT
13	Z0020043048	FLAP SPRING
14	Z0020043044NA	SENSOR SUPPORT
15	ELT0006813	DISTANCE SENSOR
16	VIT0000002	SCREW HEAD TAP CAP M3X6
17	VIT0004701	NUT M3
18	Z0020043047	SENSOR ADHESIVE

CUPS STATION FLAP



CUPS STATION FLAP		
Pos.	Code	Description
1	Z0020043040TR	CUPS STATION FLAP
2	Z0020043042	FLAP GEAR
3	VIT0006505	RING 6
4	VIT0003312	WASHER 10x16x0,5
5	Z0020043049	SLOW MOTION
6	Z0020040235	FLAP PLUG
8	VIT0002009	SCREW ST HEAD CAP M3.5X6.5
9/a	Z0020042251PM	SENSOR COVER (BLUE)
9/b	Z0020042251	PLEXIGLASS SENSOR
10	0020043031NA	DOOR LOWER COVER
11	VIT0002469	SCREW HEAD TAP M3.5X10
12	Z0020043041NA	FLAP SUPPORT
13	Z0020043048	FLAP SPRING
14	Z0020043044NA	SENSOR SUPPORT
15	ELT0006813	DISTANCE SENSOR
16	VIT0000002	SCREW HEAD TAP CAP M3X6
17	VIT0004701	NUT M3
18	Z0020043047	SENSOR ADHESIVE

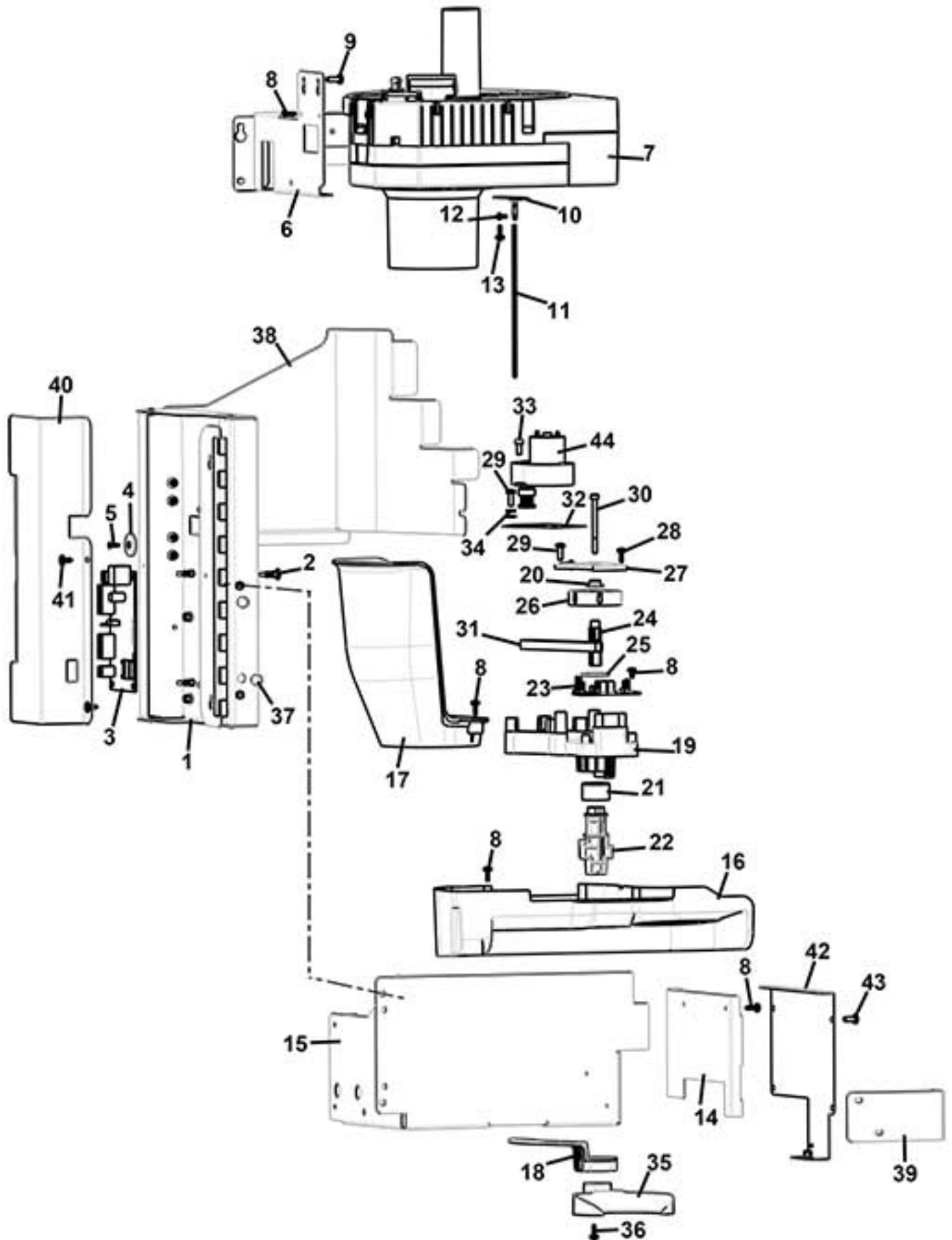
TURRET DB SUPPORT



TURRET DB SUPPORT		
Pos.	Code	Description
1	0190014005-07NA	DB SUPPORT (BLACK)
2	ELE0062020	PLASTIC BOARD SUP. RLCBSK-10-01BK BLACK
3	SCH0009600	DB BOARD
4	H00017067	MAGNET 20x3,2
5	VIT0002113	SCREW COUNT FLAT HEAD M2.9X9,5
6	0190014011NA	UPPER DB SUPPORT (BLACK)
8	VIT0002469	SCREW HEAD TAP M3.5X10
9	VIT0000014	SCREW HEAD TAP CAP M4X16
10	0190014039	D.80 CUP SLOW MOTION SUPPORT
11	0190014042	CUP SLOW MOTION
12	VIT0000002	SCREW HEAD TAP CAP M3X6
13	VIT0002009	SCREW ST HEAD CAP M3.5X6.5
14/a	Z0190014036NA	STIRRERS DISPENSER SUPPORT D.80 (BLACK)
14/b	Z0190014018NA	STIRRERS DISPENSER SUPPORT D.70/73 (BLACK)
15/a	Z0190014034NA	LOWER DB SUPPORT D.80 (BLACK)
15/b	Z0190014016NA	LOWER DB SUPPORT D.70/73 (BLACK)
16	Z0020043050NA	CUP STATION (BLACK)
17	Z0190014017NA	CUP CHUTE (BLACK)
18	Z0190014029NA	CUP STOP (BLACK)
19	Z0190014051NAR	§ FORK SUPPORT (BLACK)+INSERT
20	VIT0009330	BEARING D.8
21	VIT0009327	BEARING D.22
22	Z0190014026NAR	§ FORK SHAFT (BLACK)+INSERT
23	SCH0006940	CAMS SENSOR
24	Z0190014052	FORK PULLEY
25	Z0190014023	FORK SHAFT SPACER
26	Z0190014054NA	OPTIC READER DISC (BLACK)
27	Z0190014053	FORK SHAFT PLATE
28	VIT0002028	SCREW ST HEAD CAP M3.9X13
29	VIT0000013	SCREW HEAD TAP CAP M4X12
30	VIT0005544	SCREW ALLEN M4x50
31	Z0190014025	TOOTHED BELT
32	Z0190014055	FORK MOTOR REINFORCEMENT
33	VIT0005511	SCREW HEX HEAD REC TAP M4X10
34	VIT0003107	SPRING WASHER 4,3
35/a	Z0190014032NA	FORK D.80 (BLACK)
35/b	Z0190014030NA	FORK D.70 (BLACK)
35/c	Z0190014031NA	FORK D.73 (BLACK)
36	VIT0000030	SCREW HEAD TAP CAP M4X7
37	Z0020040235	FLAP PLUG
38/a	Z0190014033NA	DB UPPER COVER D.80 (BLACK)
38/b	Z0190014014NA	DB UPPER COVER D.70/73 (BLACK)
39	0190014013NA	STIRRERS CHUTE REINFORCEMENT (BLACK)
40	Z0190014040NA	BOARD COVER (BLACK)
41	VIT0002401	SCREW ST HEAD CAP M3.5X9.5
42/a	Z0190014048NA	DB SUPPORT COVER D.80 (BLACK)
42/b	Z0190014046NA	DB SUPPORT COVER D.70 (BLACK)

TURRET DB SUPPORT		
43	VIT0000012	SCREW HEAD TAP CAP M4X10
44	Z0090002034R1	§ MOTOR 18RPM 24VDC+PULLEY
100	Z0190014050R	§ FORK MOVEMENT From pos. 19 to pos. 44+8 and 44 Assieme

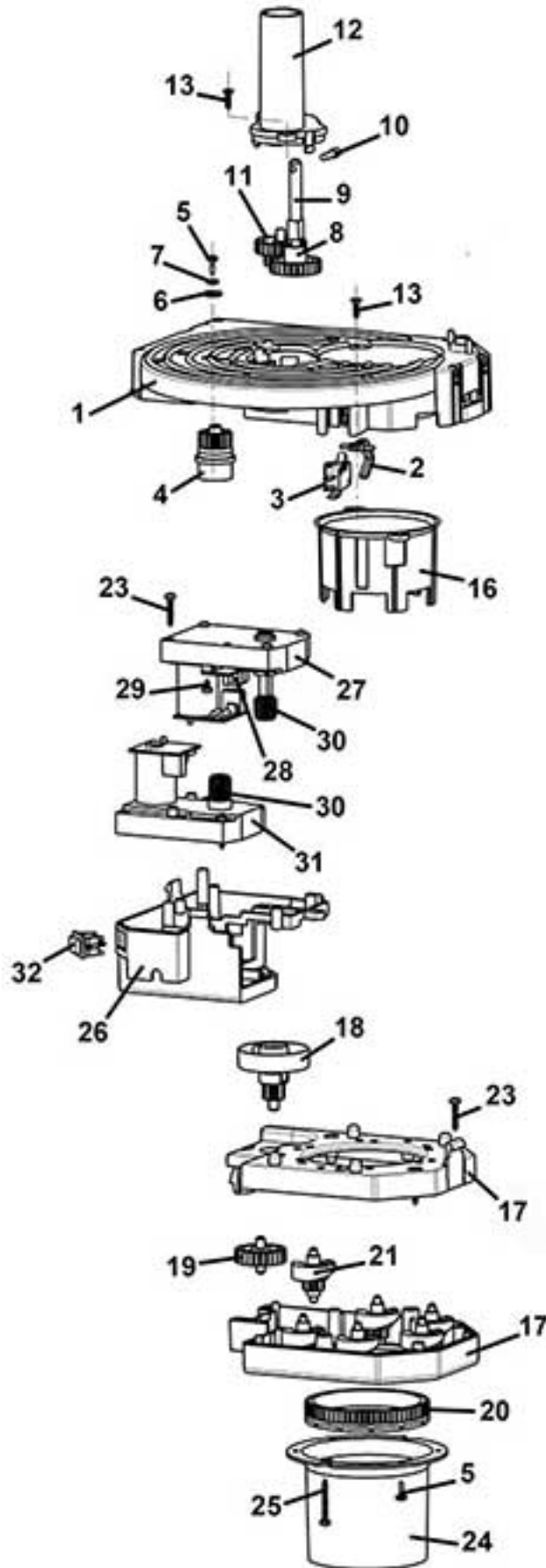
TURRET DB SUPPORT



TURRET DB SUPPORT		
Pos.	Code	Description
1	0190014005-07NA	DB SUPPORT (BLACK)
2	ELE0062020	PLASTIC BOARD SUP. RLCBSK-10-01BK BLACK
3	SCH0009600	DB BOARD
4	H00017067	MAGNET 20x3,2
5	VIT0002113	SCREW COUNT FLAT HEAD M2.9X9,5
6	0190014011NA	UPPER DB SUPPORT (BLACK)
8	VIT0002469	SCREW HEAD TAP M3.5X10
9	VIT0000014	SCREW HEAD TAP CAP M4X16
10	0190014039	D.80 CUP SLOW MOTION SUPPORT
11	0190014042	CUP SLOW MOTION
12	VIT0000002	SCREW HEAD TAP CAP M3X6
13	VIT0002009	SCREW ST HEAD CAP M3.5X6.5
14/a	Z0190014036NA	STIRRERS DISPENSER SUPPORT D.80 (BLACK)
14/b	Z0190014018NA	STIRRERS DISPENSER SUPPORT D.70/73 (BLACK)
15/a	Z0190014034NA	LOWER DB SUPPORT D.80 (BLACK)
15/b	Z0190014016NA	LOWER DB SUPPORT D.70/73 (BLACK)
16	Z0020043050NA	CUP STATION (BLACK)
17	Z0190014017NA	CUP CHUTE (BLACK)
18	Z0190014029NA	CUP STOP (BLACK)
19	Z0190014051NAR	§ FORK SUPPORT (BLACK)+INSERT
20	VIT0009330	BEARING D.8
21	VIT0009327	BEARING D.22
22	Z0190014026NAR	§ FORK SHAFT (BLACK)+INSERT
23	SCH0006940	CAMS SENSOR
24	Z0190014052	FORK PULLEY
25	Z0190014023	FORK SHAFT SPACER
26	Z0190014054NA	OPTIC READER DISC (BLACK)
27	Z0190014053	FORK SHAFT PLATE
28	VIT0002028	SCREW ST HEAD CAP M3.9X13
29	VIT0000013	SCREW HEAD TAP CAP M4X12
30	VIT0005544	SCREW ALLEN M4x50
31	Z0190014025	TOOTHED BELT
32	Z0190014055	FORK MOTOR REINFORCEMENT
33	VIT0005511	SCREW HEX HEAD REC TAP M4X10
34	VIT0003107	SPRING WASHER 4,3
35/a	Z0190014032NA	FORK D.80 (BLACK)
35/b	Z0190014030NA	FORK D.70 (BLACK)
35/c	Z0190014031NA	FORK D.73 (BLACK)
36	VIT0000030	SCREW HEAD TAP CAP M4X7
37	Z0020040235	FLAP PLUG
38/a	Z0190014033NA	DB UPPER COVER D.80 (BLACK)
38/b	Z0190014014NA	DB UPPER COVER D.70/73 (BLACK)
39	0190014013NA	STIRRERS CHUTE REINFORCEMENT (BLACK)
40	Z0190014040NA	BOARD COVER (BLACK)
41	VIT0002401	SCREW ST HEAD CAP M3.5X9.5
42/a	Z0190014048NA	DB SUPPORT COVER D.80 (BLACK)
42/b	Z0190014046NA	DB SUPPORT COVER D.70 (BLACK)

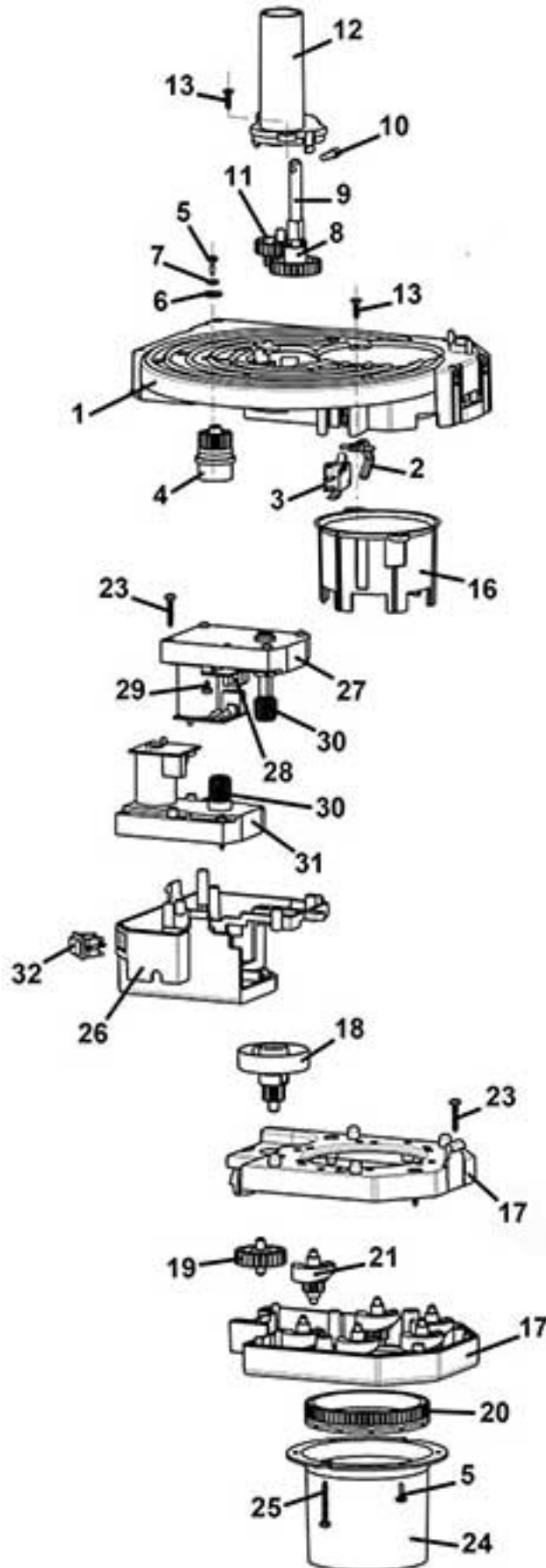
TURRET DB SUPPORT		
43	VIT0000012	SCREW HEAD TAP CAP M4X10
44	Z0090002034R1	§ MOTOR 18RPM 24VDC+PULLEY
100	Z0190014050R	§ FORK MOVEMENT From pos. 19 to pos. 44+8 and 44 Assieme

cups loader



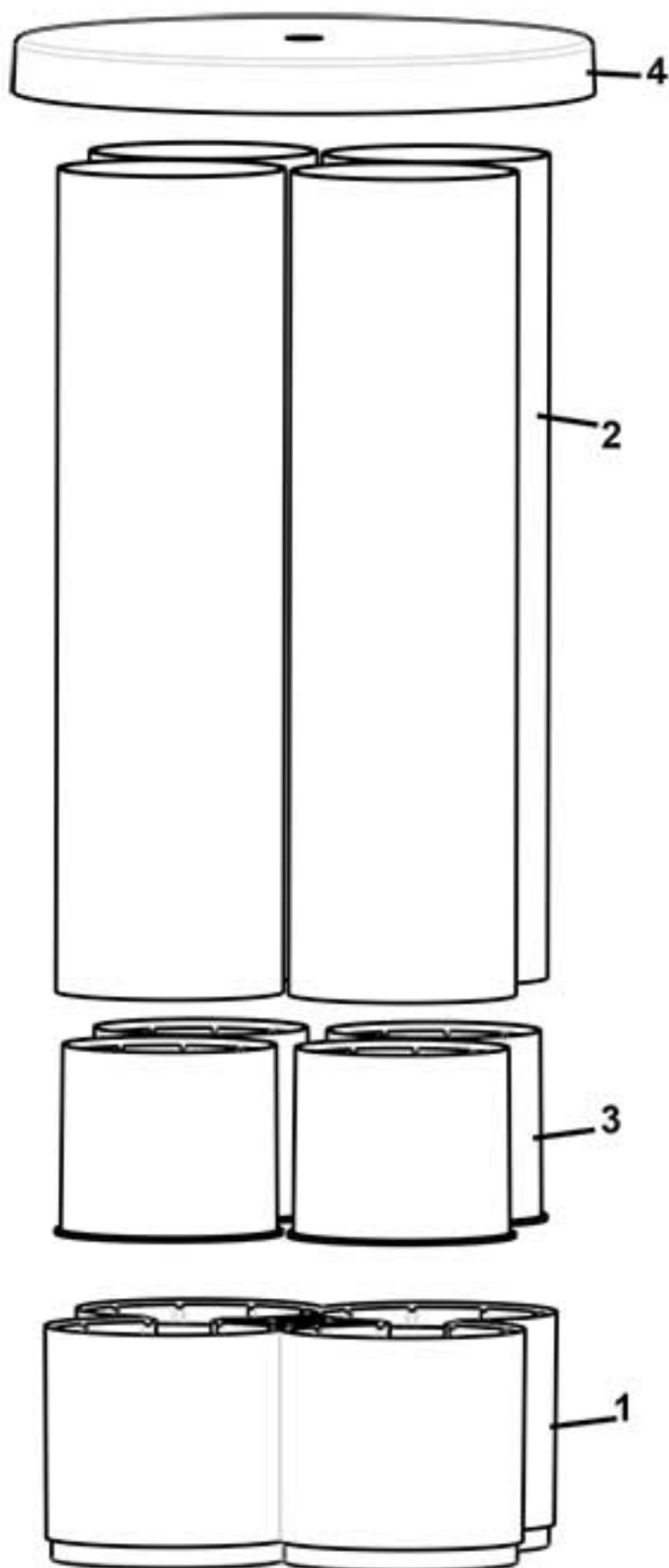
cups loader		
Pos.	Code	Description
1	Z0190006534CY-03	TURRET SUPPORT RAL9018
2/a	Z0190006543-01	MICROSWITCH LEVER WHITE
2/b	Z0190006556KA	MICROSWITCH LEVER RAL3020
3	ELE0001530	MICROSWITCH 3A 125-250VA
4	Z0190006546	CUP DISPENSER MOTOR CONNECTOR
5	VIT0002469	SCREW HEAD TAP M3.5X10
7	VIT0003103	SPRING WASHER 4,3
8	Z0190006503	Z26 WHEEL TURRET (WHITE)
9	Z0190006564	TURRET SHAFT
10	VIT0005203	DOWEL PIN 4X18
11	Z0190006544	Z16 PINION WHITE
12	Z0190006537CY	TURRET CUP CONNEC. 4C. RAL9018
13	VIT0002101	SCREW COUNT FLAT HEAD M3.5X13
16/a	Z0190006538CF	CUPS REDUCER D.70 RAL7016
16/b	Z0190006539CY	CUPS REDUCER D.73 RAL9018
17	Z0190006521CYR	LOWER/UPPER CUP DROP MECH. RAL9018
18	Z0190006511NA	CUPS TURRET SPINDLE BLACK
19	Z0190006528	Z26 WHEEL WHITE
20/a	Z0190006523	TOOTHED RING NUT D.70/73
20/b	Z0190006507	TOOTHED RING NUT D.78/80 WHITE
21/a	Z0190006506IC	SPLIT UP D.70/78-ORANGE PL
21/b	Z0190006502	CUP SPLITTER D.73/80 PP WHITE
21/c	Z0190006551GJ	SPLIT UP D.70/78-YELLOW PP
21/d	Z0190006509PL	SPLIT UP D.80 PP (RAL5002)
23	VIT0002456	SCREW HEAD TAP M3.5X25
24	Z0190006514CY	CUPS CHUTE 70/73 RAL9018
25	VIT0002468	SCREW HEAD TAP M3.5X30
26	Z0190006522CY	MOTOR SUPPORT RAL9018
27	Z0090002114R2	§ GEARBOX MOTOR 11RPM 24V DC
28	SCH0007000	SPLIT UP SENSOR
29	VIT0002002	SCREW ST HEAD CAP M3.5X6.5
30	Z0190006518	TOOTHED SHAFT Z18 WHITE
31	Z0090002123R	§ GEARBOX MOTOR 5,5RPM 24V DC
32	ELE0002258R	§ PUSH BUTTON RED
100/a	Z0190006534CL3R	§ TURRET SUPPORT-4COLUMNS From pos.1 to pos.13 (included pos.2/a) Assieme
100/b	0190006534CL4R	§ TURRET SUPPORT-4COLUMNS D.80 From pos.1 to pos.13 (included pos.2/b) Assieme
101/a	Z0190006520CLR	§ CUP DROP MECH. D.70 PL From pos. 17 to pos.23 (included pos.20/a+21/a) Assieme
101/b	0190006520CL0R	§ CUP DROP MECH. D.70 PP From pos. 17 to pos.23 (included pos.20/a+21/c) Assieme
101/c	0190006520CL2R	§ CUP DROP MECH. D.73 PP From pos. 17 to pos.23 (included pos.20/a+21/b) Assieme
101/d	Z0190006521CL5R	§ CUP DROP MECH. D.80 PP From pos. 17 to pos.23 (included pos.20/b+21/b) Assieme
102	Z0190006522CLR	§ CUPS DISPENSER MOTOR SUPPORT From pos.26 to pos. 32 Assieme

cups loader



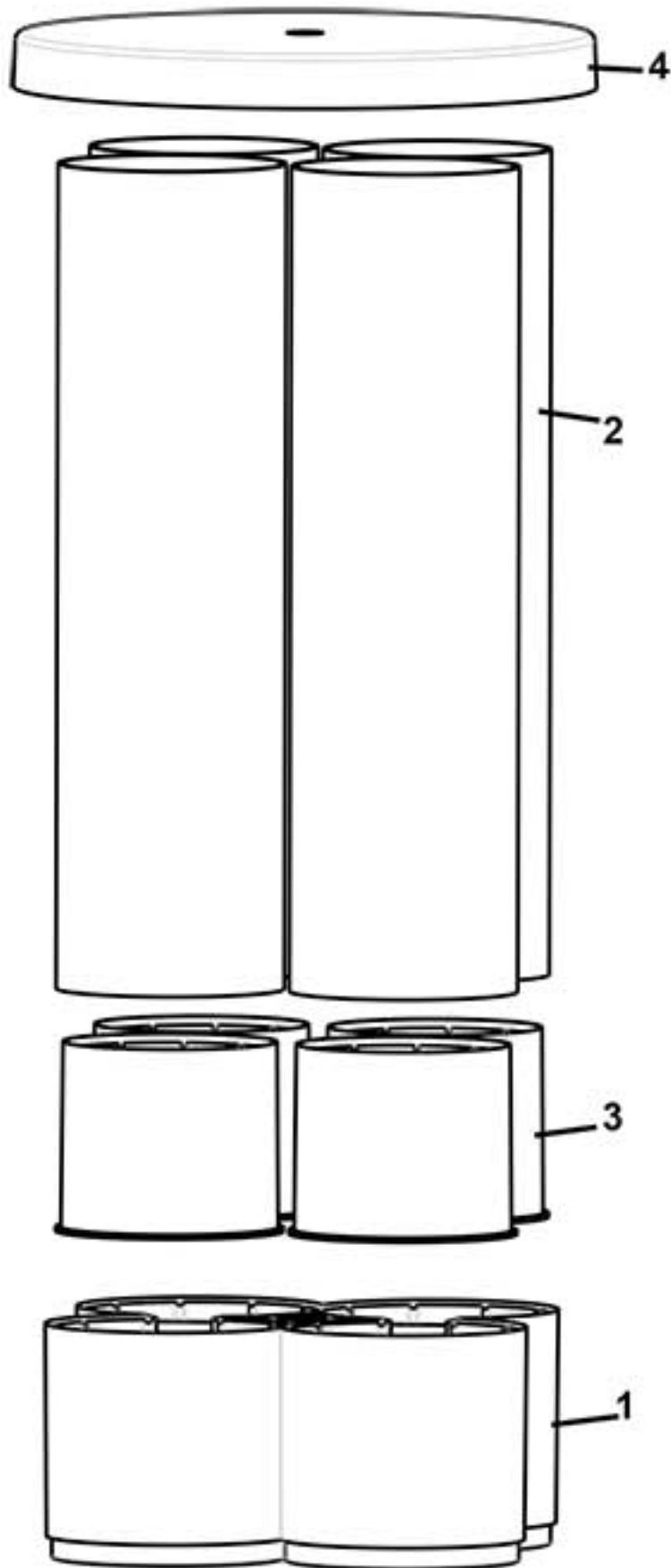
cups loader		
Pos.	Code	Description
1	Z0190006534CY-03	TURRET SUPPORT RAL9018
2/a	Z0190006543-01	MICROSWITCH LEVER WHITE
2/b	Z0190006556KA	MICROSWITCH LEVER RAL3020
3	ELE0001530	MICROSWITCH 3A 125-250VA
4	Z0190006546	CUP DISPENSER MOTOR CONNECTOR
5	VIT0002469	SCREW HEAD TAP M3.5X10
7	VIT0003103	SPRING WASHER 4,3
8	Z0190006503	Z26 WHEEL TURRET (WHITE)
9	Z0190006564	TURRET SHAFT
10	VIT0005203	DOWEL PIN 4X18
11	Z0190006544	Z16 PINION WHITE
12	Z0190006537CY	TURRET CUP CONNEC. 4C. RAL9018
13	VIT0002101	SCREW COUNT FLAT HEAD M3.5X13
16/a	Z0190006538CF	CUPS REDUCER D.70 RAL7016
16/b	Z0190006539CY	CUPS REDUCER D.73 RAL9018
17	Z0190006521CYR	LOWER/UPPER CUP DROP MECH. RAL9018
18	Z0190006511NA	CUPS TURRET SPINDLE BLACK
19	Z0190006528	Z26 WHEEL WHITE
20/a	Z0190006523	TOOTHED RING NUT D.70/73
20/b	Z0190006507	TOOTHED RING NUT D.78/80 WHITE
21/a	Z0190006506IC	SPLIT UP D.70/78-ORANGE PL
21/b	Z0190006502	CUP SPLITTER D.73/80 PP WHITE
21/c	Z0190006551GJ	SPLIT UP D.70/78-YELLOW PP
21/d	Z0190006509PL	SPLIT UP D.80 PP (RAL5002)
23	VIT0002456	SCREW HEAD TAP M3.5X25
24	Z0190006514CY	CUPS CHUTE 70/73 RAL9018
25	VIT0002468	SCREW HEAD TAP M3.5X30
26	Z0190006522CY	MOTOR SUPPORT RAL9018
27	Z0090002114R2	§ GEARBOX MOTOR 11RPM 24V DC
28	SCH0007000	SPLIT UP SENSOR
29	VIT0002002	SCREW ST HEAD CAP M3.5X6.5
30	Z0190006518	TOOTHED SHAFT Z18 WHITE
31	Z0090002123R	§ GEARBOX MOTOR 5,5RPM 24V DC
32	ELE0002258R	§ PUSH BUTTON RED
100/a	Z0190006534CL3R	§ TURRET SUPPORT-4COLUMNS From pos.1 to pos.13 (included pos.2/a) Assieme
100/b	0190006534CL4R	§ TURRET SUPPORT-4COLUMNS D.80 From pos.1 to pos.13 (included pos.2/b) Assieme
101/a	Z0190006520CLR	§ CUP DROP MECH. D.70 PL From pos. 17 to pos.23 (included pos.20/a+21/a) Assieme
101/b	0190006520CL0R	§ CUP DROP MECH. D.70 PP From pos. 17 to pos.23 (included pos.20/a+21/c) Assieme
101/c	0190006520CL2R	§ CUP DROP MECH. D.73 PP From pos. 17 to pos.23 (included pos.20/a+21/b) Assieme
101/d	Z0190006521CL5R	§ CUP DROP MECH. D.80 PP From pos. 17 to pos.23 (included pos.20/b+21/b) Assieme
102	Z0190006522CLR	§ CUPS DISPENSER MOTOR SUPPORT From pos.26 to pos. 32 Assieme

4 columns cups turret



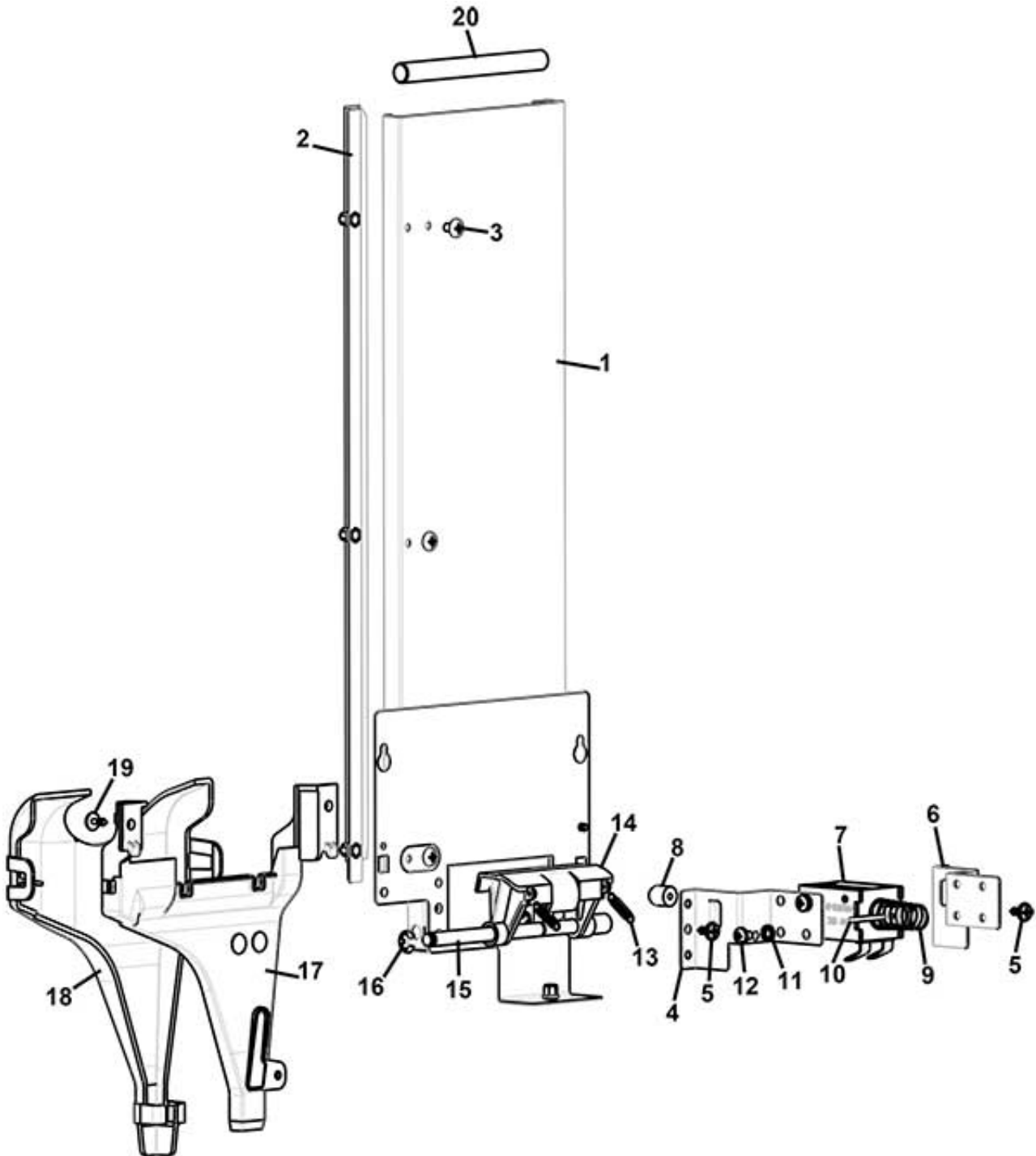
4 columns cups turret		
Pos.	Code	Description
1/a	Z0180013305CY	CUP TURRET SPINDLE 4C RAL9018
1/b	Z0180013307CY	CUP TURRET SPINDLE 4C RAL9018 (80mm)
2/a	Z0180013146	CUP HOLDER D.84/81MM L305MM
2/b	Z0180013351	CUP HOLDER D.87/84MM L288MM
3	Z0180013113	D.70 COLUMN REDUCTION (WHITE)
4/a	Z0180013308CY	CUPS TURRET LID 4C. RAL9018
100	Z0180013145R	§ 4C TURRET D.70/73
101	Z0180013350R	§ 4C TURRET D.80

4 columns cups turret



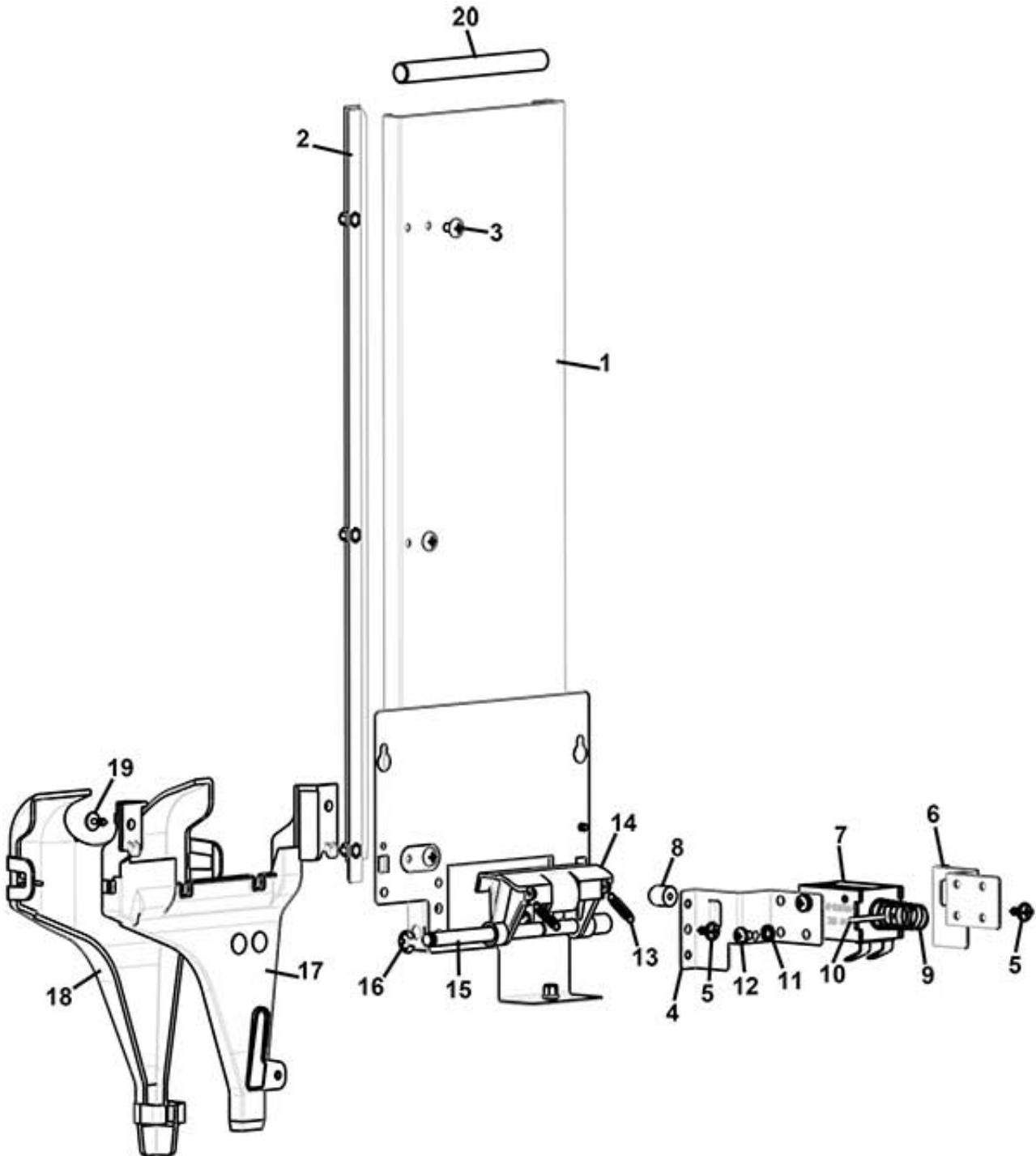
4 columns cups turret		
Pos.	Code	Description
1/a	Z0180013305CY	CUP TURRET SPINDLE 4C RAL9018
1/b	Z0180013307CY	CUP TURRET SPINDLE 4C RAL9018 (80mm)
2/a	Z0180013146	CUP HOLDER D.84/81MM L305MM
2/b	Z0180013351	CUP HOLDER D.87/84MM L288MM
3	Z0180013113	D.70 COLUMN REDUCTION (WHITE)
4/a	Z0180013308CY	CUPS TURRET LID 4C. RAL9018
100	Z0180013145R	§ 4C TURRET D.70/73
101	Z0180013350R	§ 4C TURRET D.80

stirrer dispenser



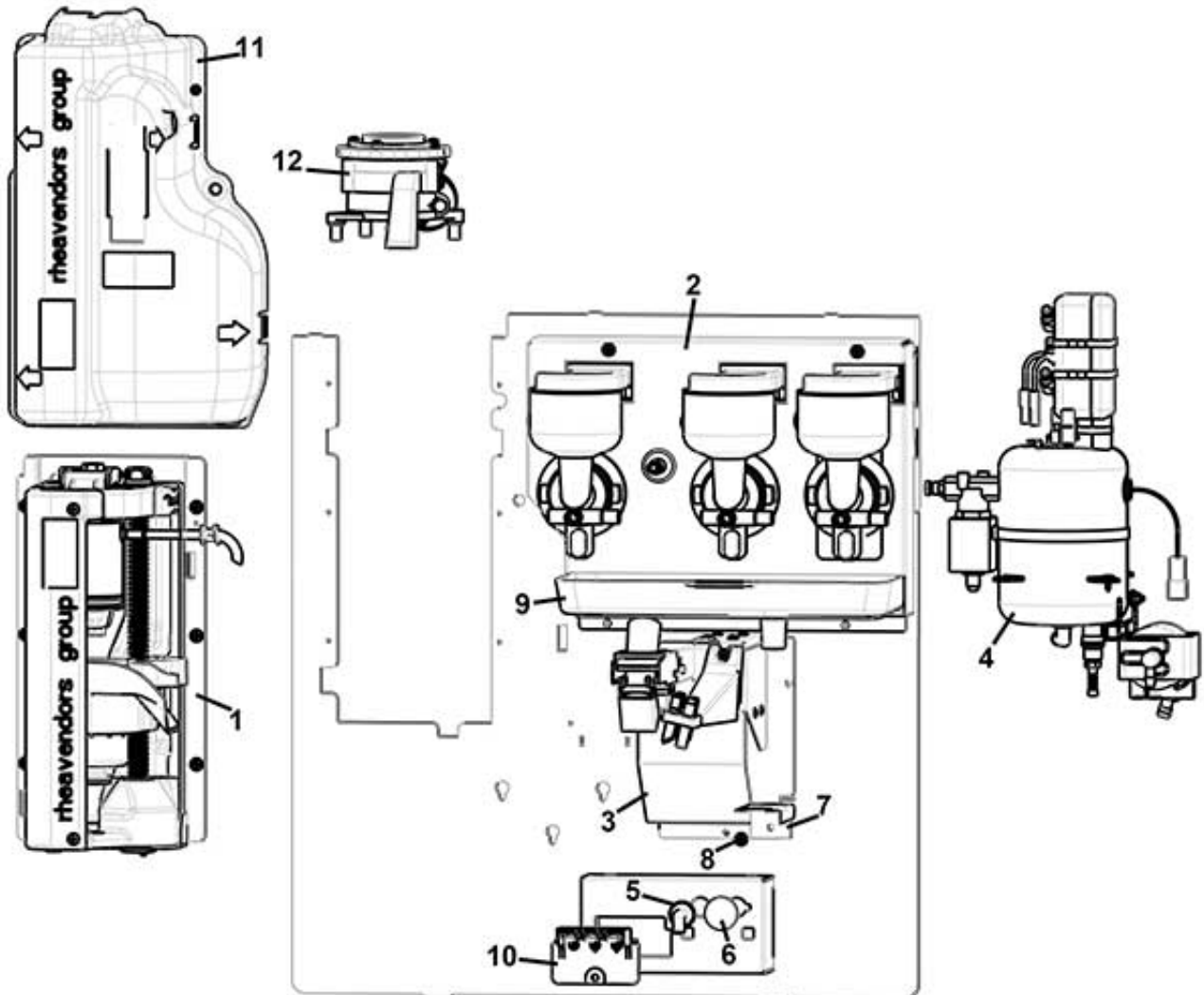
stirrer dispenser		
Pos.	Code	Description
1	0450003555	STIRRER DISPENSER
2	0450003560	STIRRER DISPENSER GUIDE
3	VIT0000012	SCREW HEAD TAP CAP M4X10
4	0450003559	ELETTROMAGNET R.H. SUPPORT
5	VIT0002009	SCREW ST HEAD CAP M3.5X6.5
6	0450003558	ELETTROMAGNET L.H. SUPPORT
8	Z0190014038	ELETTTROMAGNET PIN
9	Z0380011419	SPRING
10	VIT0005212	DOWEL PIN 2.5X24
11	VIT0003103	SPRING WASHER 4,3
12	VIT0000021	SCREW HEAD TAP CAP M4X6
13	Z0450003010	SPRING
14	0450003565NA	STIRRER EJECTOR (BLACK)
15	0450003566	STIRRER EJECTOR SHAFT
16	VIT0006504	RING 5
17	Z0450003571TR	STIRRER CHUTE (TRANSPARENT)
18	Z0450003572TR	STIRRER CHUTE COVER (TRASPARENT)
19	VIT0002401	SCREW ST HEAD CAP M3.5X9.5
20/a	4001012030	STIRRER WEIGHT 89MM
20/b	Z0450003033	STIRRER WEIGHT 104MM
100	Z0450003550CL	§ STIRRER DISPENSER 89-104-115mm Assieme

stirrer dispenser



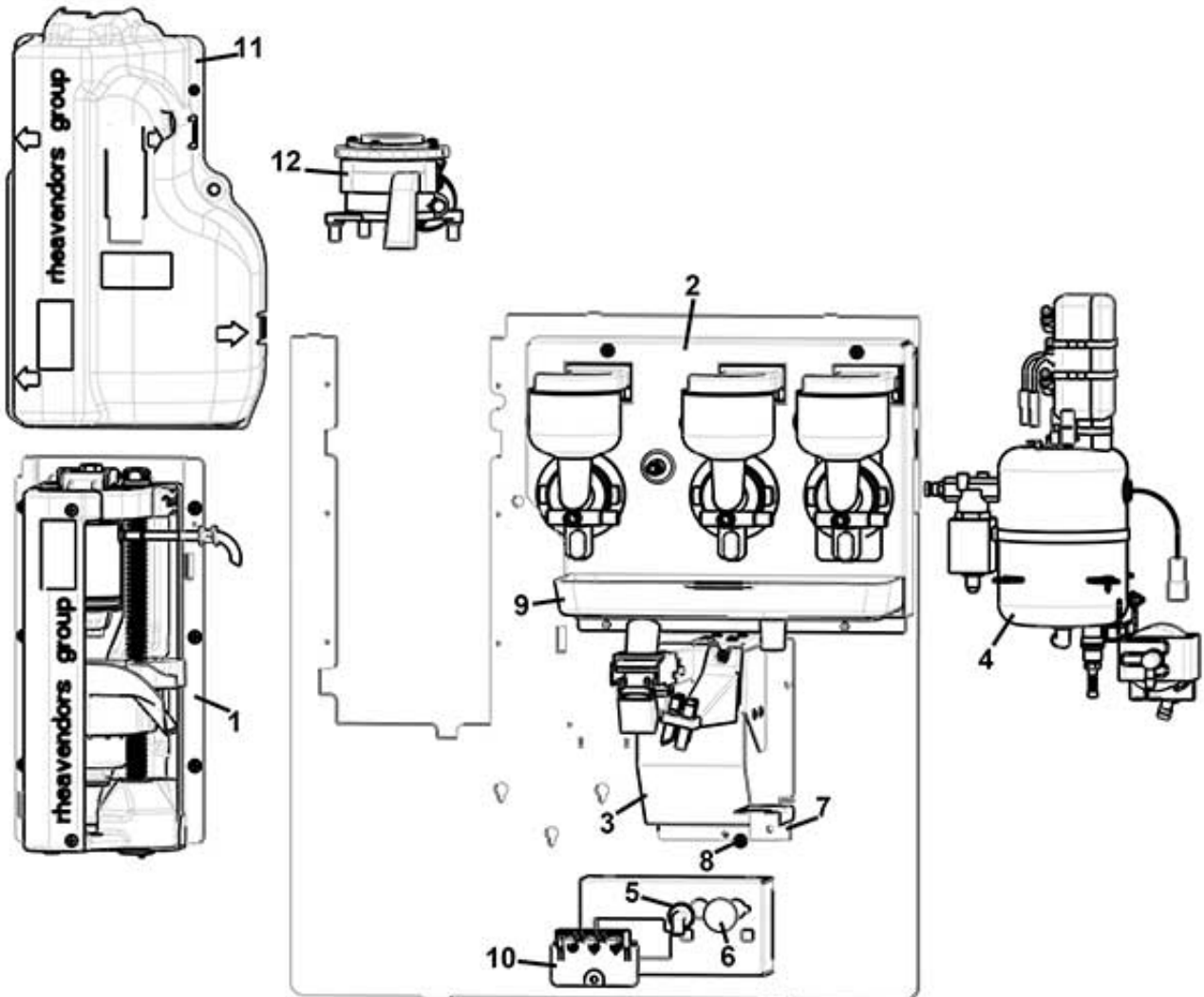
stirrer dispenser		
Pos.	Code	Description
1	0450003555	STIRRER DISPENSER
2	0450003560	STIRRER DISPENSER GUIDE
3	VIT0000012	SCREW HEAD TAP CAP M4X10
4	0450003559	ELETTROMAGNET R.H. SUPPORT
5	VIT0002009	SCREW ST HEAD CAP M3.5X6.5
6	0450003558	ELETTROMAGNET L.H. SUPPORT
8	Z0190014038	ELETTTROMAGNET PIN
9	Z0380011419	SPRING
10	VIT0005212	DOWEL PIN 2.5X24
11	VIT0003103	SPRING WASHER 4,3
12	VIT0000021	SCREW HEAD TAP CAP M4X6
13	Z0450003010	SPRING
14	0450003565NA	STIRRER EJECTOR (BLACK)
15	0450003566	STIRRER EJECTOR SHAFT
16	VIT0006504	RING 5
17	Z0450003571TR	STIRRER CHUTE (TRANSPARENT)
18	Z0450003572TR	STIRRER CHUTE COVER (TRASPARENT)
19	VIT0002401	SCREW ST HEAD CAP M3.5X9.5
20/a	4001012030	STIRRER WEIGHT 89MM
20/b	Z0450003033	STIRRER WEIGHT 104MM
100	Z0450003550CL	§ STIRRER DISPENSER 89-104-115mm Assieme

mixer plan



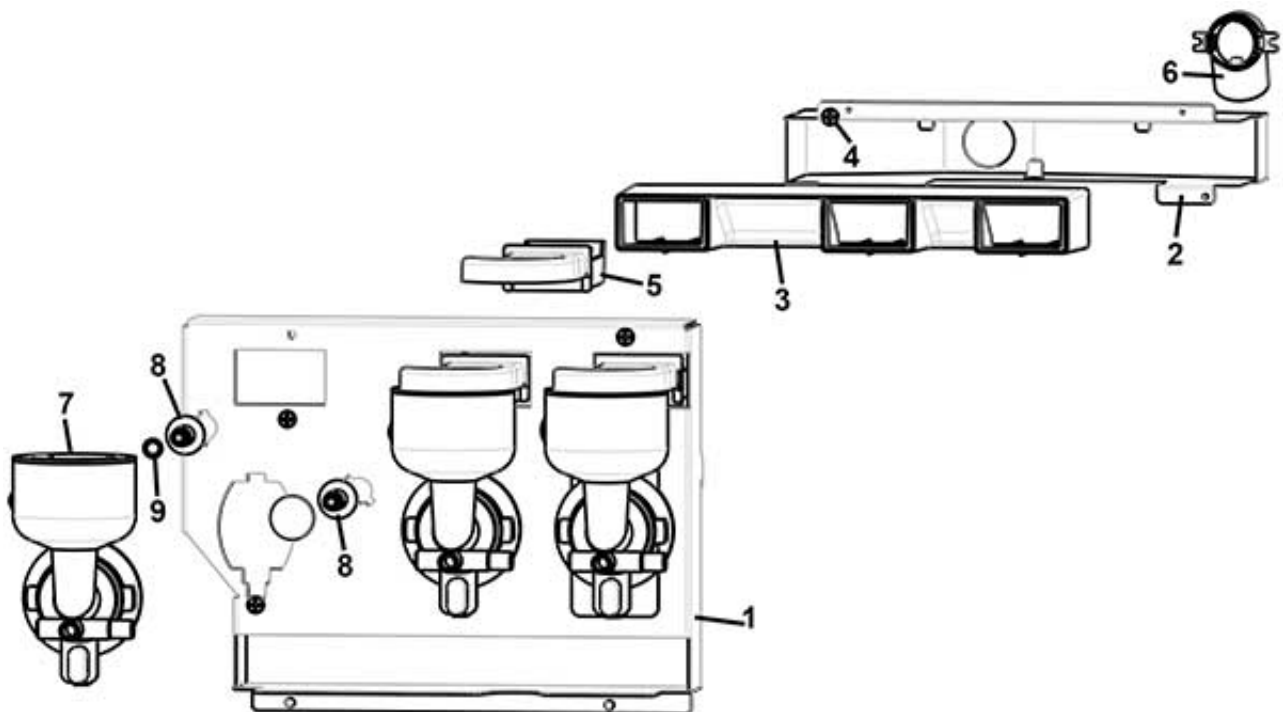
mixer plan		
Pos.	Code	Description
1		See table PRO BREWER SUPPORT+MOTOR
2		See table MIXERS SUPPORT
3		See table pipes movement
4		See table ESPRESSO boiler support
5	Z0080100084	90° CONNECTOR
6	Z0080100035NA	CONNECTOR PLUG BLACK
7	Z0260012037NA	DRIP TRAY TUBE PLATE (BLACK)
8	VIT0002401	SCREW ST HEAD CAP M3.5X9.5
9	Z0260012029NA	TRAY (BLACK)
10	Z0070035010CL	§ DRIP TRAY SENSOR SUPPORT
11	Z0250014074CL	§ VARIFLEX BREWER COVER-FS
12		See table GRINDER

mixer plan



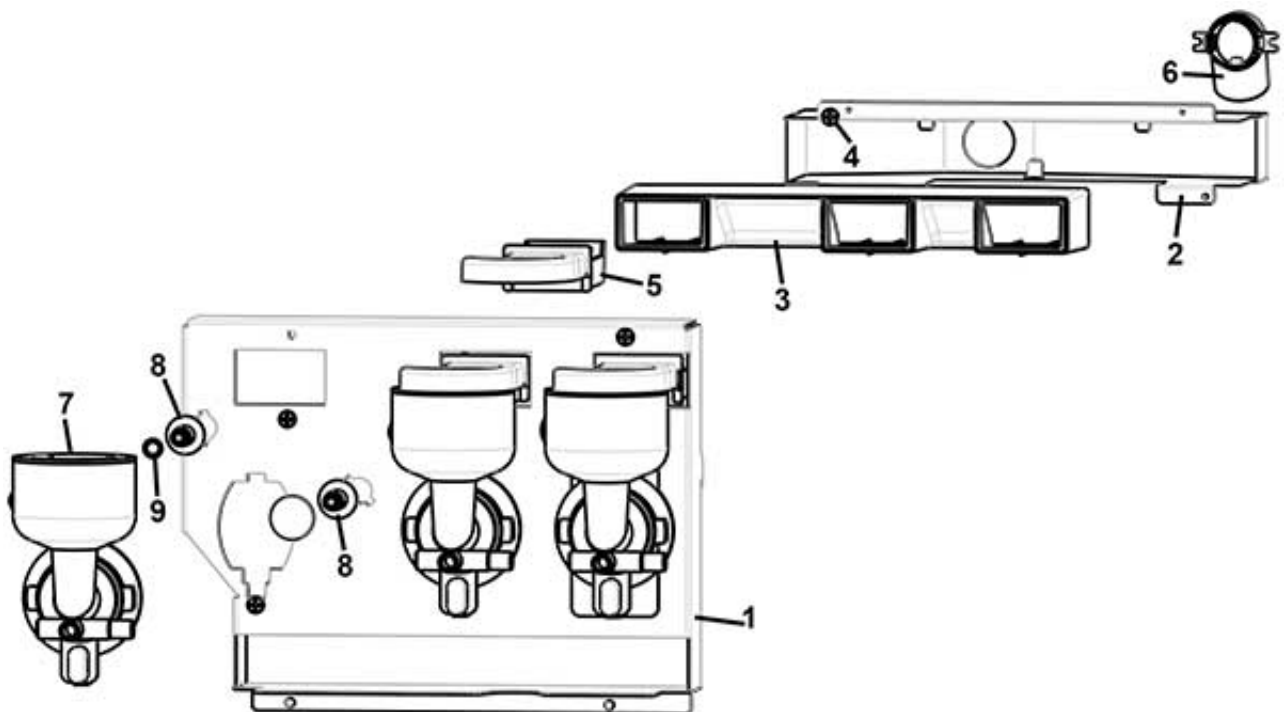
mixer plan		
Pos.	Code	Description
1		See table PRO BREWER SUPPORT+MOTOR
2		See table MIXERS SUPPORT
3		See table pipes movement
4		See table ESPRESSO boiler support
5	Z0080100084	90° CONNECTOR
6	Z0080100035NA	CONNECTOR PLUG BLACK
7	Z0260012037NA	DRIP TRAY TUBE PLATE (BLACK)
8	VIT0002401	SCREW ST HEAD CAP M3.5X9.5
9	Z0260012029NA	TRAY (BLACK)
10	Z0070035010CL	§ DRIP TRAY SENSOR SUPPORT
11	Z0250014074CL	§ VARIFLEX BREWER COVER-FS
12		See table GRINDER

MIXERS SUPPORT



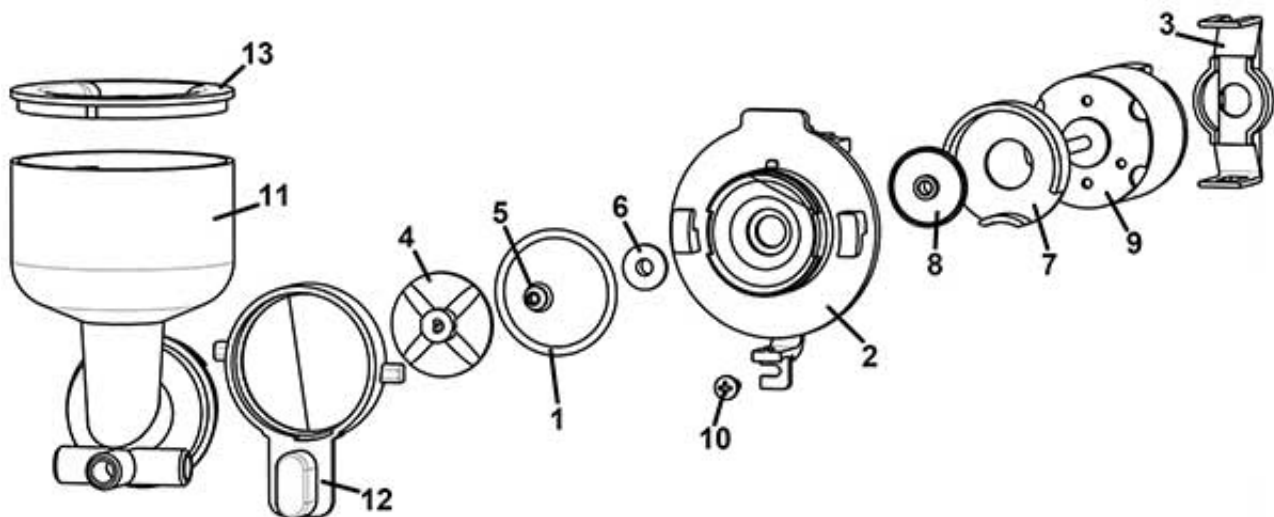
MIXERS SUPPORT		
Pos.	Code	Description
1	0260012026NA	
2	0260012043NA	
3	Z0010026110NA	TRAP DRAWER
4	VIT0002401	SCREW ST HEAD CAP M3.5X9.5
5	Z0010027022	TRAP DRAWER REMOVABLE
6	Z0010027043NA	EXTRACTOR TUBE BLACK
7		See table mixer
8	Z0080100013	MIXER CONNECTOR-LONG-BLACK
9	GUA0000085	OR 106 SILICON

MIXERS SUPPORT



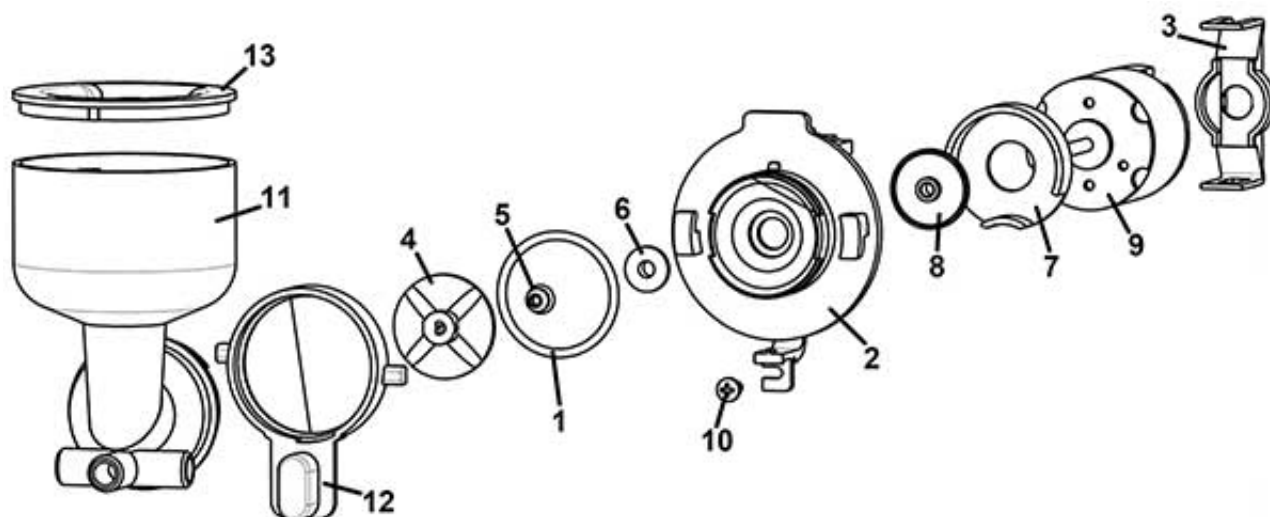
MIXERS SUPPORT		
Pos.	Code	Description
1	0260012026NA	
2	0260012043NA	
3	Z0010026110NA	TRAP DRAWER
4	VIT0002401	SCREW ST HEAD CAP M3.5X9.5
5	Z0010027022	TRAP DRAWER REMOVABLE
6	Z0010027043NA	EXTRACTOR TUBE BLACK
7		See table mixer
8	Z0080100013	MIXER CONNECTOR-LONG-BLACK
9	GUA0000085	OR 106 SILICON

mixer



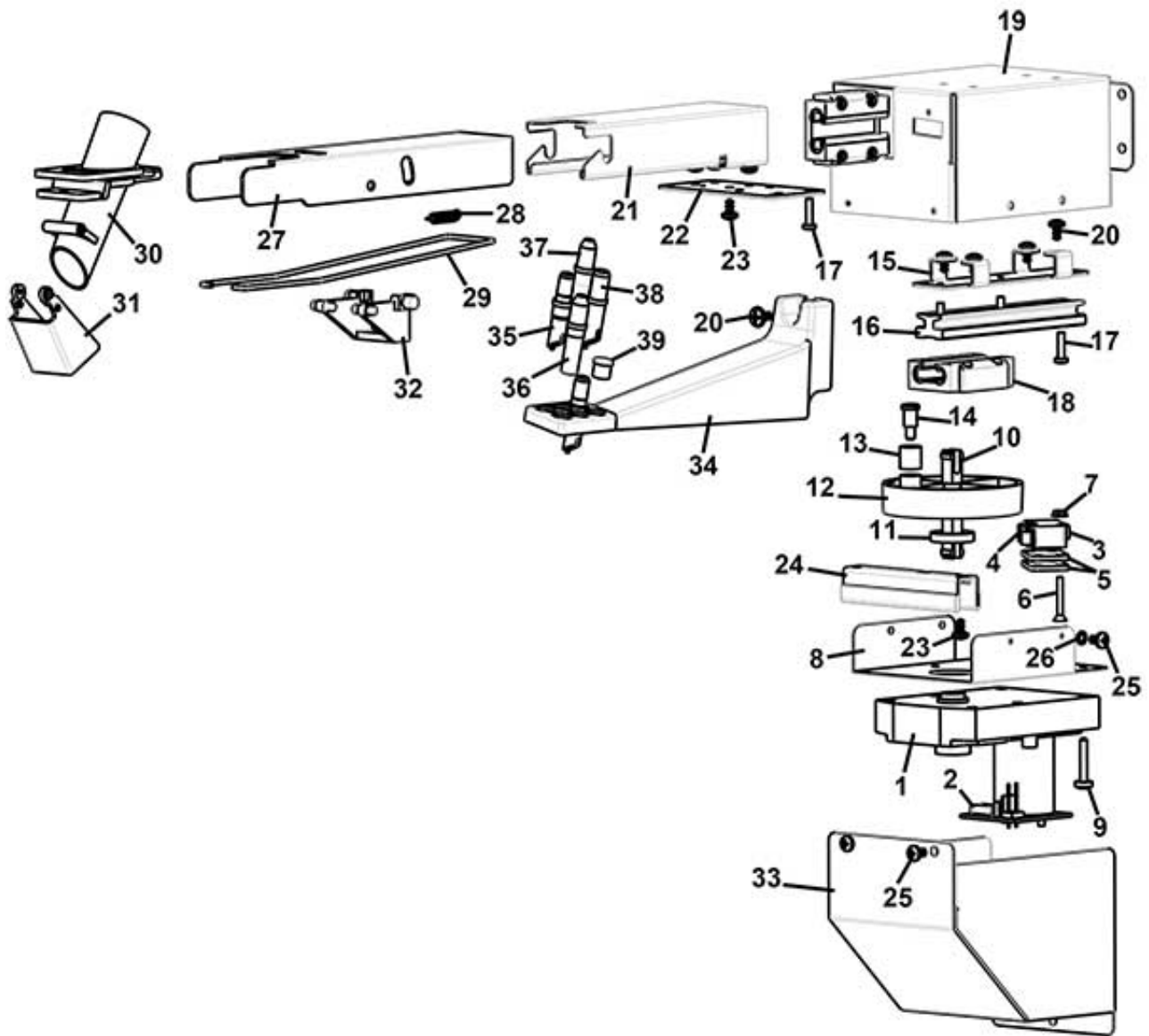
mixer		
Pos.	Code	Description
1	GUA0000084	OR 3131
2	Z0080100005	MOTOR MIXER BASE
3	Z0080100009IC	MIXER MOTOR SUPPORT RAL2011
4	Z0080100251NA	MIXER FAN INCREASED (BLACK)
5	Z0080100101	MIXER SHAFT GASKET
6	Z0080100015	MIXER BUSH
7	Z0080100023IC	MIXER COVER RAL2011
8	Z0080100024	MIXER FAN
9	Z0090003023	MIXER MOTOR 24V DC SHAFT D.4
10	VIT0002401	SCREW ST HEAD CAP M3.5X9.5
11/1a	Z0080200101L	MIXING BOWL L.W/H20 BREAKER
11/1b	Z0080200102R	MIXING BOWL R.W/H20 BREAKER
11/1c	Z0080200103C	MIXING BOWL F.W/H20 BREAKER
11/2a	Z0080200110L	MIXING BOWL L.W/H20 BREAKER
11/2b	Z0080200111R	MIXING BOWL R.W/H20 BREAKER
11/2c	Z0080200112C	MIXING BOWL F.W/H20 BREAKER
12	Z0080100006IC	LOCK RING RAL2011
13/a	Z0080100008	UPPER RING
13/b	Z0080100042	MIXER RING W/INLET PIPE Ø4,25mm
100	Z0080100001R1	§ MIXER BOWL BASE+MOTOR (from pos.1 to pos.9) Assieme

mixer



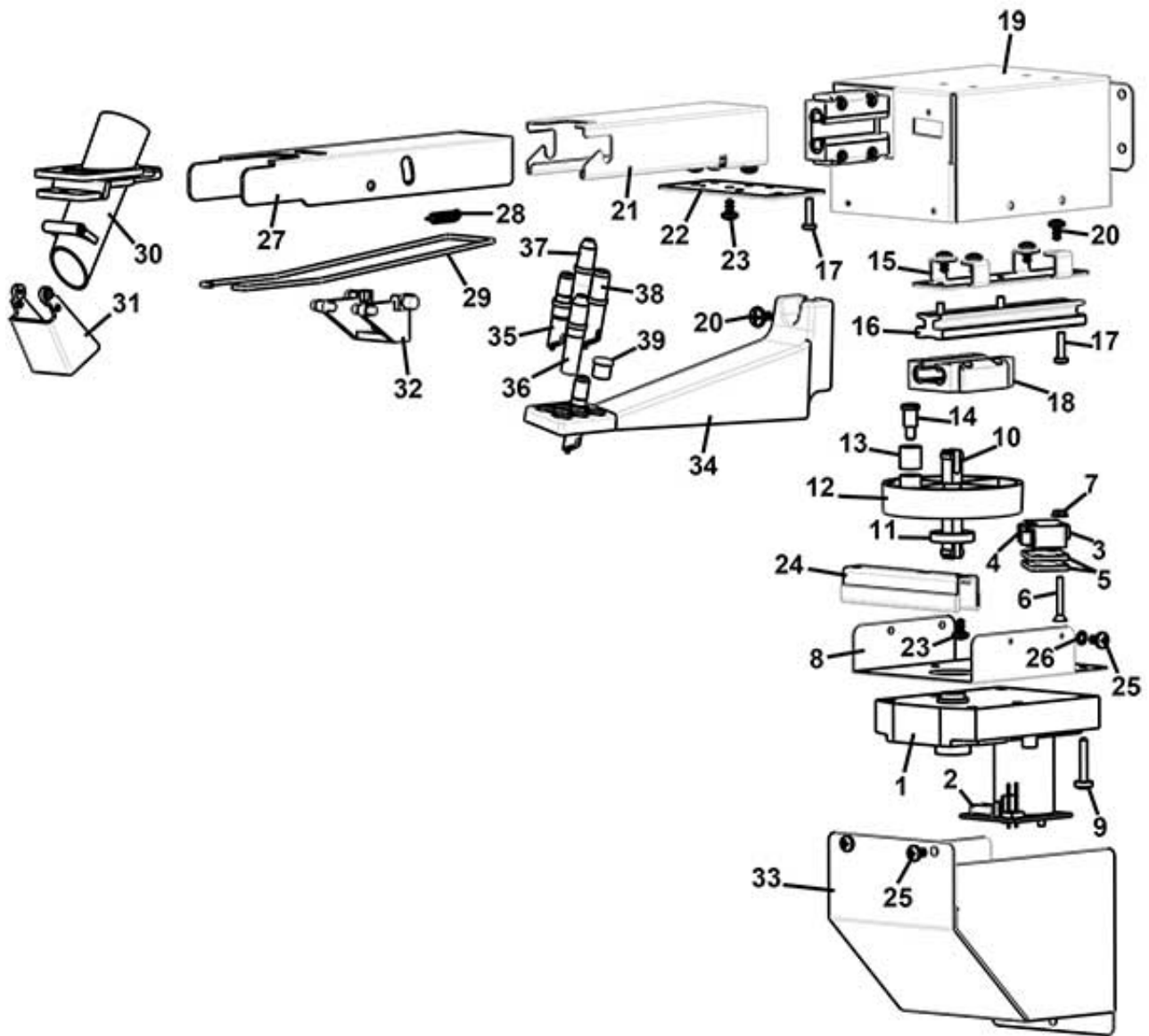
mixer		
Pos.	Code	Description
1	GUA0000084	OR 3131
2	Z0080100005	MOTOR MIXER BASE
3	Z0080100009IC	MIXER MOTOR SUPPORT RAL2011
4	Z0080100251NA	MIXER FAN INCREASED (BLACK)
5	Z0080100101	MIXER SHAFT GASKET
6	Z0080100015	MIXER BUSH
7	Z0080100023IC	MIXER COVER RAL2011
8	Z0080100024	MIXER FAN
9	Z0090003023	MIXER MOTOR 24V DC SHAFT D.4
10	VIT0002401	SCREW ST HEAD CAP M3.5X9.5
11/1a	Z0080200101L	MIXING BOWL L.W/H20 BREAKER
11/1b	Z0080200102R	MIXING BOWL R.W/H20 BREAKER
11/1c	Z0080200103C	MIXING BOWL F.W/H20 BREAKER
11/2a	Z0080200110L	MIXING BOWL L.W/H20 BREAKER
11/2b	Z0080200111R	MIXING BOWL R.W/H20 BREAKER
11/2c	Z0080200112C	MIXING BOWL F.W/H20 BREAKER
12	Z0080100006IC	LOCK RING RAL2011
13/a	Z0080100008	UPPER RING
13/b	Z0080100042	MIXER RING W/INLET PIPE Ø4,25mm
100	Z0080100001R1	§ MIXER BOWL BASE+MOTOR (from pos.1 to pos.9) Assieme

pipes movement



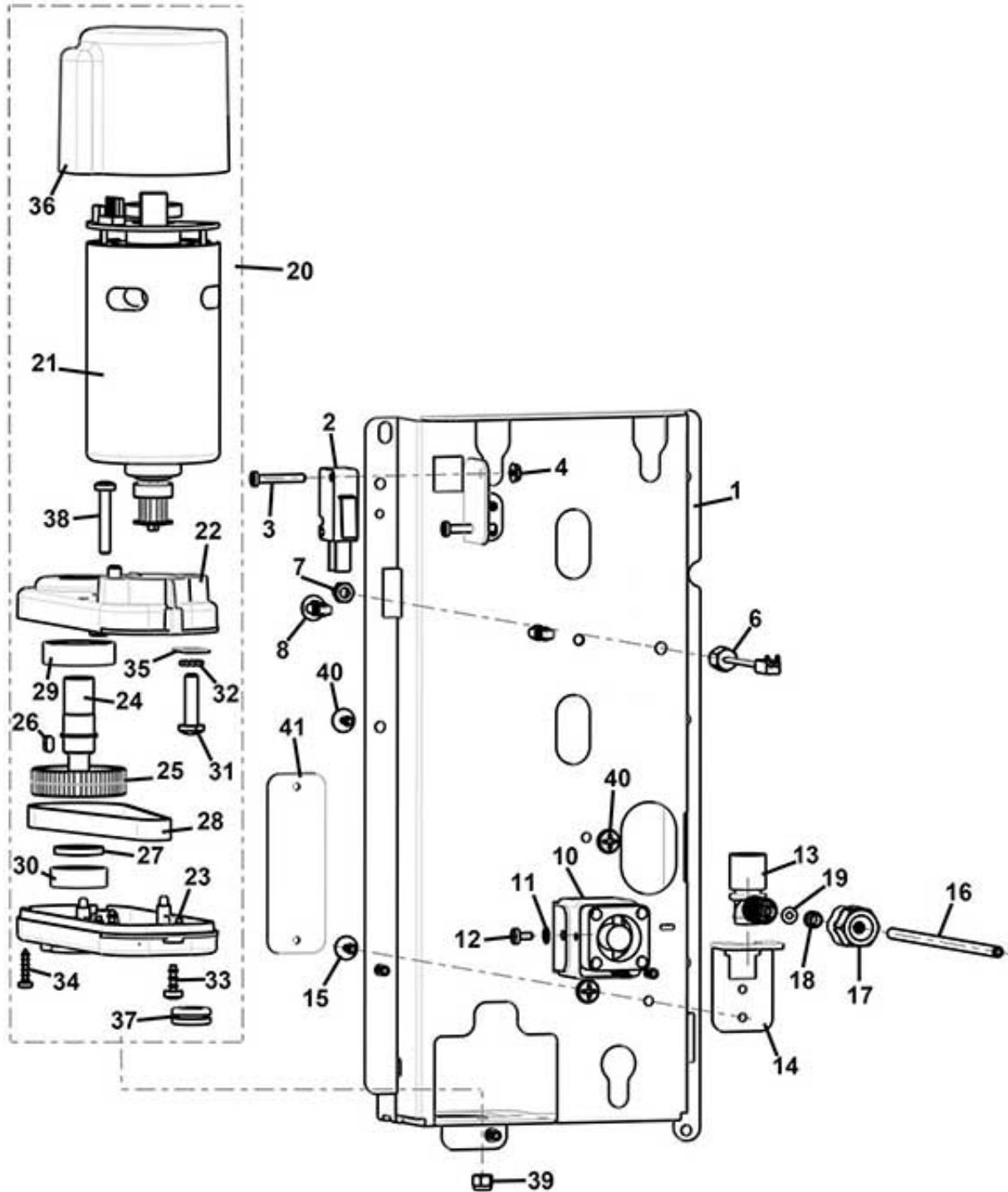
pipes movement		
Pos.	Code	Description
1	Z0090002114R1	§ GEARBOX MOTOR 11RPM 24V DC
2	SCH0003740	MOTOR FILTER
3	ELE0001522	MICROSWITCH
4	ELE0001906	MICROSWITCH LEVER
5	4600010014	SPACER
6	VIT0000105	M 3x20 TSP SCREW
7	VIT0004701	NUT M3
8	Z0380011761NA	GEARBOX MOTOR SUPPORT (BLACK)
9	VIT0000035	SCREW HEAD TAP CAP M4X20
10	Z0380010421	GEARBOX MOTOR SHAFT
11	Z0380010831	BUSH 20X4
12	Z0380011411	DISK
13	Z0200001011	BEARING
14	Z0200001012	PIN BEARING
15	Z0380011752	GUIDE SUPPORT
16	Z0380010933	PIPES MOVEMENT GUIDE RAIL
17	VIT0000005	SCREW HEAD TAP CAP M3X12
18	Z0380010798	NOZZLE MOVEMENT GUIDE
19	Z0380011751NA	PIPE MOVEMENT HOUSING (BLACK)
20	VIT0002401NA	SCREW ST HEAD CAP M3.5X9.5 (BLACK)
21	Z0380011753	PIPE MOVEMENT GUIDE
22	Z0380011754	SLIDE SUPPORT
23	VIT0002009	SCREW ST HEAD CAP M3.5X6.5
24	Z0380011755	SLIDE
25	VIT0002009NA	SCREW ST HEAD CAP M3.5X6.5 (BLACK)
26	VIT0003115	SPRING WASHER 3,7
27	Z0380011327	SUPPORT
28	Z0380010431	SPRING
29	Z0380011328	BRACKET
30	Z0380011229NA	SUGAR CHUTE (BLACK)
31	Z0380010424NA	SUGAR SPLITTER
32	Z0380010599	NOZZLE MOVEMENT BUTTON
33	Z0380011756NA	GEARBOX MOTOR COVER (BLACK)
34	Z0380011551NA	6 NOZZLES HOLDER (BLACK)
35	Z0380011665EB	COFFEE NOZZLE (RAL8019)
36	Z0380011666CK	MILK NOZZLE (RAL7037)
37	Z0380011667MD	TEA NOZZLE (RAL6032)
38	Z0380010657NA	ESPRESSO NOZZLE D.5,7 (BLACK)
39	Z0380010656NA	PLUG BLACK

pipes movement



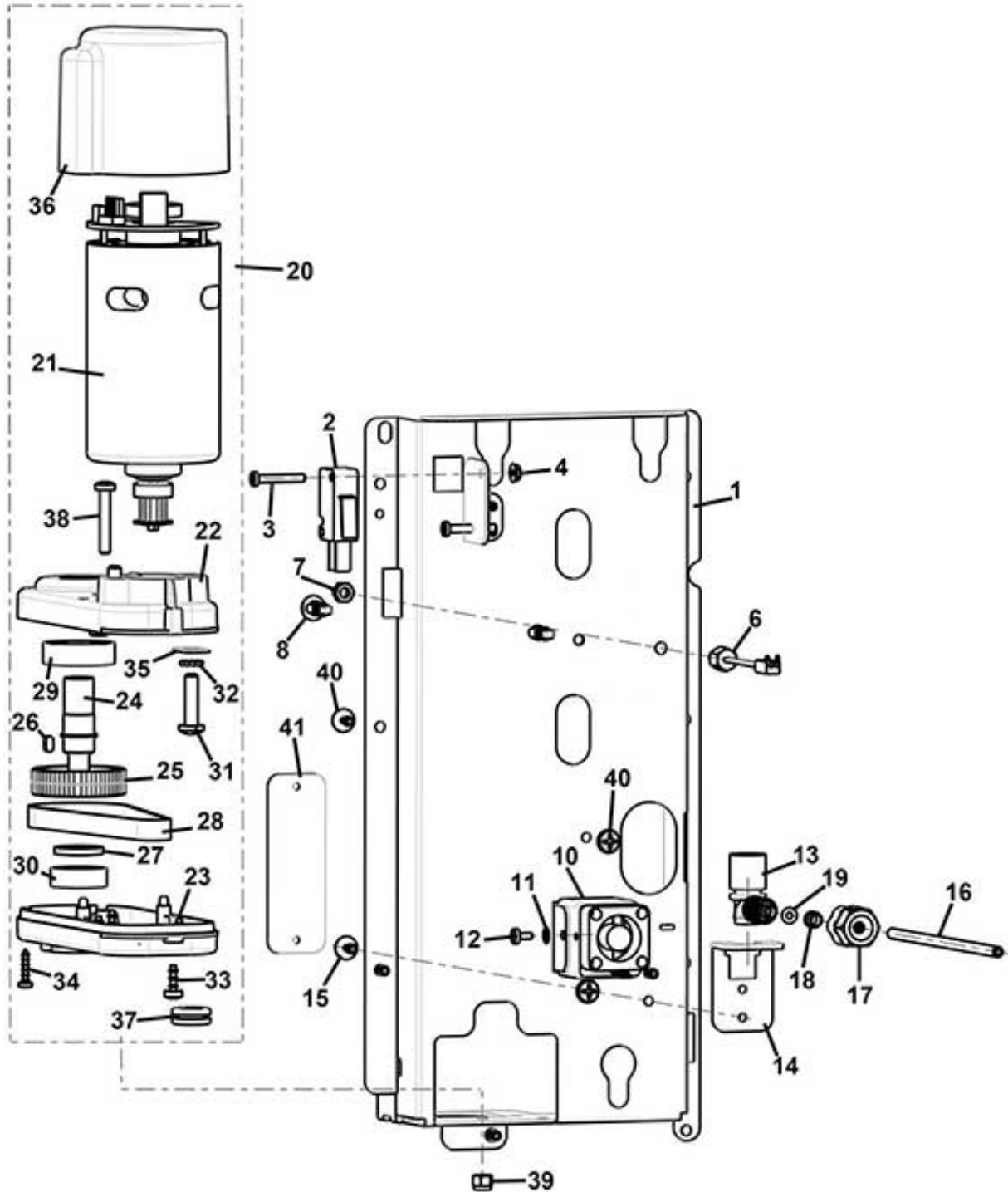
pipes movement		
Pos.	Code	Description
1	Z0090002114R1	§ GEARBOX MOTOR 11RPM 24V DC
2	SCH0003740	MOTOR FILTER
3	ELE0001522	MICROSWITCH
4	ELE0001906	MICROSWITCH LEVER
5	4600010014	SPACER
6	VIT0000105	M 3x20 TSP SCREW
7	VIT0004701	NUT M3
8	Z0380011761NA	GEARBOX MOTOR SUPPORT (BLACK)
9	VIT0000035	SCREW HEAD TAP CAP M4X20
10	Z0380010421	GEARBOX MOTOR SHAFT
11	Z0380010831	BUSH 20X4
12	Z0380011411	DISK
13	Z0200001011	BEARING
14	Z0200001012	PIN BEARING
15	Z0380011752	GUIDE SUPPORT
16	Z0380010933	PIPES MOVEMENT GUIDE RAIL
17	VIT0000005	SCREW HEAD TAP CAP M3X12
18	Z0380010798	NOZZLE MOVEMENT GUIDE
19	Z0380011751NA	PIPE MOVEMENT HOUSING (BLACK)
20	VIT0002401NA	SCREW ST HEAD CAP M3.5X9.5 (BLACK)
21	Z0380011753	PIPE MOVEMENT GUIDE
22	Z0380011754	SLIDE SUPPORT
23	VIT0002009	SCREW ST HEAD CAP M3.5X6.5
24	Z0380011755	SLIDE
25	VIT0002009NA	SCREW ST HEAD CAP M3.5X6.5 (BLACK)
26	VIT0003115	SPRING WASHER 3,7
27	Z0380011327	SUPPORT
28	Z0380010431	SPRING
29	Z0380011328	BRACKET
30	Z0380011229NA	SUGAR CHUTE (BLACK)
31	Z0380010424NA	SUGAR SPLITTER
32	Z0380010599	NOZZLE MOVEMENT BUTTON
33	Z0380011756NA	GEARBOX MOTOR COVER (BLACK)
34	Z0380011551NA	6 NOZZLES HOLDER (BLACK)
35	Z0380011665EB	COFFEE NOZZLE (RAL8019)
36	Z0380011666CK	MILK NOZZLE (RAL7037)
37	Z0380011667MD	TEA NOZZLE (RAL6032)
38	Z0380010657NA	ESPRESSO NOZZLE D.5,7 (BLACK)
39	Z0380010656NA	PLUG BLACK

PRO BREWER SUPPORT+MOTOR

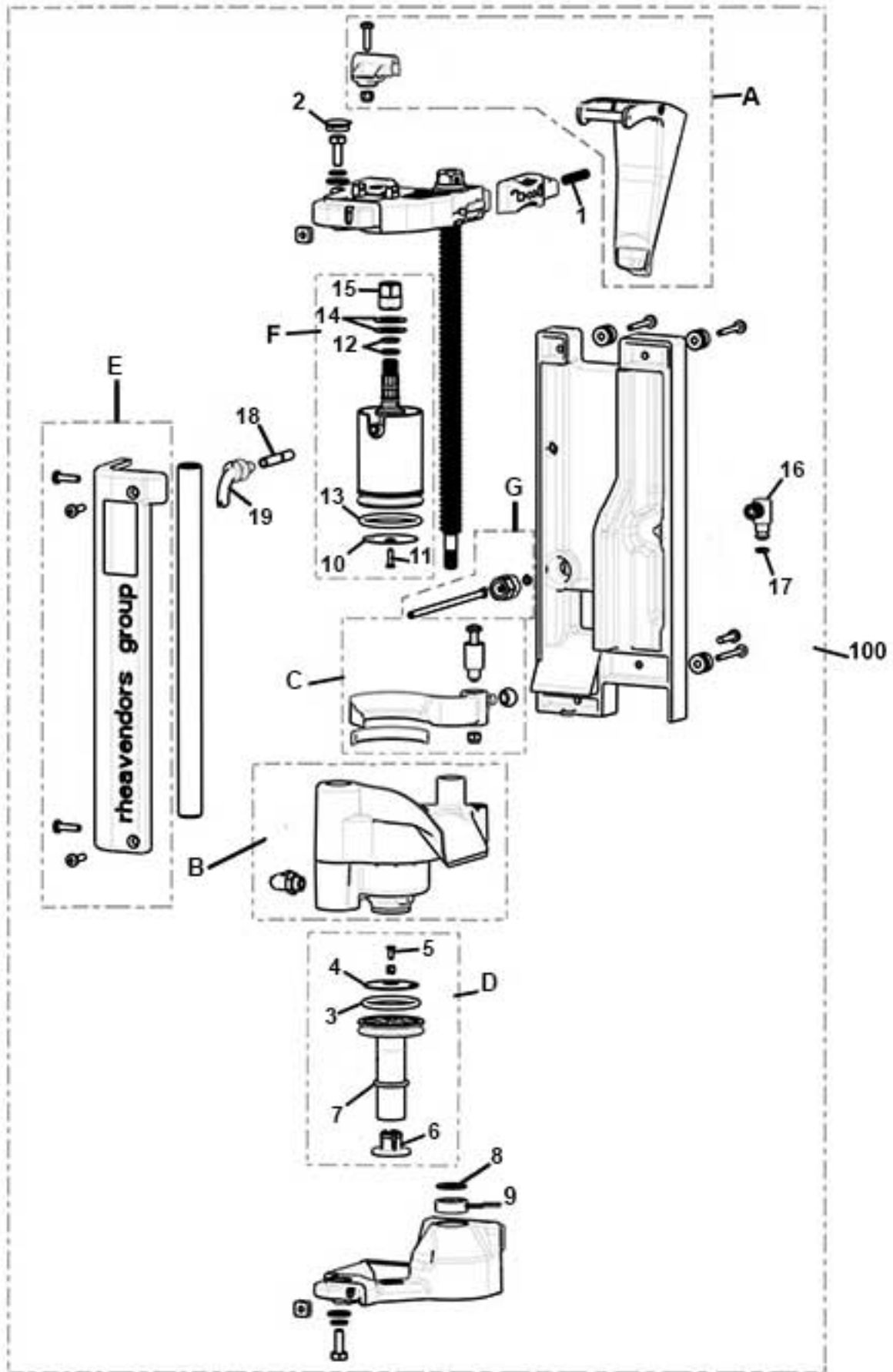


PRO BREWER SUPPORT+MOTOR		
Pos.	Code	Description
1	Z0260014002	VARIFLEX BREWER SUPPORT
2	ELE0001522	MICROSWITCH
3	VIT0000006	SCREW HEAD TAP CAP M3X16
4	VIT0004701	NUT M3
6	ELE0000931	NTC PROBE
7	VIT0004816	NUT M4
8	ELE0062020	PLASTIC BOARD SUP. RLCBSK-10-01BK BLACK
10	ELE0000467-02	FAN HEATER 24V DC
11	VIT0003102	SPRING WASHER 3,2
12	VIT0000002	SCREW HEAD TAP CAP M3X6
13	Z0250014084	FEMALE CONNECTOR
14	Z0260014009	VARIFLEX H2O CONNECTOR SUP.
15	VIT0002009	SCREW ST HEAD CAP M3.5X6.5
16	TTEF02/04T	PTFE PIPE 2X4
17	Z0250014086	NUT
18	Z0100002014	LOCKING RING SO1-4
19	GUA0000061	OR 2010 VITON
20	Z0090002250R	§ VARIFLEX BREW. GEARBOX MOTOR From pos. 21 to pos. 37 (new version components) Assieme
21	Z0090002252	MOTOR 24V DC VRFLX BREWER
22	Z0090002222CK	GEARBOX MOTOR UPPER UNIT (GREY RAL7037)
23	Z0090002223CK	GEARBOX MOTOR LOWER UNIT (GREY RAL7037)
24	Z0090002224	FEMALE CONNECTOR SHAFT
25	Z0090002255AN	PULLEY
26	VIT0006703	CLAMP
27	Z0090002226	SPACER
28	Z0090002258	BELT
29	VIT0009324	BEARING
30	VIT0009320	BEARING
31	VIT0000017	SCREW HEAD TAP CAP M5X20
32	VIT0003104	SPRING WASHER 5,3
33	VIT0002469	SCREW HEAD TAP M3.5X10
34	VIT0002014	SCREW ST HEAD CAP M2.9X13
35	Z0090002240	MOTOR SPACER
36	Z0090002235CK	MR GV BOARD COVER R.7037
37	GUA0010501	ELECTRICAL GROMMET DG 7,5
38	VIT0000015	SCREW HEAD TAP CAP M4X25
39	VIT0004815	NUT M4
40	VIT0002401	SCREW ST HEAD CAP M3.5X9.5
41	Z0260014004	HEATER PLUG
100	Z0250014086R	§ WATER INLET TUBE From pos. 16 to pos. 19 Assieme
101	Z0090002224R	§ FEMALE CONNECTOR SHAFT From pos.24 to pos.30 excluded pos.28 Assieme

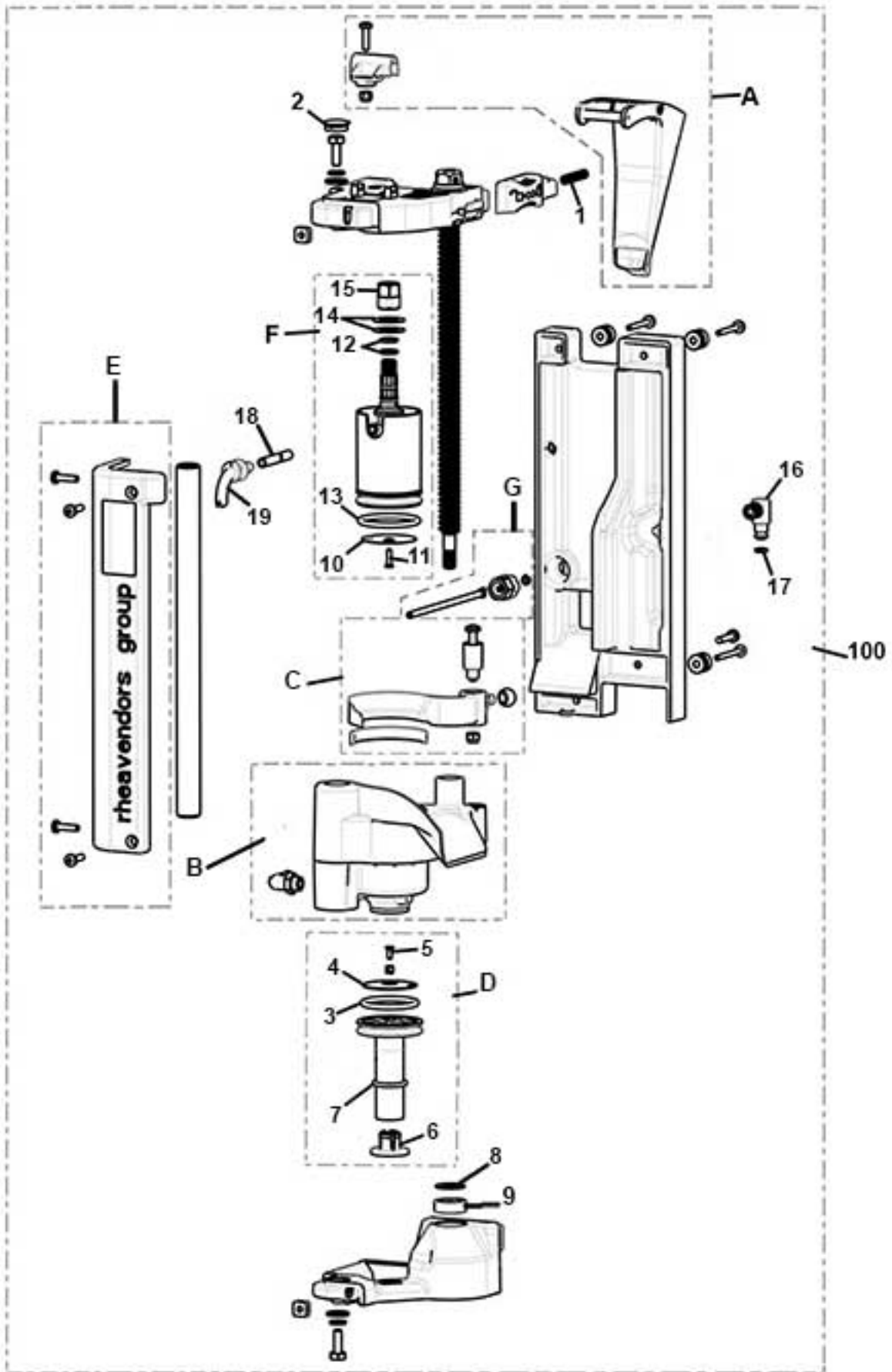
PRO BREWER SUPPORT+MOTOR



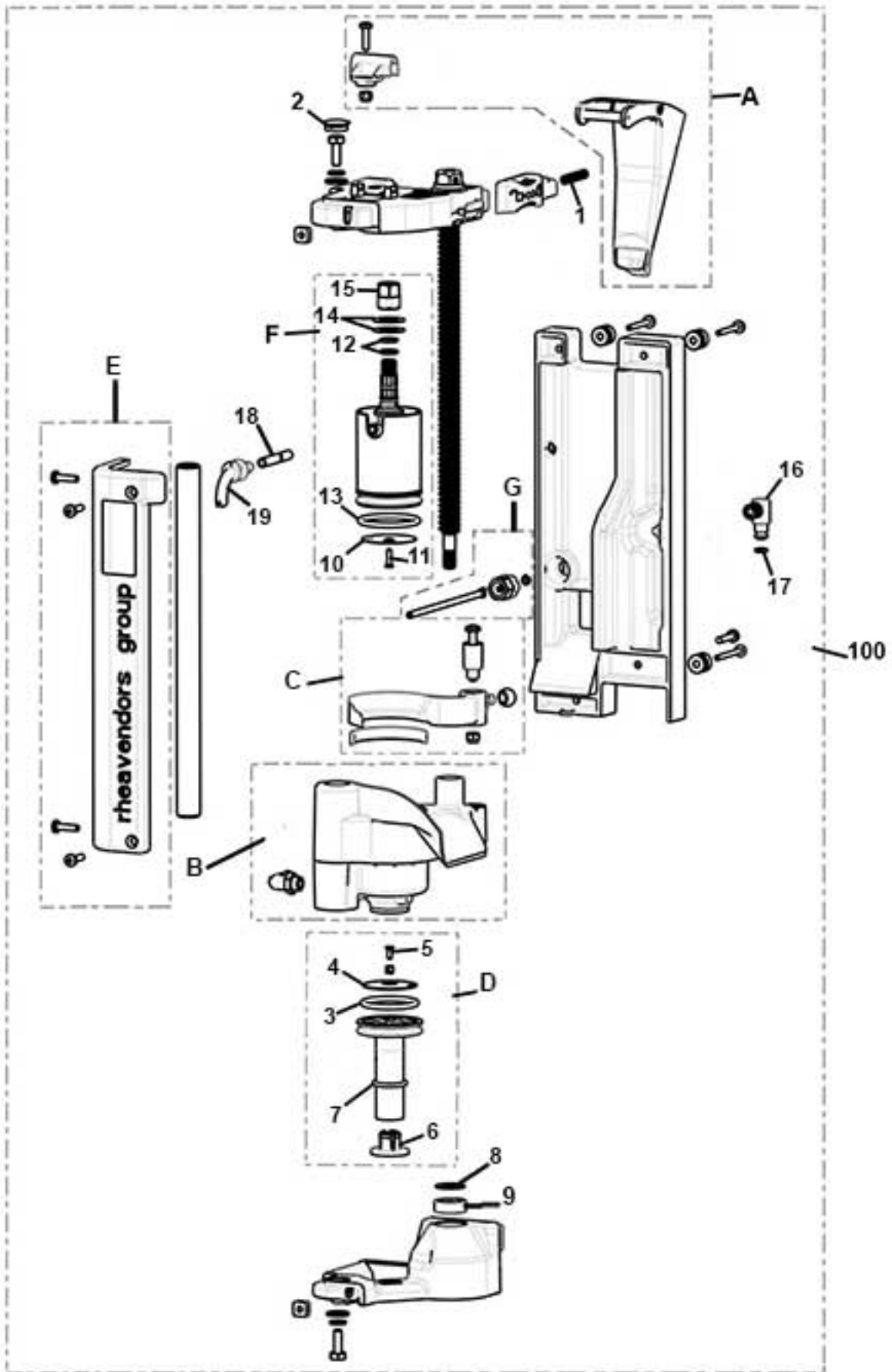
PRO BREWER SUPPORT+MOTOR		
Pos.	Code	Description
1	Z0260014002	VARIFLEX BREWER SUPPORT
2	ELE0001522	MICROSWITCH
3	VIT0000006	SCREW HEAD TAP CAP M3X16
4	VIT0004701	NUT M3
6	ELE0000931	NTC PROBE
7	VIT0004816	NUT M4
8	ELE0062020	PLASTIC BOARD SUP. RLCBSK-10-01BK BLACK
10	ELE0000467-02	FAN HEATER 24V DC
11	VIT0003102	SPRING WASHER 3,2
12	VIT0000002	SCREW HEAD TAP CAP M3X6
13	Z0250014084	FEMALE CONNECTOR
14	Z0260014009	VARIFLEX H2O CONNECTOR SUP.
15	VIT0002009	SCREW ST HEAD CAP M3.5X6.5
16	TTEF02/04T	PTFE PIPE 2X4
17	Z0250014086	NUT
18	Z0100002014	LOCKING RING SO1-4
19	GUA0000061	OR 2010 VITON
20	Z0090002250R	§ VARIFLEX BREW. GEARBOX MOTOR From pos. 21 to pos. 37 (new version components) Assieme
21	Z0090002252	MOTOR 24V DC VRFLX BREWER
22	Z0090002222CK	GEARBOX MOTOR UPPER UNIT (GREY RAL7037)
23	Z0090002223CK	GEARBOX MOTOR LOWER UNIT (GREY RAL7037)
24	Z0090002224	FEMALE CONNECTOR SHAFT
25	Z0090002255AN	PULLEY
26	VIT0006703	CLAMP
27	Z0090002226	SPACER
28	Z0090002258	BELT
29	VIT0009324	BEARING
30	VIT0009320	BEARING
31	VIT0000017	SCREW HEAD TAP CAP M5X20
32	VIT0003104	SPRING WASHER 5,3
33	VIT0002469	SCREW HEAD TAP M3.5X10
34	VIT0002014	SCREW ST HEAD CAP M2.9X13
35	Z0090002240	MOTOR SPACER
36	Z0090002235CK	MR GV BOARD COVER R.7037
37	GUA0010501	ELECTRICAL GROMMET DG 7,5
38	VIT0000015	SCREW HEAD TAP CAP M4X25
39	VIT0004815	NUT M4
40	VIT0002401	SCREW ST HEAD CAP M3.5X9.5
41	Z0260014004	HEATER PLUG
100	Z0250014086R	§ WATER INLET TUBE From pos. 16 to pos. 19 Assieme
101	Z0090002224R	§ FEMALE CONNECTOR SHAFT From pos.24 to pos.30 excluded pos.28 Assieme



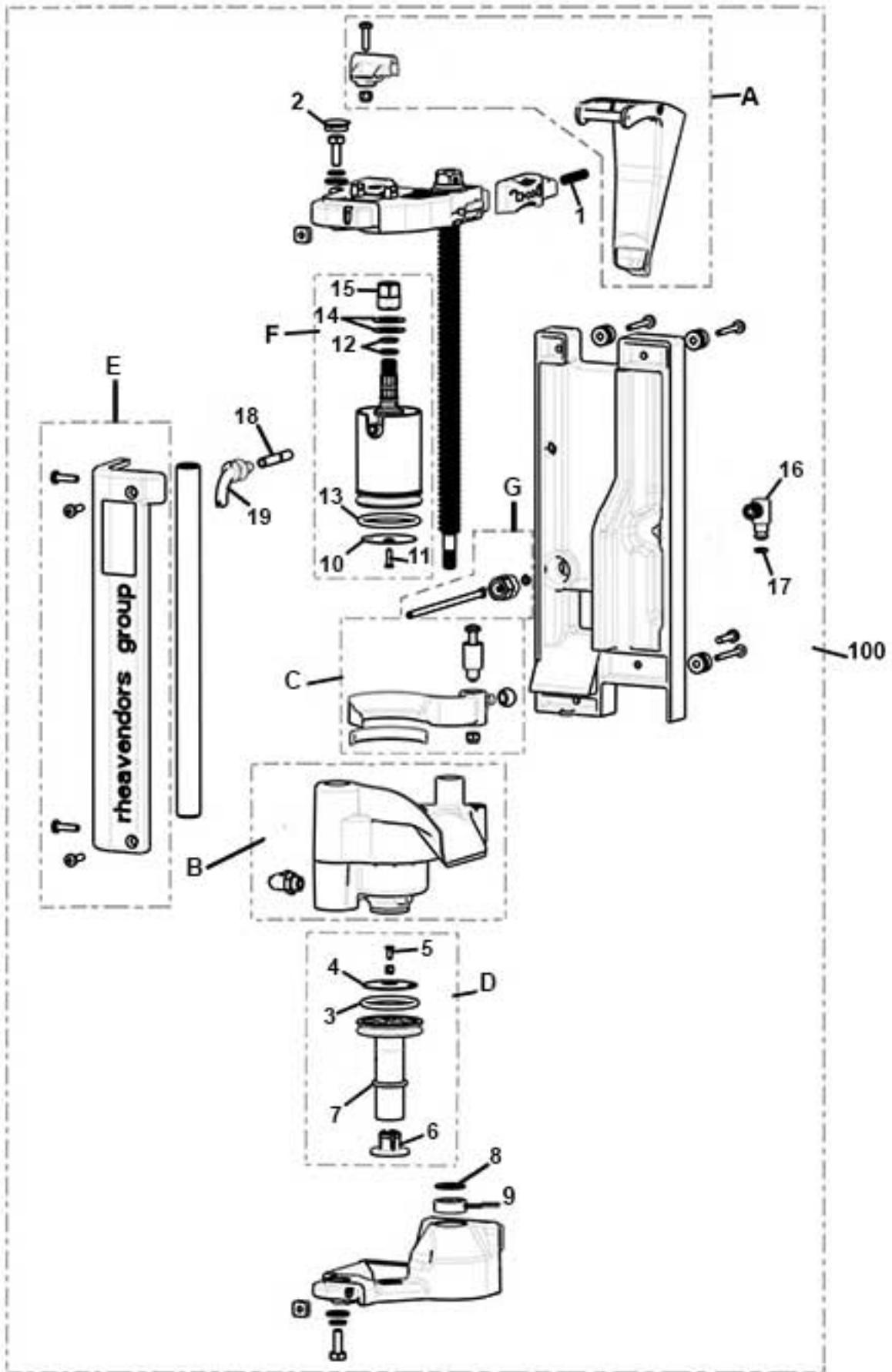
PROFESSIONAL BREWER GROUP D.45		
Pos.	Code	Description
A	0250014008R	§ CHUTE D.45 Assieme
1	Z0250014081	SPRING
2	GUA0011022	PLUG
B	0250014022R	§ INFUZION CHAMBER D.45 included internal components and elbow Assieme
C	Z0250014024R	§ BRUSH D.45 Assieme
D	Z0250014028R	§ LOWER FILTER HOLDER D.45 Assieme
3	GUA0000097	OR 4131 SILICON
4	Z0250014029	COFFEE FILTER
5	VIT0000121	SCREW COUNT FLAT HEAD M3X8
6	Z0250014027	LOWER PISTON LOCK
7	GUA0000103	OR 3075 SILICON
8	Z0250014077	SPACER
9	VIT0009320	BEARING
E	0250014019R	§ FRONTAL COVER Assieme
F	Z0250014045R1	§ UPPER FILTER HOLDER D.45 Assieme
10	Z0250008211	COFFEE FILTER
11	VIT0000129	SCREW COUNT HEAD M3X12
12	GUA0000045	OR 108 VITON
13	GUA0000067	OR 4143 SILICON
14	Z0250014048	SPRING
15	Z0250014086	NUT
16	Z0250014085	MALE CONNECTOR
17	GUA0000004	OR 104
G	Z0250014086R	§ WATER INLET TUBE Assieme
18	Z0250008176CL4	§ COFFEE OUTLET PIPE
19	Z0020039539R	§ SPOUT DELIVERY D.4
100	Z0250014000CL	COFFEE BREWER VARIFLEX D 45 Assieme



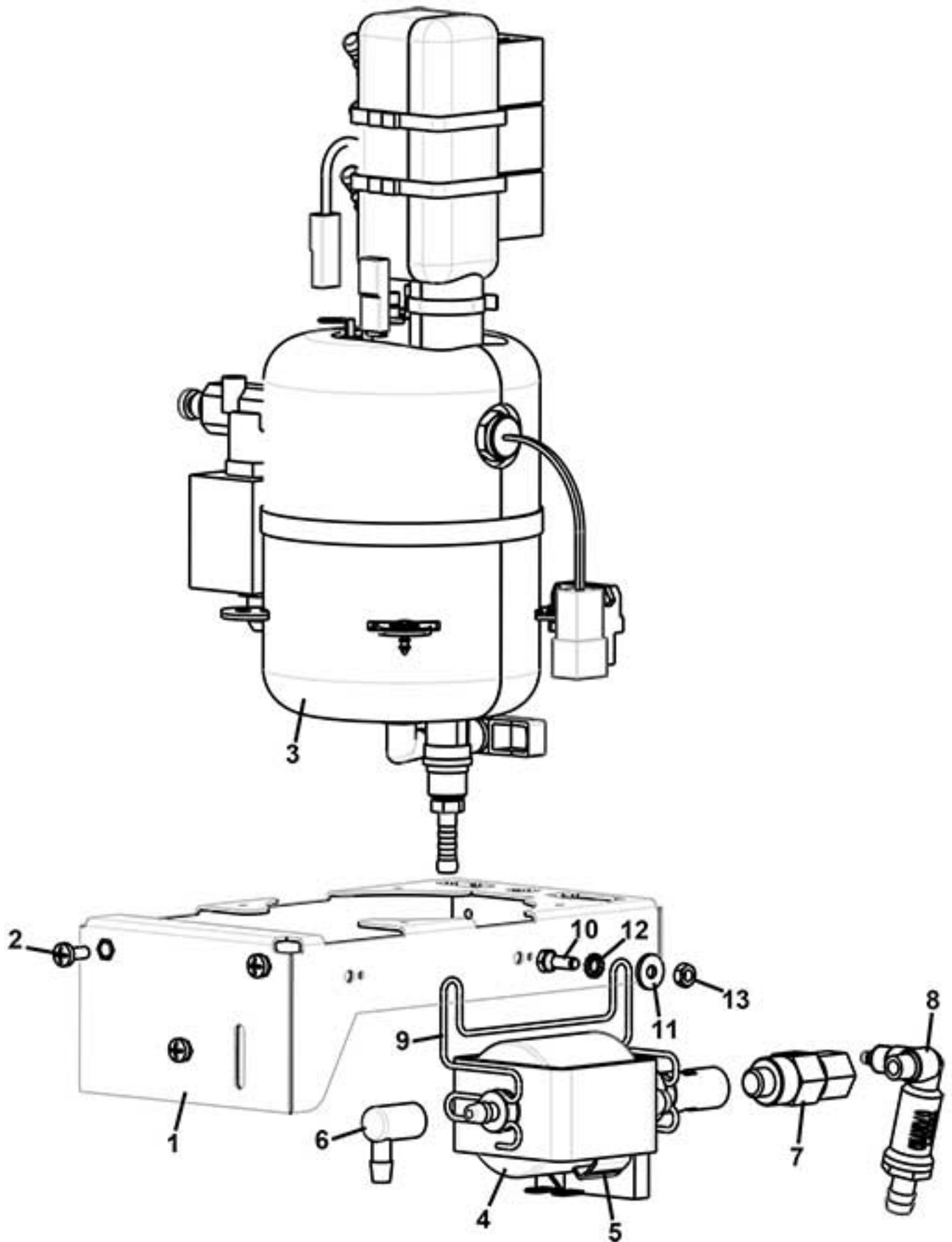
PROFESSIONAL BREWER GROUP D.45		
Pos.	Code	Description
A	0250014008R	§ CHUTE D.45 Assieme
1	Z0250014081	SPRING
2	GUA0011022	PLUG
B	0250014022R	§ INFUZION CHAMBER D.45 included internal components and elbow Assieme
C	Z0250014024R	§ BRUSH D.45 Assieme
D	Z0250014028R	§ LOWER FILTER HOLDER D.45 Assieme
3	GUA0000097	OR 4131 SILICON
4	Z0250014029	COFFEE FILTER
5	VIT0000121	SCREW COUNT FLAT HEAD M3X8
6	Z0250014027	LOWER PISTON LOCK
7	GUA0000103	OR 3075 SILICON
8	Z0250014077	SPACER
9	VIT0009320	BEARING
E	0250014019R	§ FRONTAL COVER Assieme
F	Z0250014045R1	§ UPPER FILTER HOLDER D.45 Assieme
10	Z0250008211	COFFEE FILTER
11	VIT0000129	SCREW COUNT HEAD M3X12
12	GUA0000045	OR 108 VITON
13	GUA0000067	OR 4143 SILICON
14	Z0250014048	SPRING
15	Z0250014086	NUT
16	Z0250014085	MALE CONNECTOR
17	GUA0000004	OR 104
G	Z0250014086R	§ WATER INLET TUBE Assieme
18	Z0250008176CL4	§ COFFEE OUTLET PIPE
19	Z0020039539R	§ SPOUT DELIVERY D.4
100	Z0250014000CL	COFFEE BREWER VARIFLEX D 45 Assieme



PROFESSIONAL BREWER GROUP D.36		
Pos.	Code	Description
A	0250014033R	§ CHUTE D.36 Assieme
1	Z0250014081	SPRING
2	GUA0011022	PLUG
B	0250014032R	§ INFUZION CHAMBER D.36 included internal components and elbow Assieme
C	Z0250014034R	§ BRUSH D.36 Assieme
D	Z0250014038R	§ LOWER FILTER HOLDER D.36 Assieme
3	GUA0000080	OR 4112 SILICON
4	Z0250008019	COFFEE FILTER
5	VIT0000121	SCREW COUNT FLAT HEAD M3X8
6	Z0250014027	LOWER PISTON LOCK
7	GUA0000103	OR 3075 SILICON
8	Z0250014077	SPACER
9	VIT0009320	BEARING
E	0250014019R	§ FRONTAL COVER Assieme
F	Z0250014040R1	§ UPPER FILTER HOLDER D.36 Assieme
10	Z0250008099	COFFEE FILTER
11	VIT0000129	SCREW COUNT HEAD M3X12
12	GUA0000045	OR 108 VITON
13	GUA0000080	OR 4112 SILICON
14	Z0250014048	SPRING
15	Z0250014086	NUT
16	Z0250014085	MALE CONNECTOR
17	GUA0000004	OR 104
G	Z0250014086R	§ WATER INLET TUBE Assieme
18	Z0250008176CL4	§ COFFEE OUTLET PIPE
19	Z0020039539R	§ SPOUT DELIVERY D.4
100	Z0250014060CL	§ COFFEE BREWER VARIFLEX D.36 Assieme

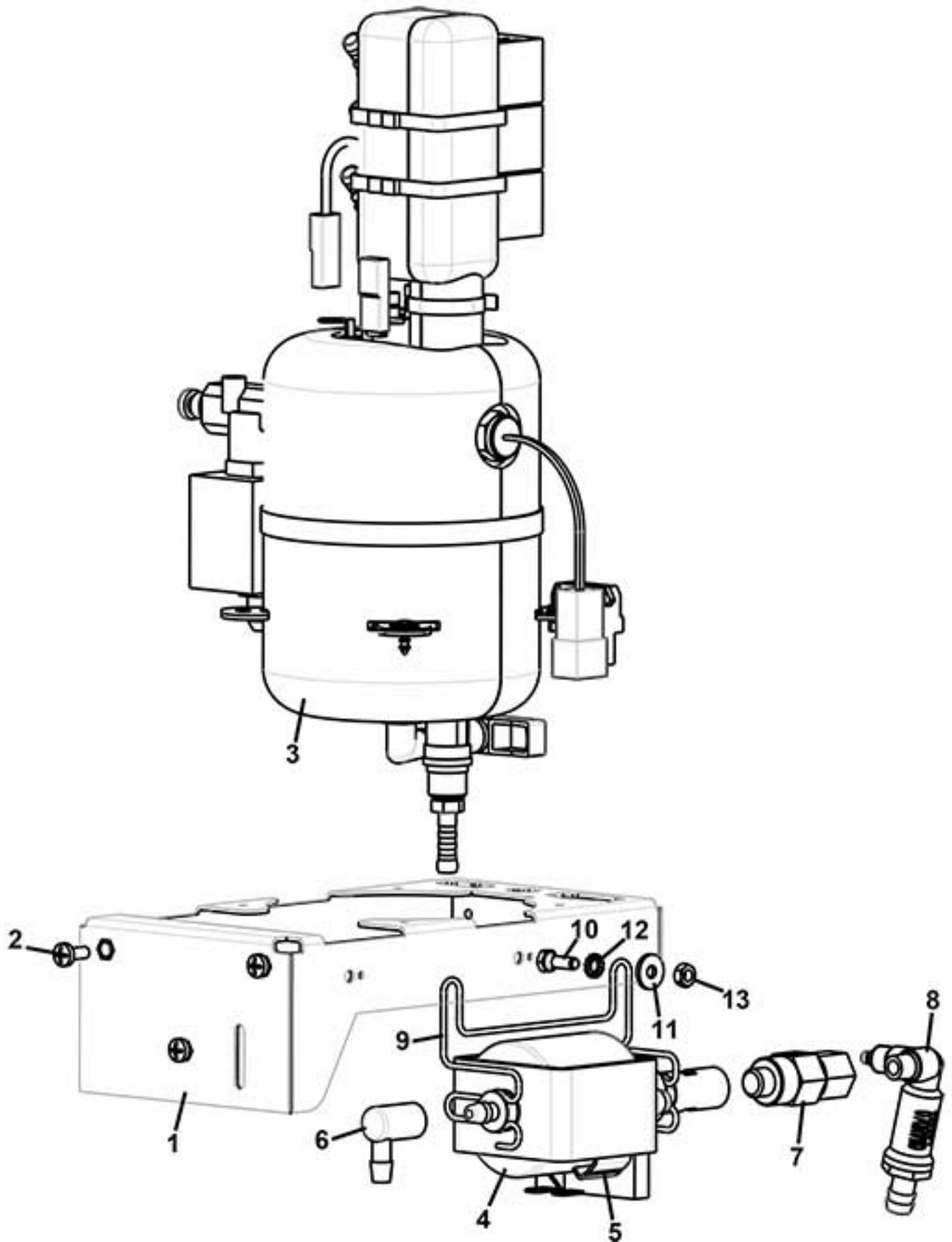


PROFESSIONAL BREWER GROUP D.36		
Pos.	Code	Description
A	0250014033R	§ CHUTE D.36 Assieme
1	Z0250014081	SPRING
2	GUA0011022	PLUG
B	0250014032R	§ INFUZION CHAMBER D.36 included internal components and elbow Assieme
C	Z0250014034R	§ BRUSH D.36 Assieme
D	Z0250014038R	§ LOWER FILTER HOLDER D.36 Assieme
3	GUA0000080	OR 4112 SILICON
4	Z0250008019	COFFEE FILTER
5	VIT0000121	SCREW COUNT FLAT HEAD M3X8
6	Z0250014027	LOWER PISTON LOCK
7	GUA0000103	OR 3075 SILICON
8	Z0250014077	SPACER
9	VIT0009320	BEARING
E	0250014019R	§ FRONTAL COVER Assieme
F	Z0250014040R1	§ UPPER FILTER HOLDER D.36 Assieme
10	Z0250008099	COFFEE FILTER
11	VIT0000129	SCREW COUNT HEAD M3X12
12	GUA0000045	OR 108 VITON
13	GUA0000080	OR 4112 SILICON
14	Z0250014048	SPRING
15	Z0250014086	NUT
16	Z0250014085	MALE CONNECTOR
17	GUA0000004	OR 104
G	Z0250014086R	§ WATER INLET TUBE Assieme
18	Z0250008176CL4	§ COFFEE OUTLET PIPE
19	Z0020039539R	§ SPOUT DELIVERY D.4
100	Z0250014060CL	§ COFFEE BREWER VARIFLEX D.36 Assieme



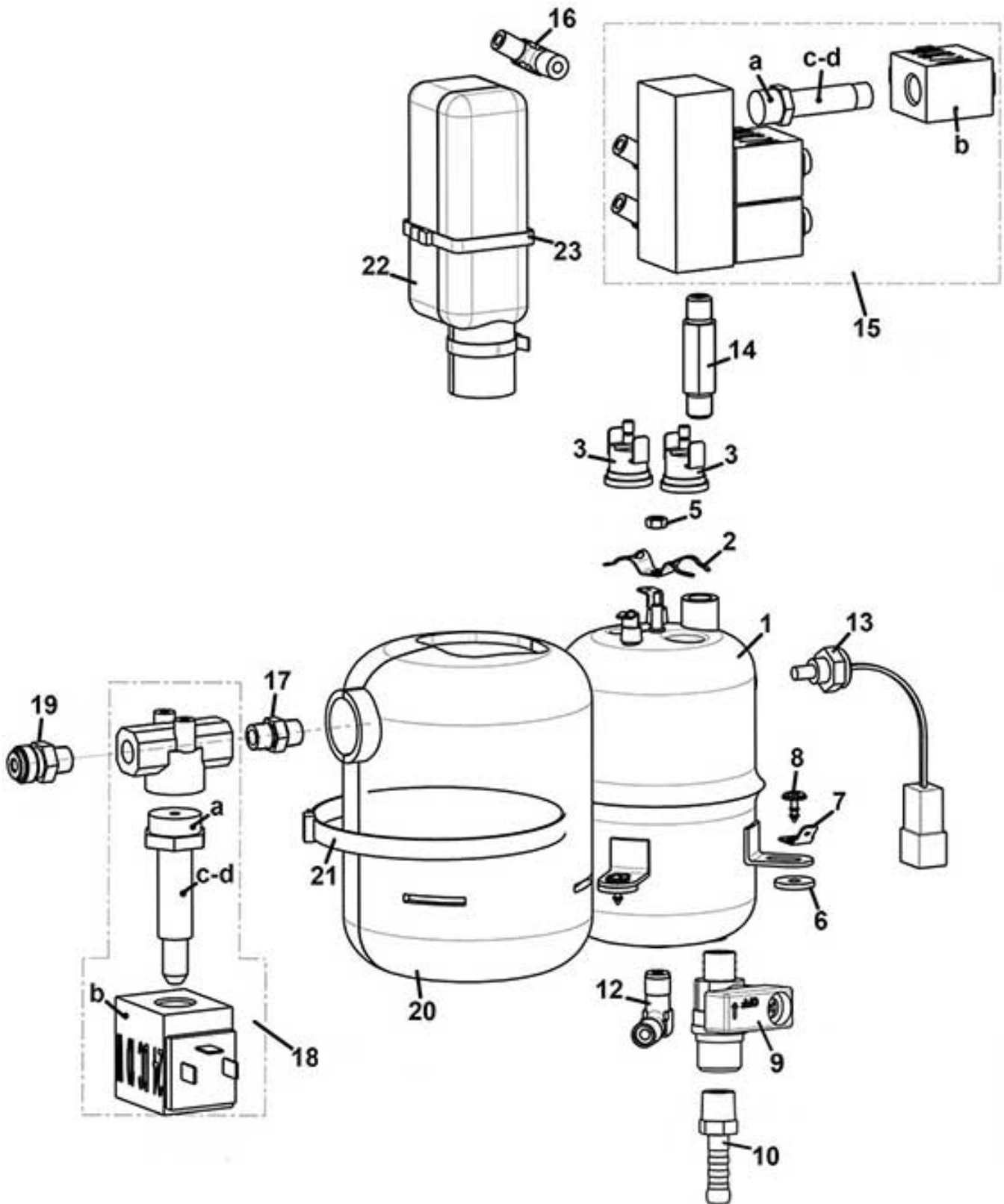
ESPRESSO boiler support		
Pos.	Code	Description
1/a	0600019795NA	STAINLESS STEEL BOILER SUPPORT (BLACK)
1/b	0600019799NA	800CC INOX BOILER SUPPORT (BLACK)
2	VIT0000012	SCREW HEAD TAP CAP M4X10
3		See table ESPRESSO BOILER
4	Z0110004041	PUMP EX5 230V-50HZ
5	ELE0000915	PUMP THERMOPROTECTOR
6	Z0110004023	PUMP ELBOW CONNECTOR
7	Z0110002012R	§ CHECK VALVE I:1/8M O:1/8F+COPPER GASKET
8	Z0110004070	BY PASS VALVE 11 BAR
9	Z0110004038	PUMP SUPPORT
10	VIT0000013	SCREW HEAD TAP CAP M4X12
11	VIT0003301	WASHER 4,3X12X1,5
12	VIT0003103	SPRING WASHER 4,3
13	VIT0004503	NUT M4

ESPRESSO boiler support



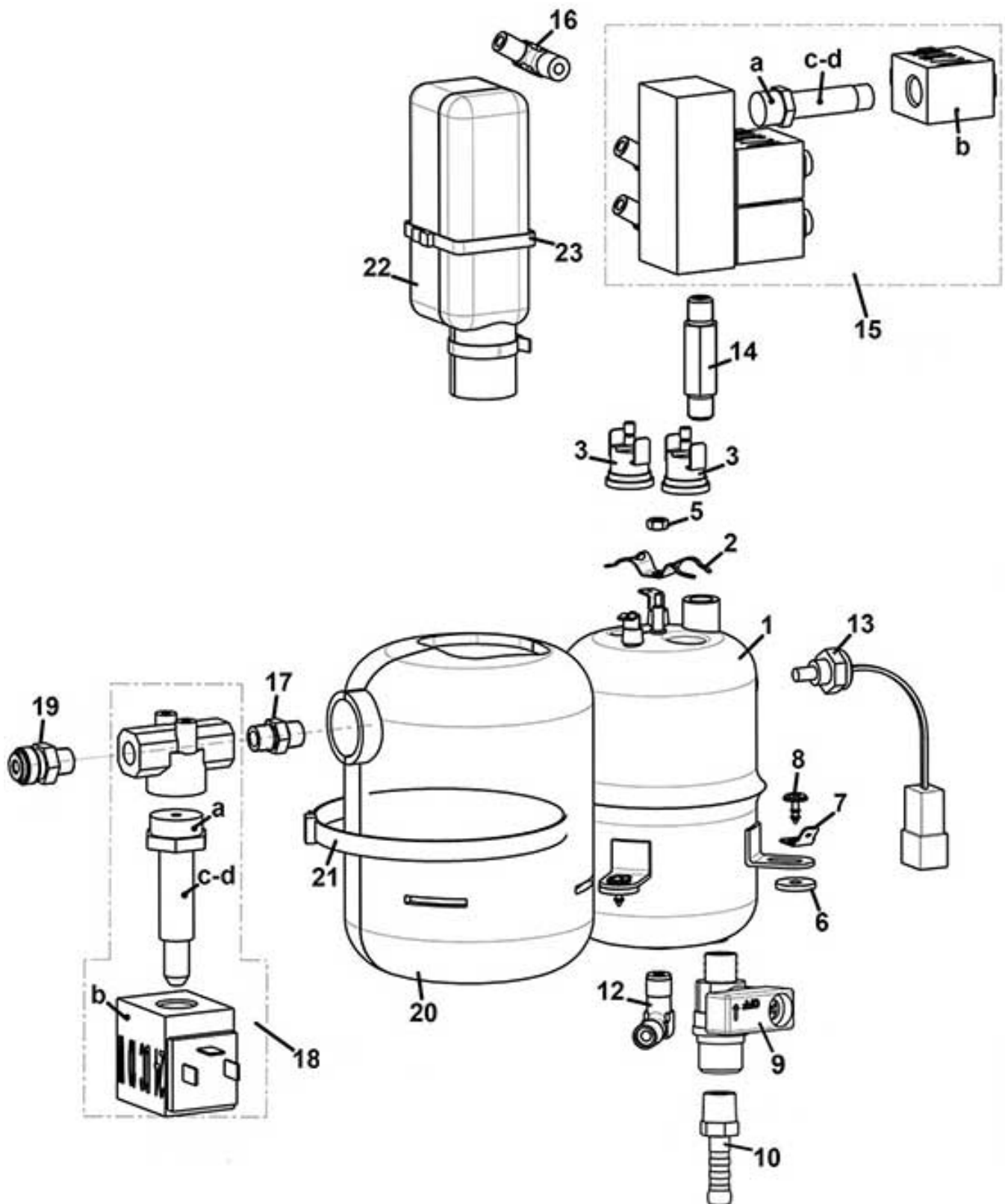
ESPRESSO boiler support		
Pos.	Code	Description
1/a	0600019795NA	STAINLESS STEEL BOILER SUPPORT (BLACK)
1/b	0600019799NA	800CC INOX BOILER SUPPORT (BLACK)
2	VIT0000012	SCREW HEAD TAP CAP M4X10
3		See table ESPRESSO BOILER
4	Z0110004041	PUMP EX5 230V-50HZ
5	ELE0000915	PUMP THERMOPROTECTOR
6	Z0110004023	PUMP ELBOW CONNECTOR
7	Z0110002012R	§ CHECK VALVE I:1/8M O:1/8F+COPPER GASKET
8	Z0110004070	BY PASS VALVE 11 BAR
9	Z0110004038	PUMP SUPPORT
10	VIT0000013	SCREW HEAD TAP CAP M4X12
11	VIT0003301	WASHER 4,3X12X1,5
12	VIT0003103	SPRING WASHER 4,3
13	VIT0004503	NUT M4

ESPRESSO BOILER



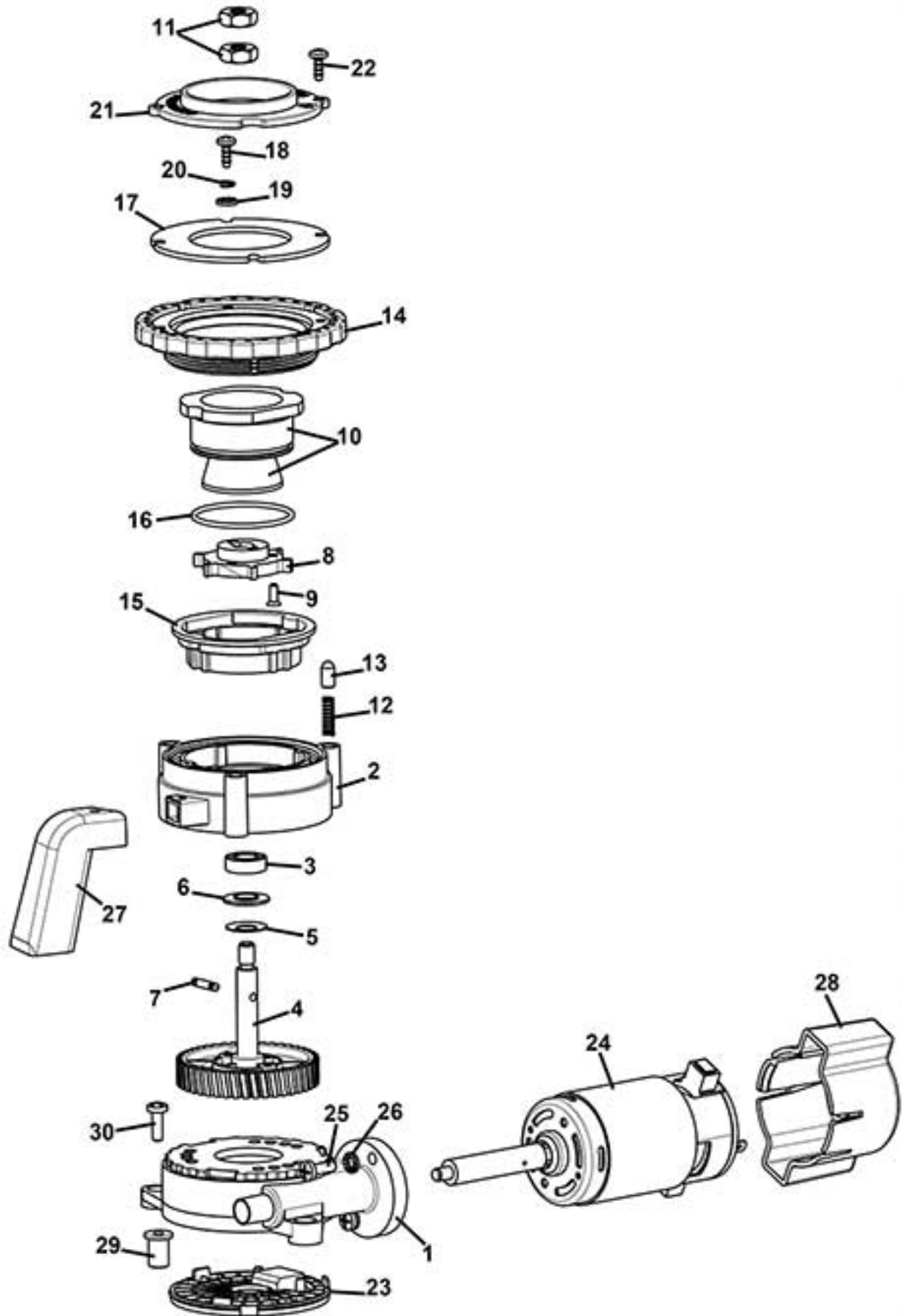
ESPRESSO BOILER		
Pos.	Code	Description
1/a	Z0600019701CL	§ BOILER 1500 W 230V 400 CC From pos.1 to pos. 5 Assieme
1/b	Z0600019703CL	§ PRESS.BOIL.800CC 2000W 230V From pos.1 to pos. 5 Assieme
2	Z0600019188	THERMOSTAT CLIP
3	ELE0000982	CLIXSON 120°
5	VIT0004826	NUT M4X0,7
6	1600001098	RUBBER SPACER D. 4,5
7	Z0600019012	GROUND WIRING
8	VIT0002401	SCREW ST HEAD CAP M3.5X9.5
9	Z0600019017	TAP M/F 1/8
10	Z0100001082	RUBBER HOLDER D.7-GC 1/8
12	Z0100001109	ELBOW CONNECTOR 6-1/8+OR
13	ELE0000975	ESPRESSO PROBE
14	Z0600012658	BOILER STRAIGHT CONNECTOR
15/1	Z0110001117	VALVE BLOCK 3V 2W 24V DC 7W
15/2	Z0110001129	VALVE BLOCK 4V 2W 24V DC 7W
15/1-2-a	Z0110010138	SLEEVE (D.13,9+WHITE OR)
15/1-2-a	Z0110010148	SLEEVE (D.14,9+GREEN OR)
15/1-2-b	Z0110010135	COIL 7W 24V DC
15/1-2-c-d	Z0110010136	CORE+SPRING
16	Z0100001102	CONNECTOR 1/8"-Ø7,2 90°
17	Z0100001084	NIPPLE 1/8
18	Z0110001112	VALVE 3W 1/8 24V DC
18/a	Z0110010142	SLEEVE
18/b	Z0110010141	COIL 24V DC
18/c	Z0110010144	CORE+SPRING
18/d	Z0110010146	SPRING
19/a	Z0100001070	STRAIGHT CONNECTOR 800 4-1/8
19/b	Z0100001111	CONNECTOR 4-1/8+OR
20/a	Z0600019195	INSULATION SHELL
20/b	Z0600019198	800CC INSULATION SHELL
21	FASC000214	PLASTIC CLIP BLACK 7,8X365
22/a	Z0600019196	INSULATION SHELL
22/b	0600019175	INSULATION SHELL
23	FASC000215	PLASTIC CLIP BLACK 2,6X200

ESPRESSO BOILER



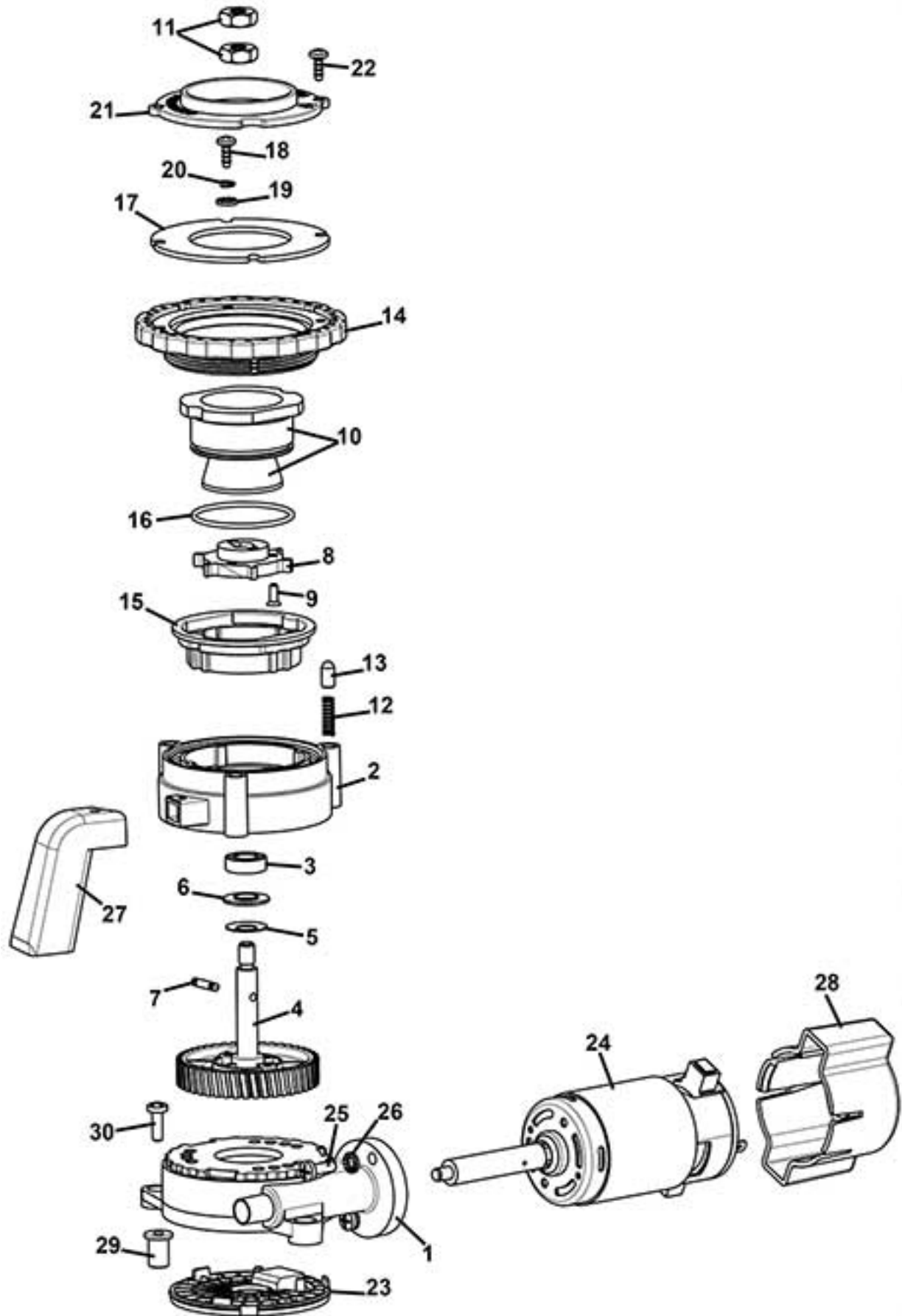
ESPRESSO BOILER		
Pos.	Code	Description
1/a	Z0600019701CL	§ BOILER 1500 W 230V 400 CC From pos.1 to pos. 5 Assieme
1/b	Z0600019703CL	§ PRESS.BOIL.800CC 2000W 230V From pos.1 to pos. 5 Assieme
2	Z0600019188	THERMOSTAT CLIP
3	ELE0000982	CLIXSON 120°
5	VIT0004826	NUT M4X0,7
6	1600001098	RUBBER SPACER D. 4,5
7	Z0600019012	GROUND WIRING
8	VIT0002401	SCREW ST HEAD CAP M3.5X9.5
9	Z0600019017	TAP M/F 1/8
10	Z0100001082	RUBBER HOLDER D.7-GC 1/8
12	Z0100001109	ELBOW CONNECTOR 6-1/8+OR
13	ELE0000975	ESPRESSO PROBE
14	Z0600012658	BOILER STRAIGHT CONNECTOR
15/1	Z0110001117	VALVE BLOCK 3V 2W 24V DC 7W
15/2	Z0110001129	VALVE BLOCK 4V 2W 24V DC 7W
15/1-2-a	Z0110010138	SLEEVE (D.13,9+WHITE OR)
15/1-2-a	Z0110010148	SLEEVE (D.14,9+GREEN OR)
15/1-2-b	Z0110010135	COIL 7W 24V DC
15/1-2-c-d	Z0110010136	CORE+SPRING
16	Z0100001102	CONNECTOR 1/8"-Ø7,2 90°
17	Z0100001084	NIPPLE 1/8
18	Z0110001112	VALVE 3W 1/8 24V DC
18/a	Z0110010142	SLEEVE
18/b	Z0110010141	COIL 24V DC
18/c	Z0110010144	CORE+SPRING
18/d	Z0110010146	SPRING
19/a	Z0100001070	STRAIGHT CONNECTOR 800 4-1/8
19/b	Z0100001111	CONNECTOR 4-1/8+OR
20/a	Z0600019195	INSULATION SHELL
20/b	Z0600019198	800CC INSULATION SHELL
21	FASC000214	PLASTIC CLIP BLACK 7,8X365
22/a	Z0600019196	INSULATION SHELL
22/b	0600019175	INSULATION SHELL
23	FASC000215	PLASTIC CLIP BLACK 2,6X200

GRINDER



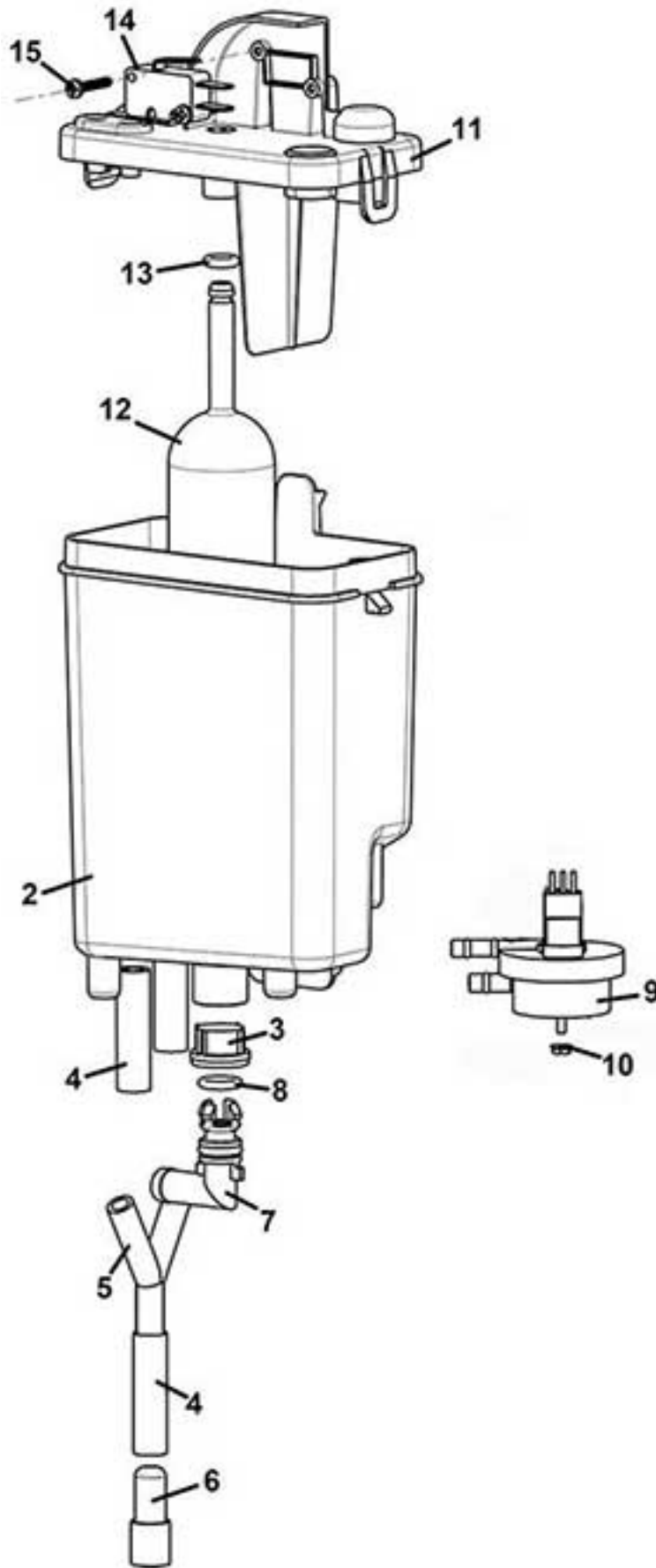
GRINDER		
Pos.	Code	Description
1/a	Z0320001639NAR	§ MOTOR SUPPORT BLACK+PLUG Not more sold. Substituted from pos. 1/b
1/b	Z0320001702R	§ MOTOR SUPPORT ALUMINIUM+PLUG
2	Z0320001602NAR	GRINDER BLADES SUPPORT
3	VIT0009325	BEARING
4	Z0320001608R	§ WHEEL+SHAFT+MAGNETS
5	Z0320001629	SPRING
6	Z0320001625	BUSH
7	Z0320001704	GRINDER ROTATION PIN REINFORCED
8	Z0320001636	GRINDED COFFEE EJECTOR
9	VIT0000121	SCREW COUNT FLAT HEAD M3X8
10/a	Z0320001620	CONIC MILL Not more sold. Substituted from pos. 10/b
10/b	Z0320001680	CONIC BLADES PLUS
11	Z0320001642	LOWER GRINDER FIXING NUT
12	Z0320001643	SPRING D.4X15X0,6
13	Z0320001624	REGULATION PIN
14	Z0320001605NAR	§ REGULATION RING NUT BLACK
15	Z0320001635NA	GRINDER SUPPORT BLACK
16	GUA0000124	OR 2137
17	Z0320001622	UPPER GRINDER FIXING
18	VIT0002469	SCREW HEAD TAP M3.5X10
19	Z0320001666	SPACER D.4x7x2
20	VIT0003103	SPRING WASHER 4,3
21	Z0320001607NA	DUCT BLACK
22	VIT0002469	SCREW HEAD TAP M3.5X10
23	Z0320001604NA	PLUG BLACK
24	Z0090003047	GRINDER MOTOR 230V
25	VIT0000013	SCREW HEAD TAP CAP M4X12
26	VIT0003103	SPRING WASHER 4,3
27	Z0320004736	GRINDER CHUTE (ORANGE)
28	Z0320001615NA	GRINDER SENSOR COVER BLACK
29	Z0320001628	NO-VIBRATION BUSH
30	VIT0000012	SCREW HEAD TAP CAP M4X10
100	Z0320001601CL3AL	§ GRINDER -VARIFLEX BREWER - PLUS BLADES From pos.1 to pos. 28 Assieme

GRINDER



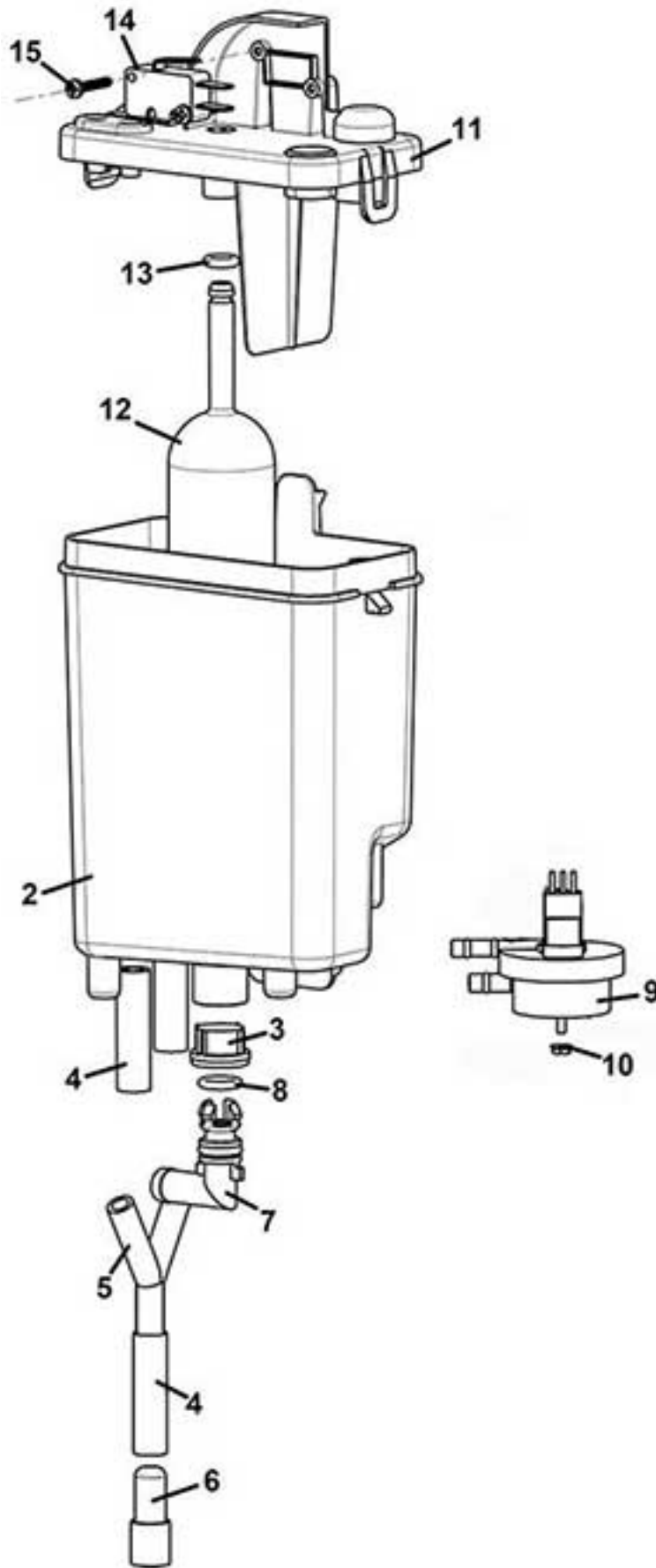
GRINDER		
Pos.	Code	Description
1/a	Z0320001639NAR	§ MOTOR SUPPORT BLACK+PLUG Not more sold. Substituted from pos. 1/b
1/b	Z0320001702R	§ MOTOR SUPPORT ALUMINIUM+PLUG
2	Z0320001602NAR	GRINDER BLADES SUPPORT
3	VIT0009325	BEARING
4	Z0320001608R	§ WHEEL+SHAFT+MAGNETS
5	Z0320001629	SPRING
6	Z0320001625	BUSH
7	Z0320001704	GRINDER ROTATION PIN REINFORCED
8	Z0320001636	GRINDED COFFEE EJECTOR
9	VIT0000121	SCREW COUNT FLAT HEAD M3X8
10/a	Z0320001620	CONIC MILL Not more sold. Substituted from pos. 10/b
10/b	Z0320001680	CONIC BLADES PLUS
11	Z0320001642	LOWER GRINDER FIXING NUT
12	Z0320001643	SPRING D.4X15X0,6
13	Z0320001624	REGULATION PIN
14	Z0320001605NAR	§ REGULATION RING NUT BLACK
15	Z0320001635NA	GRINDER SUPPORT BLACK
16	GUA0000124	OR 2137
17	Z0320001622	UPPER GRINDER FIXING
18	VIT0002469	SCREW HEAD TAP M3.5X10
19	Z0320001666	SPACER D.4x7x2
20	VIT0003103	SPRING WASHER 4,3
21	Z0320001607NA	DUCT BLACK
22	VIT0002469	SCREW HEAD TAP M3.5X10
23	Z0320001604NA	PLUG BLACK
24	Z0090003047	GRINDER MOTOR 230V
25	VIT0000013	SCREW HEAD TAP CAP M4X12
26	VIT0003103	SPRING WASHER 4,3
27	Z0320004736	GRINDER CHUTE (ORANGE)
28	Z0320001615NA	GRINDER SENSOR COVER BLACK
29	Z0320001628	NO-VIBRATION BUSH
30	VIT0000012	SCREW HEAD TAP CAP M4X10
100	Z0320001601CL3AL	§ GRINDER -VARIFLEX BREWER - PLUS BLADES From pos.1 to pos. 28 Assieme

water inlet panel



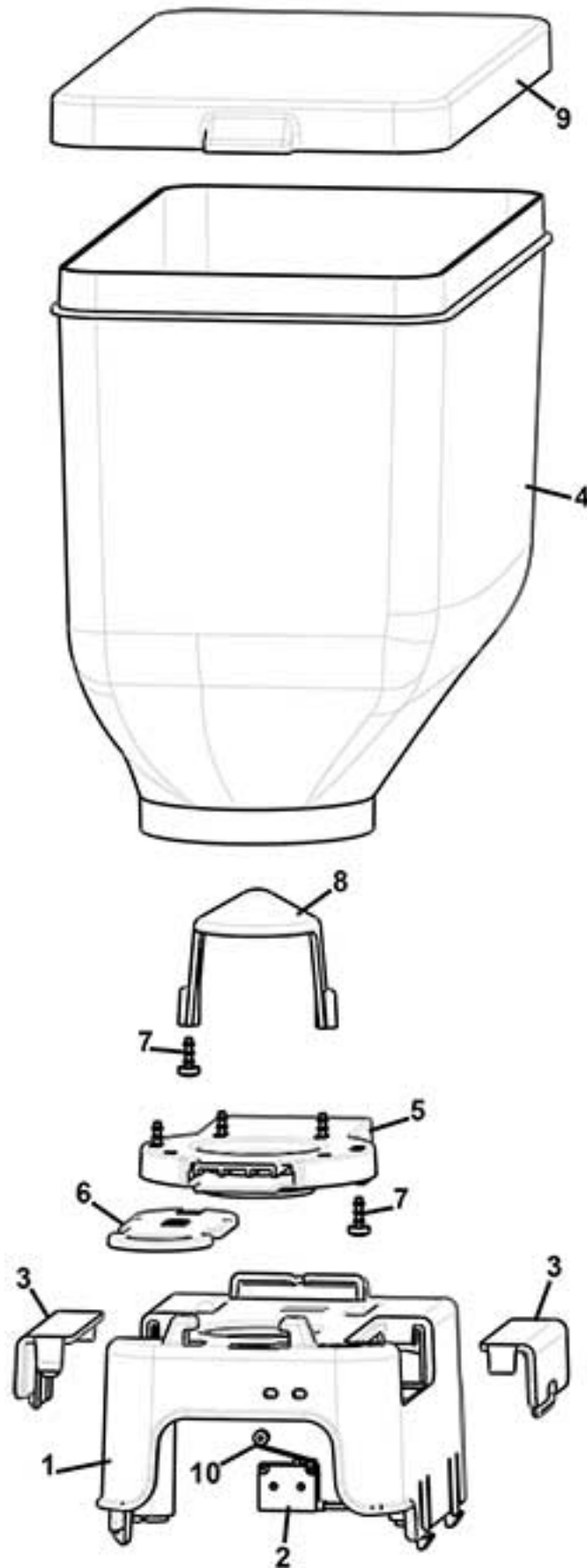
water inlet panel		
Pos.	Code	Description
2	Z0800013041	AIR BREAK TANK
3	Z0110020007	PLASTIC FILTER DIAM. 20
4	TSIL07/11T	SILICON HOSE 7X11
5	Z0100001065	CONNECTOR "Y"
6	650001057	DRAINER PLUG
8	GUA0000043	OR 109
9	Z0110007003	VOLUMETRIC COUNTER
10	VIT0004701	NUT M3
11	Z0800013043	AIR BREAK COVER
12	Z0800013046	AIR BREAK WASTE FLOAT
13	GUA0000082	SILOCONE GASKET D.6
14	ELE0001514	MICROSWITCH 3A 125-250VA
15	VIT0002013	SCREW ST HEAD CAP M2.9X19

water inlet panel



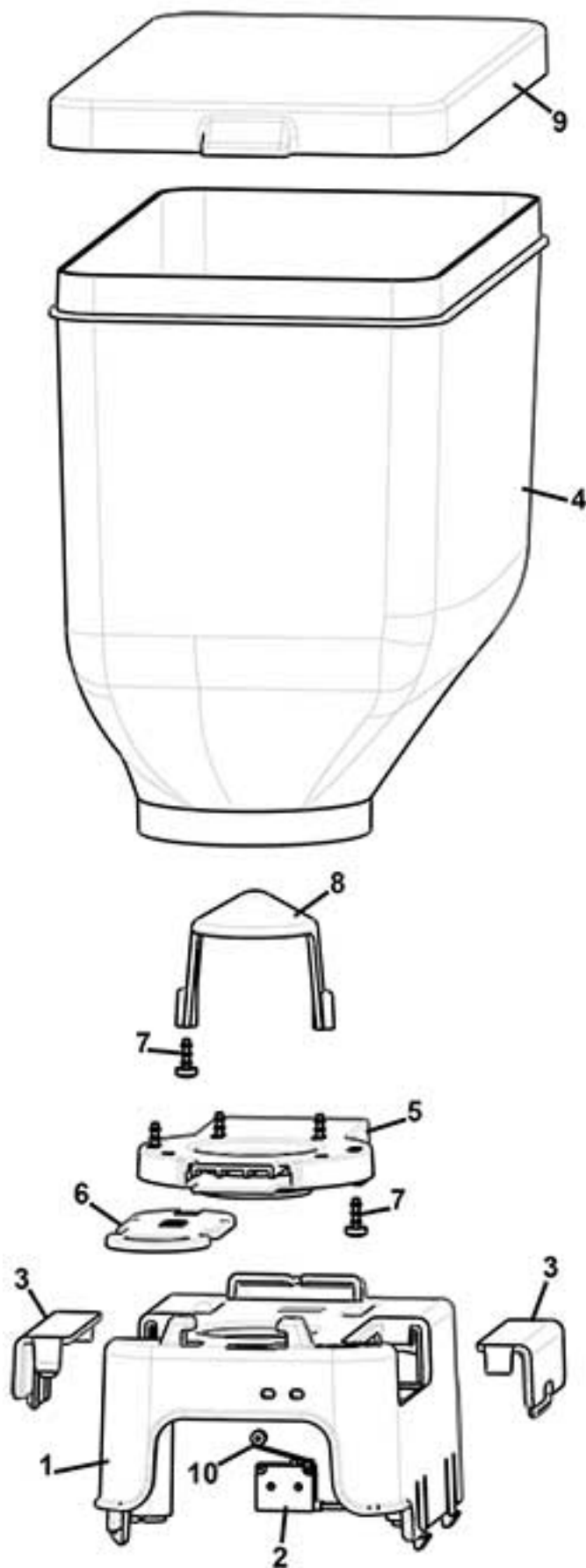
water inlet panel		
Pos.	Code	Description
2	Z0800013041	AIR BREAK TANK
3	Z0110020007	PLASTIC FILTER DIAM. 20
4	TSIL07/11T	SILICON HOSE 7X11
5	Z0100001065	CONNECTOR "Y"
6	650001057	DRAINER PLUG
8	GUA0000043	OR 109
9	Z0110007003	VOLUMETRIC COUNTER
10	VIT0004701	NUT M3
11	Z0800013043	AIR BREAK COVER
12	Z0800013046	AIR BREAK WASTE FLOAT
13	GUA0000082	SILOCONE GASKET D.6
14	ELE0001514	MICROSWITCH 3A 125-250VA
15	VIT0002013	SCREW ST HEAD CAP M2.9X19

coffee beans container



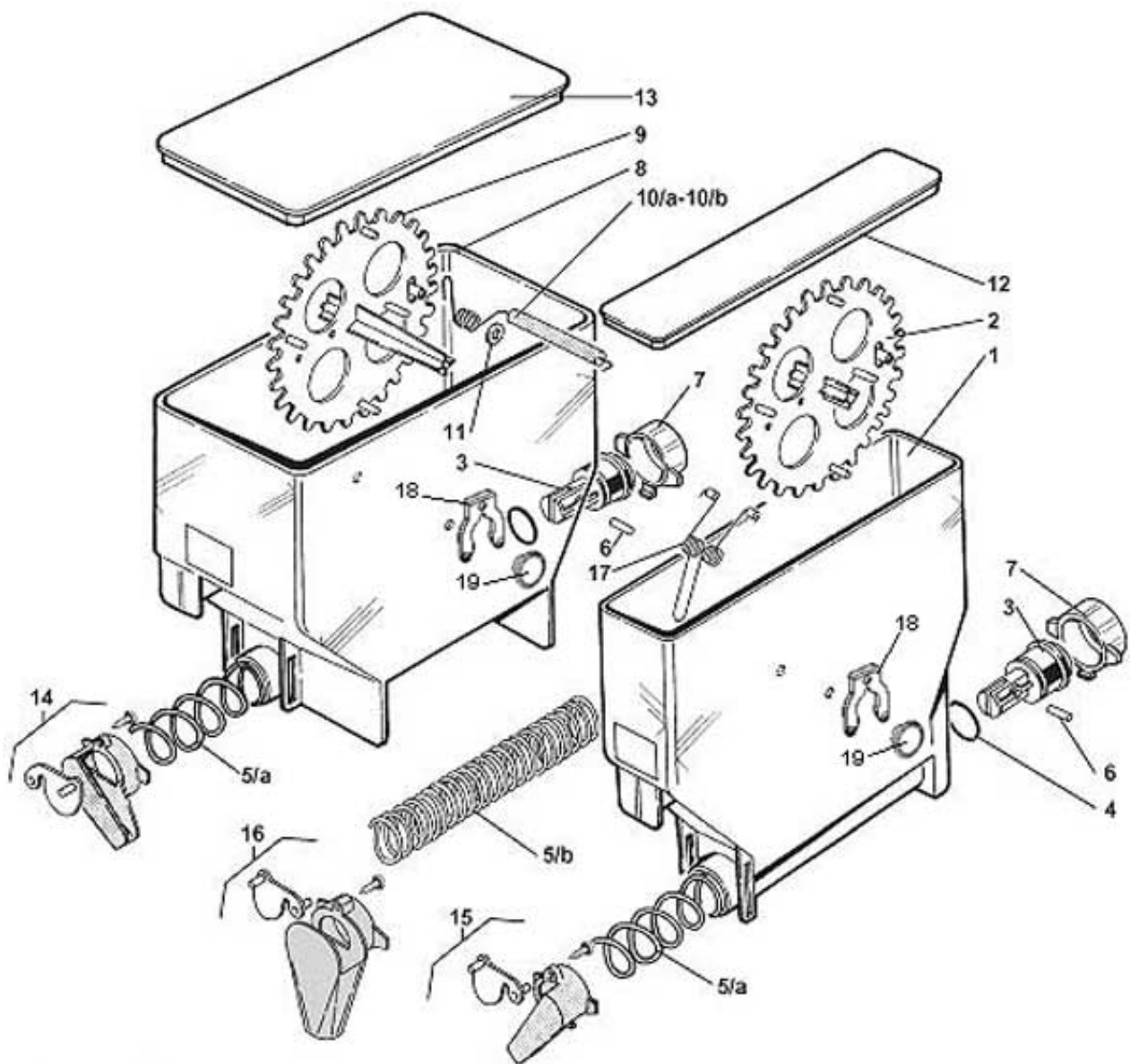
coffee beans container		
Pos.	Code	Description
1	Z0230015738-03	GRINDER COVER
2	ELE0001522	MICROSWITCH
3	Z0230015229-02	REGULATION COVER
4	Z0230015171	COFFEE BEANS HOPPER
5	Z0230015231	COFFEE BEANS HOPPER ADAPTER
6	Z0230015224IC	COFFEE BEANS HOPPER STOPPER
7	VIT0002114	SCREW COUNT FLAT HEAD M3.5X16
8	Z0230015227TR	GRINDER COVER
9	Z0230015172	COFFEE BEANS HOPPER LID
10	ELE0001911	MICROSWITCH LEVER
100	Z0230015170CL1	§ COFFEE BEANS HOPPER From pos.4 to pos.9 Assieme

coffee beans container

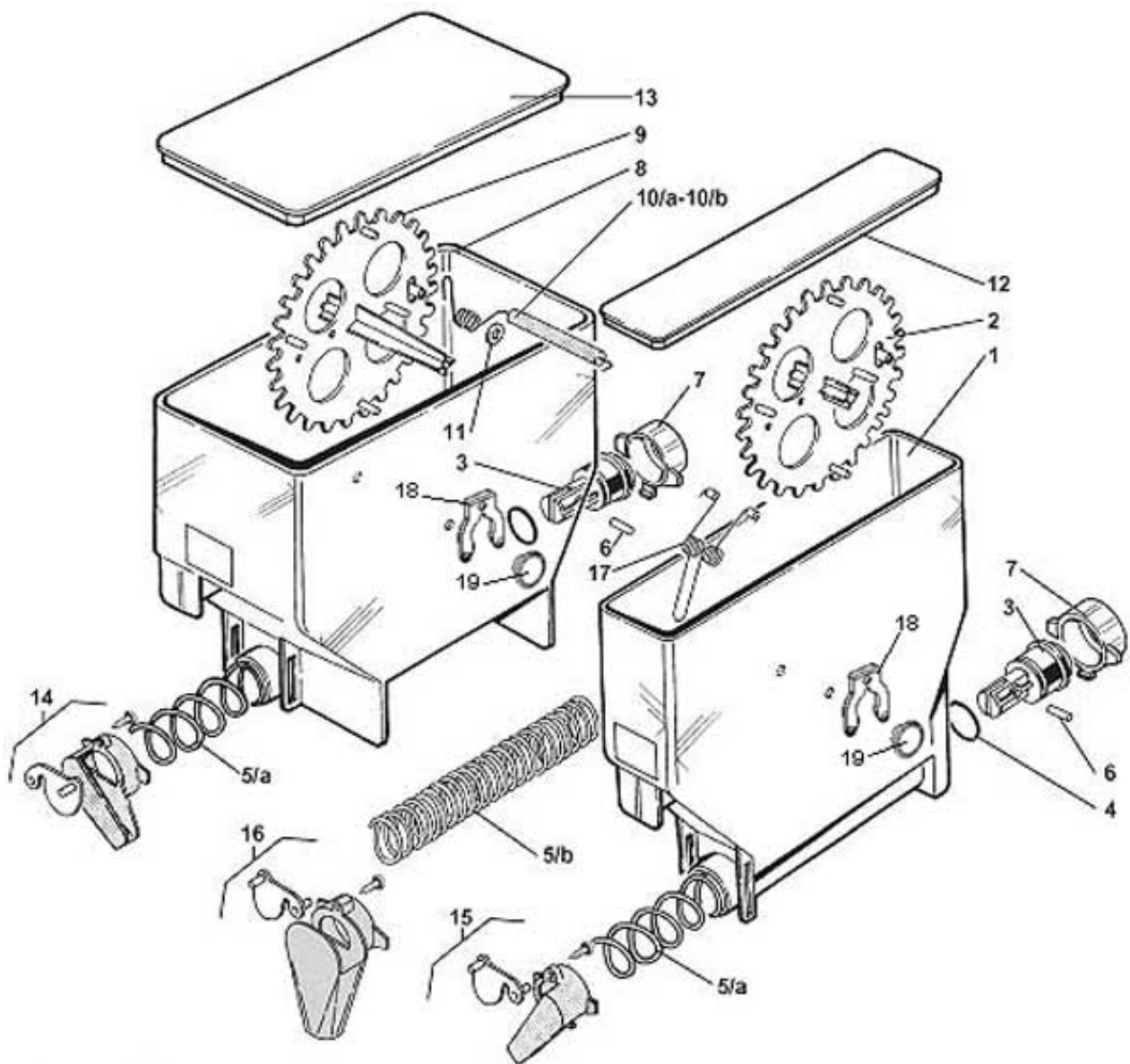


coffee beans container		
Pos.	Code	Description
1	Z0230015738-03	GRINDER COVER
2	ELE0001522	MICROSWITCH
3	Z0230015229-02	REGULATION COVER
4	Z0230015171	COFFEE BEANS HOPPER
5	Z0230015231	COFFEE BEANS HOPPER ADAPTER
6	Z0230015224IC	COFFEE BEANS HOPPER STOPPER
7	VIT0002114	SCREW COUNT FLAT HEAD M3.5X16
8	Z0230015227TR	GRINDER COVER
9	Z0230015172	COFFEE BEANS HOPPER LID
10	ELE0001911	MICROSWITCH LEVER
100	Z0230015170CL1	§ COFFEE BEANS HOPPER From pos.4 to pos.9 Assieme

products container



products container		
Pos.	Code	Description
1	Z0230030233	INGREDIENT CANISTER 54 190
2	Z0230030236AB	WHEEL (PLASTIC)
3	Z0230030012	SPIRAL PIN
4	GUA0000083	OR 123
5/a	Z0230030014	SPIRAL 18
5/b	Z0230030013	SPIRAL 9
6	VIT0005106	SPRING PIN 2X14
7	Z0230030011	REAR BUSH
8	Z0230030234	§ CANISTER 110-265 W/PIN
9	Z0230030237AB	DOUBLE WHEEL (PLASTIC)
10/a	Z0230030064	AGITATOR 112-RIGHT OUTLET
10/b	Z0230030062	PRODUCT AGITATOR 112-LEFT
11	VIT0003210	WASHER 8,4X16X1,6
12	Z0230030006	CANISTER 55 LID
13	Z0230030009	CANISTER 112 LID
14/1a	Z0230030198R	§ INGRED. CHUTE-RIGHT ORANGE-LONG
14/2a	Z0230030058R	§ INGRED. CHUTE-RIGHT ORANGE-SHORT
14/1b	Z0230030187R	§ INGREDIENT CHUTE-RIGHT RED-LONG
14/2b	Z0230030044R	§ INGREDIENT CHUTE-RIGHT RED-SHORT
15/1a	Z0230030197R	§ INGREDIENT CHUTE-LEFT ORANGE-LONG
15/2a	Z0230030057R	§ INGREDIENT CHUTE-LEFT ORANGE-SHORT
15/1a	Z0230030186R	§ INGREDIENT CHUTE-LEFT RED-LONG
15/2b	Z0230030043R	§ INGREDIENT CHUTE-LEFT RED-SHORT
16/1a	Z0230030199R	§ INGRED. CHUTE-FRONTALORANGE-LONG
16/2a	Z0230030059R	§ INGRED. CHUTE-FRONTALORANGE-SHORT
16/1b	Z0230030188R	§ INGREDIENT CHUTE-FRONTAL RED-LONG
16/2b	Z0230030055R	§ INGREDIENT CHUTE-FRONTAL RED-SHORT
17	Z0230030060-04	ANTIBRIDGING
18	Z0230030239	WHEEL PIN FORK
19	Z0230030238	WHEEL PIN
100	Z0230030013CL	§ SPIRAL 9 Assieme
101	Z0230030014CL	§ SPIRAL 18 Assieme
102	Z0230030250R	§ CANIS. 54-265 WHEEL18 W/LID Assieme
103	Z0230030251R	§ CANIS. 54-265 WHEEL9 W/LID Assieme
104	Z0230030254R	§ CANIS. 54-265 SPIRAL9 W/LID Assieme
105	Z0230030260R	§ CAN. 110-265 AGIT.18 W/LID-R Assieme
107	Z0230030262R	§ CAN. 110-265 AGIT.18 W/LID-L Assieme
108	Z0230030233R	§ CANISTER 54-265 Pos. 1+2+18+19 Assieme



products container		
Pos.	Code	Description
1	Z0230030233	INGREDIENT CANISTER 54 190
2	Z0230030236AB	WHEEL (PLASTIC)
3	Z0230030012	SPIRAL PIN
4	GUA0000083	OR 123
5/a	Z0230030014	SPIRAL 18
5/b	Z0230030013	SPIRAL 9
6	VIT0005106	SPRING PIN 2X14
7	Z0230030011	REAR BUSH
8	Z0230030234	§ CANISTER 110-265 W/PIN
9	Z0230030237AB	DOUBLE WHEEL (PLASTIC)
10/a	Z0230030064	AGITATOR 112-RIGHT OUTLET
10/b	Z0230030062	PRODUCT AGITATOR 112-LEFT
11	VIT0003210	WASHER 8,4X16X1,6
12	Z0230030006	CANISTER 55 LID
13	Z0230030009	CANISTER 112 LID
14/1a	Z0230030198R	§ INGRED. CHUTE-RIGHT ORANGE-LONG
14/2a	Z0230030058R	§ INGRED. CHUTE-RIGHT ORANGE-SHORT
14/1b	Z0230030187R	§ INGREDIENT CHUTE-RIGHT RED-LONG
14/2b	Z0230030044R	§ INGREDIENT CHUTE-RIGHT RED-SHORT
15/1a	Z0230030197R	§ INGREDIENT CHUTE-LEFT ORANGE-LONG
15/2a	Z0230030057R	§ INGREDIENT CHUTE-LEFT ORANGE-SHORT
15/1a	Z0230030186R	§ INGREDIENT CHUTE-LEFT RED-LONG
15/2b	Z0230030043R	§ INGREDIENT CHUTE-LEFT RED-SHORT
16/1a	Z0230030199R	§ INGRED. CHUTE-FRONTALORANGE-LONG
16/2a	Z0230030059R	§ INGRED. CHUTE-FRONTALORANGE-SHORT
16/1b	Z0230030188R	§ INGREDIENT CHUTE-FRONTAL RED-LONG
16/2b	Z0230030055R	§ INGREDIENT CHUTE-FRONTAL RED-SHORT
17	Z0230030060-04	ANTIBRIDGING
18	Z0230030239	WHEEL PIN FORK
19	Z0230030238	WHEEL PIN
100	Z0230030013CL	§ SPIRAL 9 Assieme
101	Z0230030014CL	§ SPIRAL 18 Assieme
102	Z0230030250R	§ CANIS. 54-265 WHEEL18 W/LID Assieme
103	Z0230030251R	§ CANIS. 54-265 WHEEL9 W/LID Assieme
104	Z0230030254R	§ CANIS. 54-265 SPIRAL9 W/LID Assieme
105	Z0230030260R	§ CAN. 110-265 AGIT.18 W/LID-R Assieme
107	Z0230030262R	§ CAN. 110-265 AGIT.18 W/LID-L Assieme
108	Z0230030233R	§ CANISTER 54-265 Pos. 1+2+18+19 Assieme