

The recycling passport is valid for the following articles:

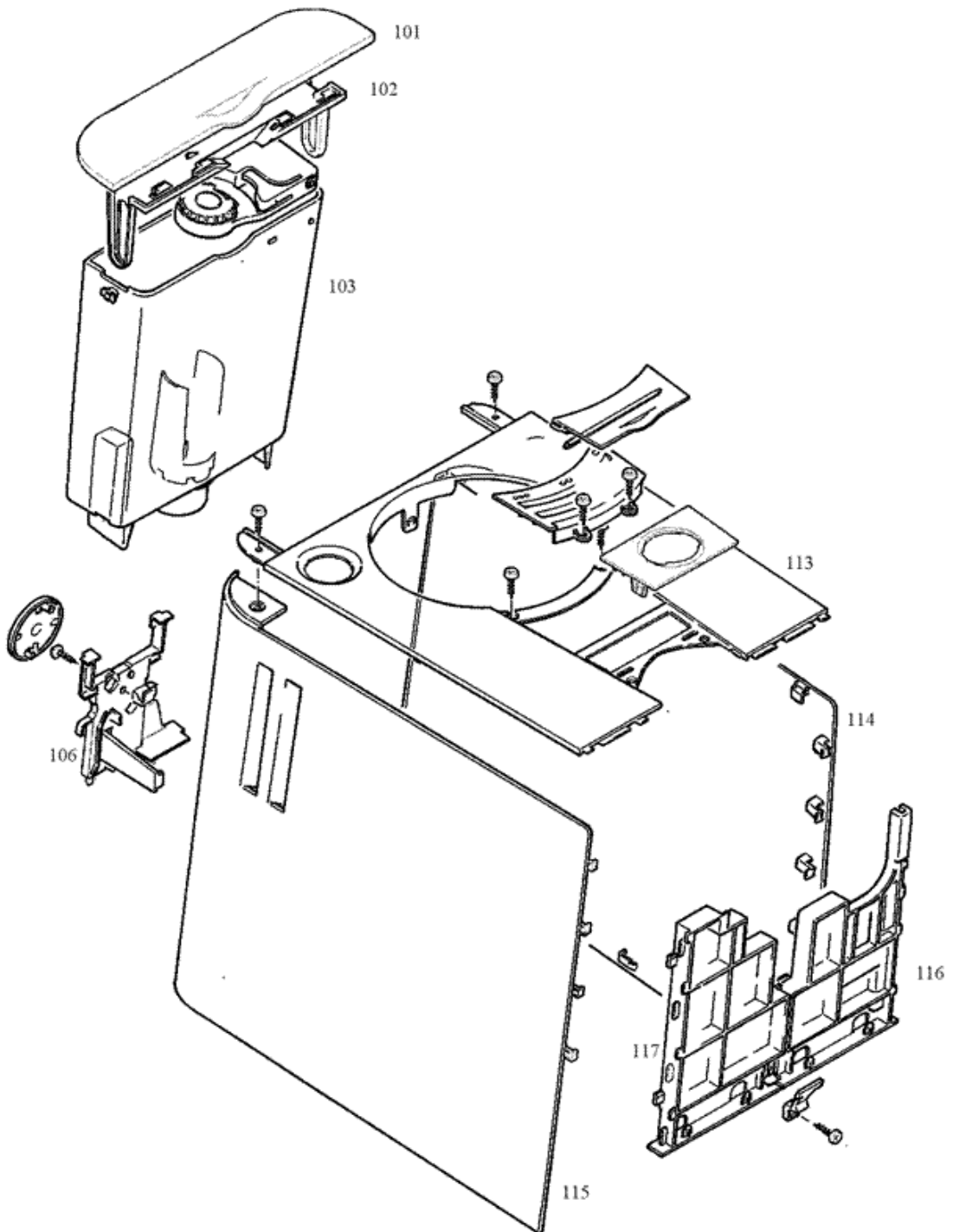
- 13330 ENA 3 blossom white CH [SEV]
- 13453 ENA 5 coffee cherry red UL [UL2]
- 13454 ENA 4 ristretto black UL [UL2]
- 13455 ENA 5 blossom white UL [UL2]
- 13456 ENA 5 ristretto black UL [UL2]
- 13466 ENA 3 white JC [UL2]
- 13467 ENA 3 black JC [UL2]
- 13469 ENA 3 white UL [UL2]
- 13470 ENA 3 black UL [UL2]
- 13476 ENA 3 ristretto black [CCC]
- 13477 ENA 5 blossom white [CCC]
- 13482 ENA 5 ristretto black 60Hz [SCHUKO]
- 13482SA ENA 5 ristretto black SA [GB]
- 13483 ENA 5 blossom white 60Hz [SCHUKO]
- 13483SA ENA 5 blossom white SA [GB]
- 13484 ENA 5 coffee cherry red 60Hz [SCHUKO]
- 13484SA ENA 5 coffee cherry red SA [GB]
- 13486 ENA 5 full black EU VG [SCHUKO]
- 13487 ENA 5 full white EU VG [SCHUKO]
- 13502 ENA X1 ristretto black EU VG [SCHUKO]
- 13513 ENA 3 white 60Hz [SCHUKO]
- 13514 ENA 3 black 60Hz [SCHUKO]
- 13515 ENA 5 blossom white [AUS]
- 13516 ENA 5 ristretto black [AUS]
- 13517 ENA 5 coffee cherry red [AUS]
- 19006 ENA 5 speed red CH [SEV]
- 19007 ENA 5 speed red EU [SCHUKO]
- 19008 ENA 5 sports brown CH [SEV]
- 19009 ENA 5 sports brown EU [SCHUKO]
- 19013 ENA 5 speed red RU [SCHUKO]
- 19014 ENA 5 sports brown RU [SCHUKO]
- 13331 ENA 3 blossom white EU VG [SCHUKO]
- 13354 ENA 5 blossom white CH [SEV]
- 13355 ENA 5 blossom white EU VG [SCHUKO]
- 13377 ENA 3 ristretto black CH [SEV]
- 13378 ENA 3 ristretto black EU VG [SCHUKO]
- 13379 ENA 5 espresso brown CH [SEV]
- 13380 ENA 5 espresso brown EU VG [SCHUKO]
- 13381 ENA 5 coffee cherry red CH [SEV]
- 13382 ENA 5 coffee cherry red EU VG [SCHUKO]
- 13383 ENA 5 blue mountain sky CH [SEV]
- 13384 ENA 5 blue mountain sky EU VG [SCHUKO]
- 13385 ENA 5 crema CH [SEV]
- 13386 ENA 5 crema EU VG [SCHUKO]
- 13398 ENA 5 blossom white EU INT [SCHUKO]
- 13399 ENA 5 espresso brown EU INT [SCHUKO]
- 13400 ENA 5 coffee cherry red EU INT [SCHUKO]
- 13401 ENA 5 blue mountain sky EU INT [SCHUKO]
- 13402 ENA 5 crema EU INT [SCHUKO]
- 13403 ENA 3 blossom white EU INT [SCHUKO]
- 13404 ENA 3 ristretto black EU INT [SCHUKO]
- 13408 ENA 5 coffee leaf green CH [SEV]

13409	ENA 5 coffee leaf green EU VG [SCHUKO]
13410	ENA 5 coffee leaf green EU INT [SCHUKO]
13420	ENA 5 coffee cherry red JC [UL2]
13421	ENA 4 ristretto black JC [UL2]
13425	ENA 5 ristretto black CH [SEV]
13426	ENA 5 ristretto black EU VG [SCHUKO]
13427	ENA 5 ristretto black EU INT [SCHUKO]
13441	ENA 5 blossom white JC [UL2]
13442	ENA 5 ristretto black JC [UL2]

The Variant designations mean:

(1) Case components and water tank

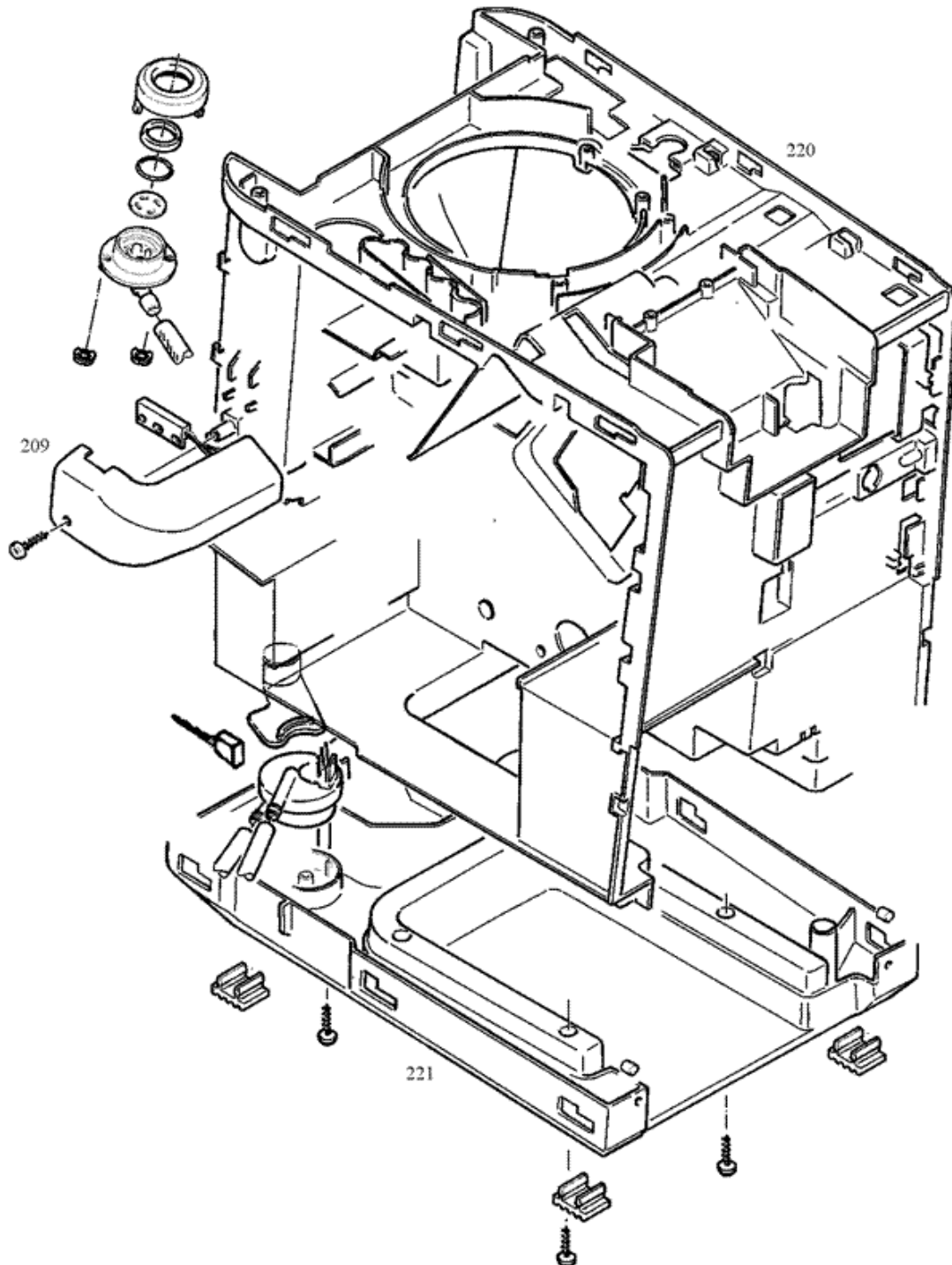
S13330\_01



Pos	Designation	Material	Disassembly	Disposal	Variation	Return
0101	Tank lid platinum	ABS				
0102	Watertank handle	ABS				
0103	Watertank BLUE	Plastic			X	
0103	Watertank cpl	Plastic			X	
0106	Bolt back grey	ABS				
0113	Housing lid platinum	ABS				
0114	Right section leather brown	PC / Leather			X	
0114	Right side section white	PC			X	
0114	Right side section white	ASA			X	
0115	Left section leather brown	PC / Leather			X	
0115	Left side section white	PC			X	
0115	Left side section white	ASA			X	
0116	Bolt right grey	ABS				
0117	Bolt left grey	ABS				

(2) Case components

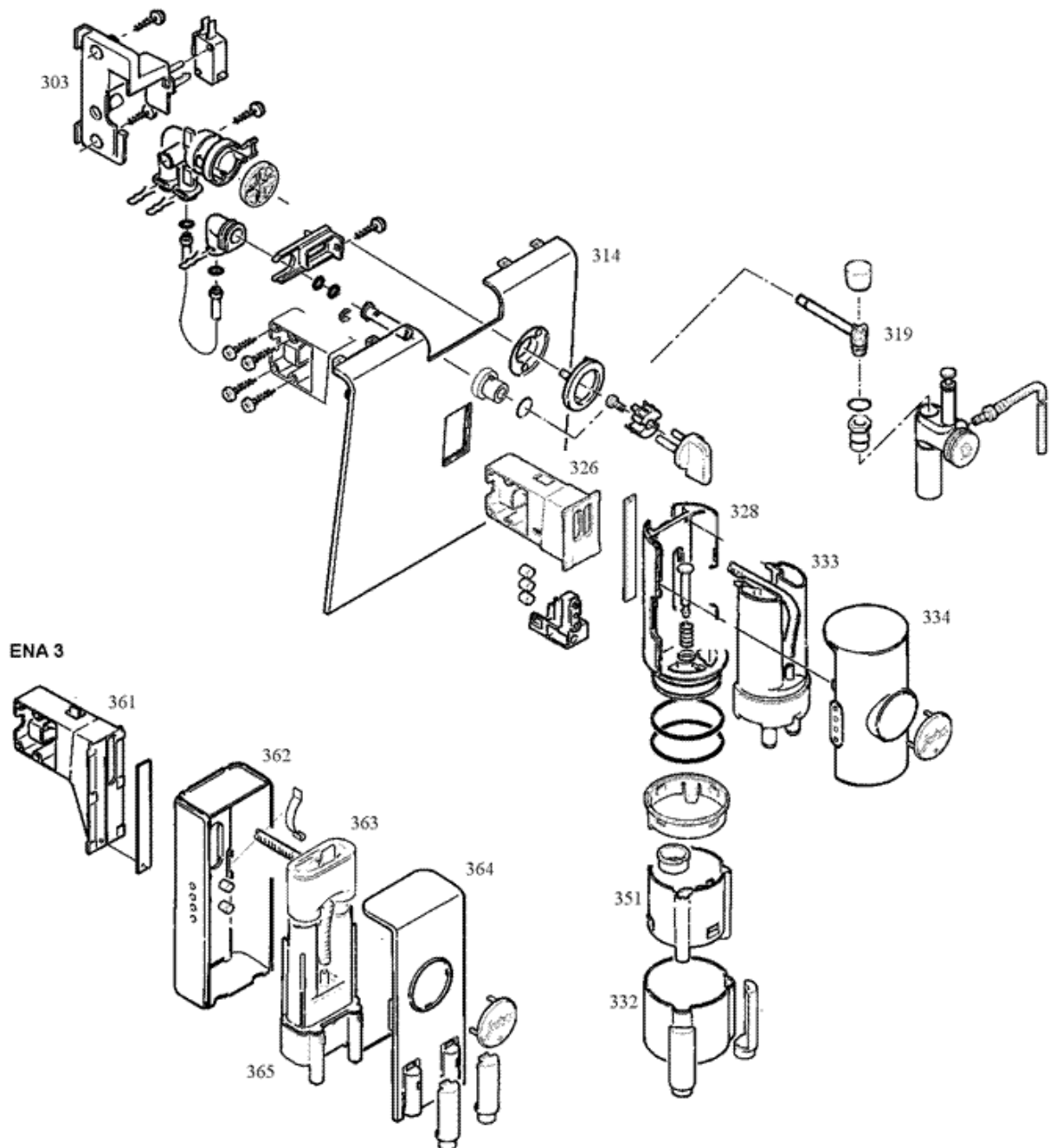
S13330\_02



Pos	Designation	Material	Disassembly	Disposal	Variation	Return
0209	Reed sensor support	ABS				
0220	Components support ENA above	ABS				
0221	Components support ENA bottom	ABS				

(3) Front cover

RP13330\_03

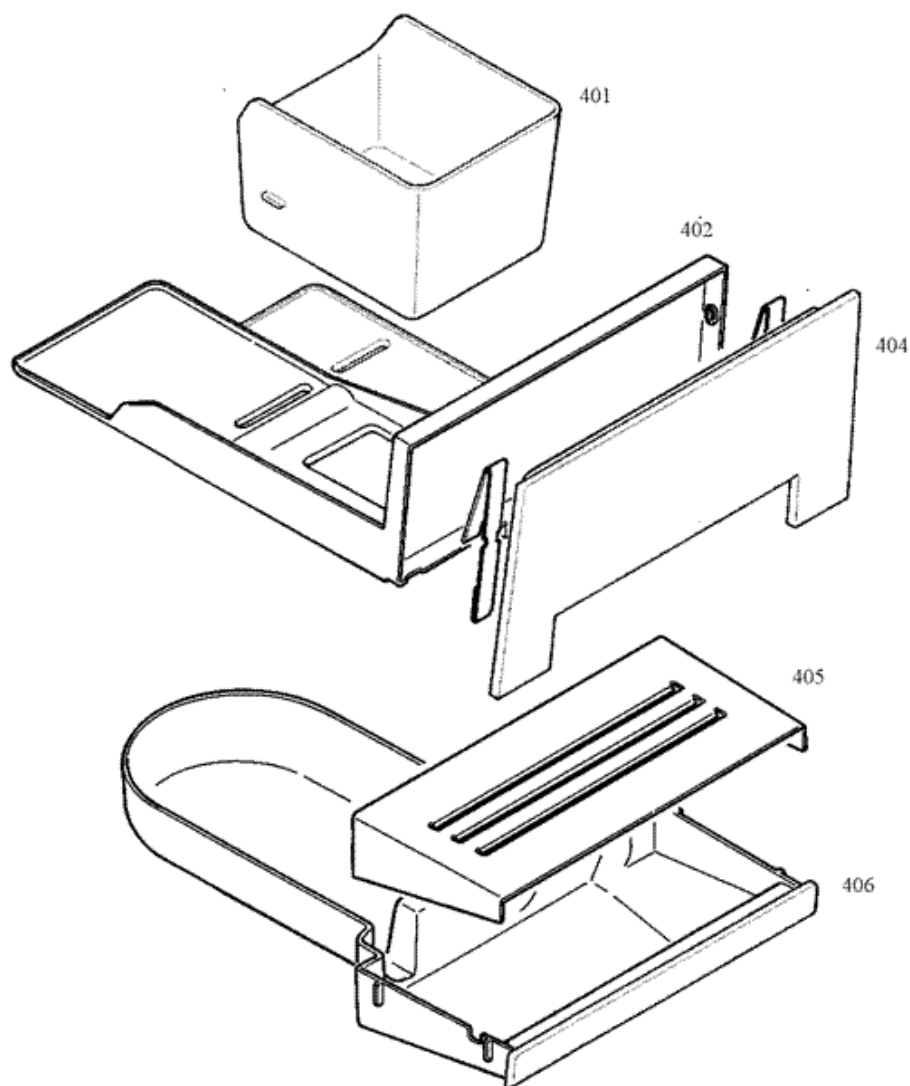


Pos	Designation	Material	Disassembly	Disposal	Variation	Return
0303	Magnetic valve support	ABS				
0314	Front cover	ABS				
0319	Discharge pipe connection	PA				
0326	Guide for outlet gate	PA				
0328	Box for outlet gate	ABS / NBR			X	
0328	Box for outlet gate chromium	ABS / NBR			X	
0332	Outlet gate front chromium	ABS			X	
0332	Outlet gate front platinum	ABS			X	
0333	Dispenser	ABS				
0334	Lid for outlet gate chromium	ABS			X	
0334	Lid for outlet gate	ABS			X	
0351	Dispenser black	POM				
0361	Guide for outlet gate	PA				
0362	Casing white	ASA				
0363	Dispenser assembled	ABS				
0364	Lid for outlet gate	ABS				
0365	Dispenser	ABS				



**(4) Pan**

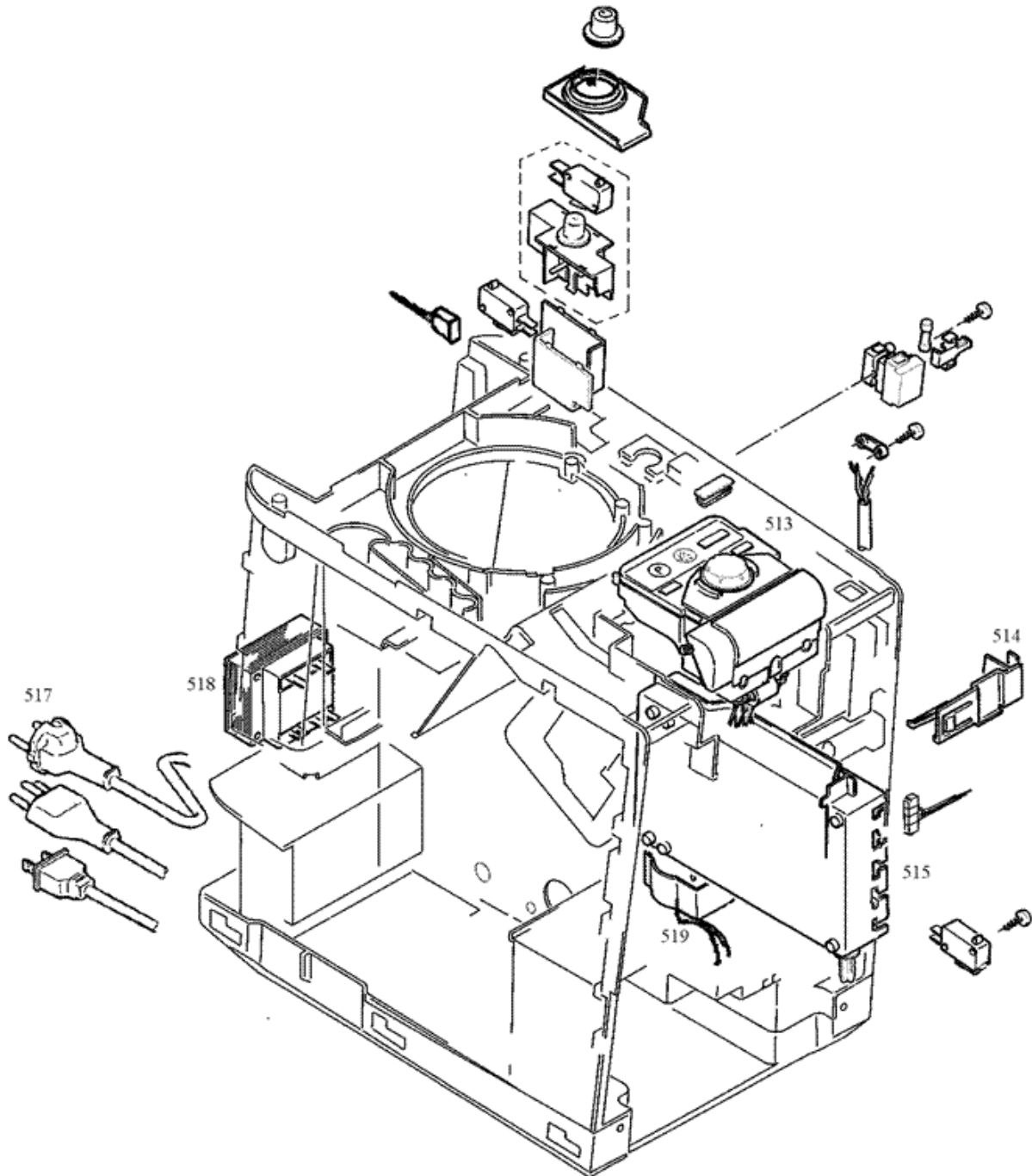
S13330\_04



Pos	Designation	Material	Disassembly	Disposal	Variation	Return
0401	Used ground container black	ABS			x	
0401	Used ground container grey	ABS			x	
0402	Used ground pan grey	ABS				
0404	Used ground pan shield	ABS				
0405	cup grille inox ENA	High-grade steel				
0406	Drain pan grey	ABS				

(5) Printed power circuit and logic

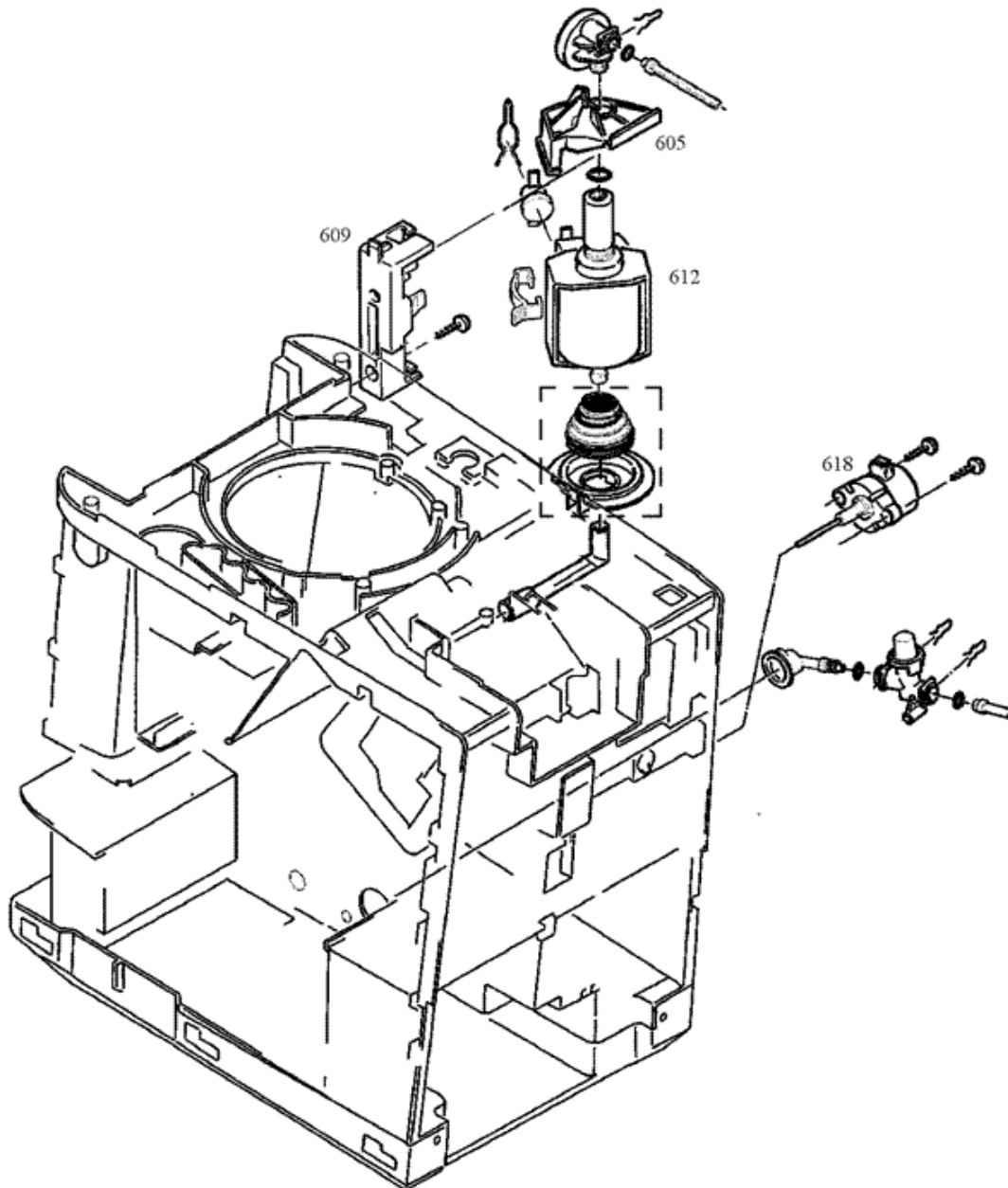
S13330\_05



Pos	Designation	Material	Disassembly	Disposal	Variation	Return
0513	Rotarybox cpl	Electronic				
0514	Bracket	ABS				
0515	Power pcb ENA 120V	Electronic			x	
0515	Electronic box assembled	Electronic			x	
0517	Incoming feeder sw RoHS	Copper / Gum				
0518	Transformer 230V	Electro			x	
0518	Transformer 120V	Electro			x	
0519	Interference eliminator	Electro				

(6) Fluid system

S13330\_06



Pos	Designation	Material	Disassembly	Disposal	Variation	Return
0605	Pump carrier	NBR				
0609	Bracket	ABS				
0612	Pump 110-120V/60Hz	Electro			x	
0612	Pump 230V/50Hz/60W	Electro			x	
0618	Drain motor	Electro				

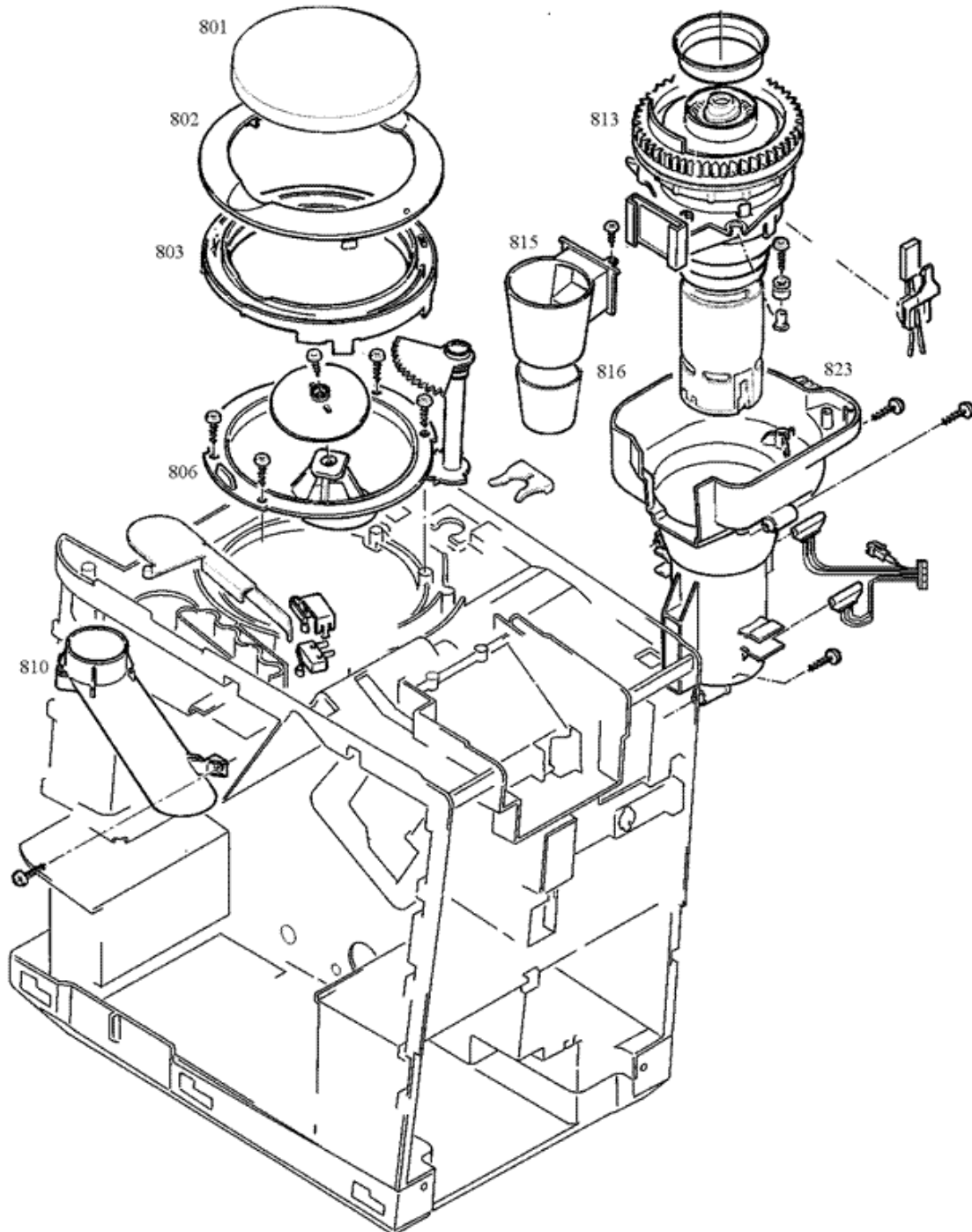


Pos	Designation	Material	Disassembly	Disposal	Variation	Return
0706	Lid TB2003	PA				
0709	Thermoblock sold. nipple 120V	AL / High-grade steel			x	
0709	T-Block sold. nipp. 230V/1400W	AL / High-grade steel			x	
0710	Support TB2003 V3	PA				



(8) Grinder

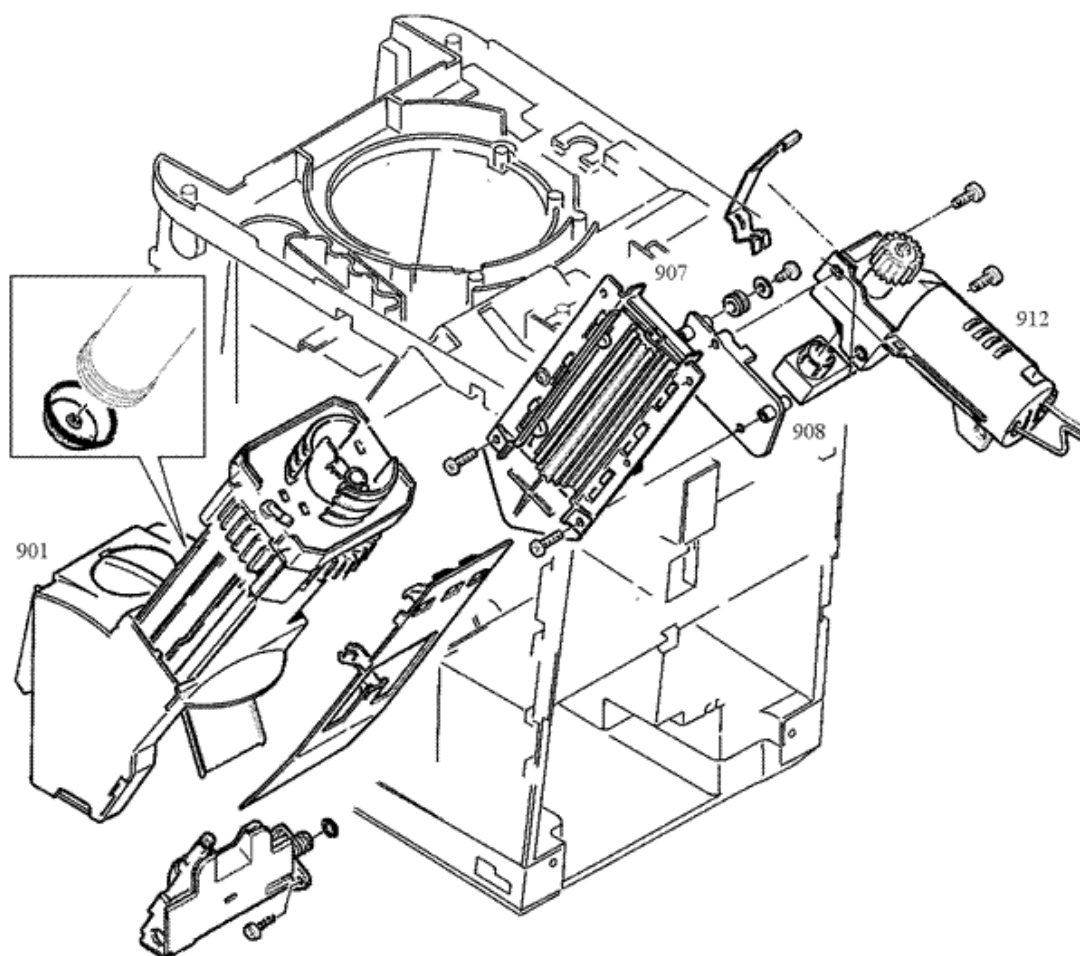
S13330\_08



Pos	Designation	Material	Disassembly	Disposal	Variation	Return
0801	Bean container lid	SMMA / SAN				
0802	Adjustment ring	ABS				
0803	Suspension	PA				
0806	Bean container	PP				
0810	Powder funnel	ABS				
0813	Grinder unit 230V "choke"	Elektro / ABS / POM / PA / NBR / Steel / Messing			x	
0813	Grinder unit F 120V	Elektro / ABS / POM / PA / NBR / Steel / Messing			x	
0815	Funnel black V2	ABS				
0816	Funnel	PP				
0823	Grinder support	PC				

### (9) Brew unit

S13330\_09



Pos	Designation	Material	Disassembly	Disposal	Variation	Return
0901	Brew unit assembled	PA / POM / NBR / Silicone / Steel				
0907	Guide assembled quiet	AL / POM				
0908	Plate	AL				
0912	Geared motor	Electro / Messing / POM				