

Saeco SUP038 - SUP038Z
INTERNATIONAL GROUP



Cod.10003050-51-52-53-3250-51-52
Cod.10003278-79-3314-3450-70-71

POS	CODE	DESCRIPTION	NOTE	
01	15002162	MANUAL SAE V2 SUP038 MYB9/H D/I		
	15002163	MANUAL SAE V2 SUP038 MYB9/H GB/F		
	15002164	MANUAL SAE V2 SUP038 MYB9/H E/P		
	15002165	MANUAL SAE V2 SUP038 MYB9/H NL/PL		
	15002166	MANUAL SAE V2 SUP038 MYB9/H CHN		
	15001810	MANUAL SAE SUP038Z MYB9/T D/I	ID	
	15001811	MANUAL SAE SUP038Z MYB9/T GB/F	ID	
	15001812	MANUAL SAE SUP038Z MYB9/T E/P	ID	
	15001813	MANUAL SAE SUP038Z MYB9/T NL/PL	ID	
	02	146680850	BLACK COFFEE MEASURE SMART	
03	127390100	BRUSH FOR CLEANING		
04	11005044	SAECO KLUBER TRIBOSTAR SIL 2 TUBE 5GR.		
	21001404	ACC SAE BRITA WATER FILTER 1 UNIT EUR-ASIA		
06	21001120	ACC SAE BRITA WATER FILTER 1 UNIT AMERICA		
	0301.961	STICKER FOR WATER HARDNESS TEST		
07	183911050	BLACK POWER CABLE SCHUKO L=1200		
	183930650	PO.CABL.CH BLACK 3X1 H05VV-F L=1200		
	183921950	POWER CABLE SJT3 USA BLACK UL L=1200		
	183940650	BLACK POWER CABLE AUSTRALIA L=1200		
	11001985	BLACK POWER CABLE KOREA 3X1 L=1200		
	11004246	BLACK POWER CABLE TAIWAN HVCTF L=1200		
	11004247	BLACK POWER CABLE RVV 3X1 CHINA L=1200		
	17800024	BLACK POWER CABLE JAPPON VCTF L=1200		
	08	13001097	BAND FOR LIFTING L=1800 H=300 MM MYB9	
	09	13000922	PS-E RIGHT INSERT FOR BOX MYB9/H-P	
10	13000921	PS-E LEFT INSERT FOR BOX MYB9/H-P		
11	13000920	DISPLAY BOX MYB9/H SAECO XELSIS SS		
	13001110	DISPLAY BOX MYB9/H SAECO XELSIS CLASS		
	13001112	DISPLAY BOX MYB9/T SAE XELSIS ID SS	ID	
12	12000450	SCREW TCBR TORX 10 3.5X12 PLAST.ZN-N		
	11013210	SB/SS GROUND CONT.DOOR COVER MYB9 AS.		
14	11023203	SM/SS GROUND CONT.DOOR COVER S/SS MYB9 ASSY	ID	
	11013148	SB/SS WATER CONT.DOOR COVER MYB9 AS.		
	11013284	BLACK WATER CONT.DOOR COVER MYB9 AS.		
	11013302	WHITE WATER CONT.DOOR COVER MYB9 AS.		
	11023196	SM/SS WATER CONTAIN.DOOR COVER MYB9 ASSY	ID	
15	11013167	SB/SS LEFT SIDE PANEL MYB9/T-H ASSY.		
	11013272	BLACK LEFT SIDE PANEL MYB9/T-H ASSY.		
	11013295	WHITE LEFT SIDE PANEL MYB9/T-H ASSY.		
	11023192	SM/SS LEFT SIDE PANEL MYB9/T-H ASSY.	ID	
	11022426	SS SPRING FOR WATER CONT. LEVER MYB9		
17	12001263	BLACK PUSH-PUSH MYB90		
18	11022425	YELLOW LEVER FOR WATER CONT.S/SC.MYB9		
19	11012859	SB/SS CUP WARMING LID MYB9		
	17000071	UP TO S/N. 9010SA40026758 SB/SS CUP WARMING LID MYB9 ASSY. FROM S/N.9010SA40026759		

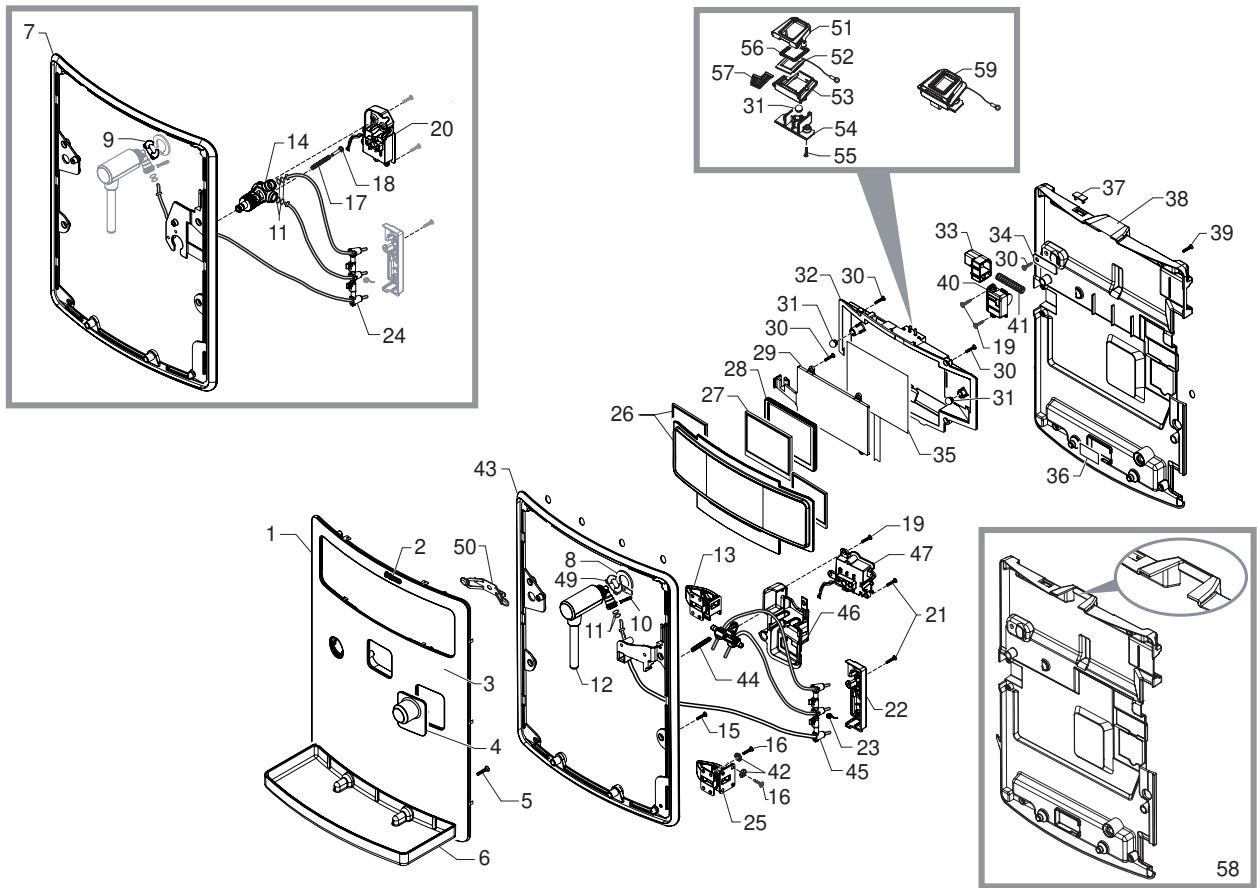
POS	CODE	DESCRIPTION	NOTE
19	11004244	SM/SS CUP WARMING LID MYB9 ASSY.	ID
20	11013149	SB/SS BEAN CONTAIN.DOOR COVER MYB9 AS.	
	11013287	BLACK BEAN CONT.DOOR COVER MYB9 AS.	
	11013304	WHITE BEAN CONT.DOOR COVER MYB9 AS.	
21	11023198	SM/SS BEAN CONTAIN.DOOR COVER MYB9 ASSY	ID
	12001330	TRANSPAR.ROUND ADHESIVE FOOT SJ-5382	
22	11022809	SB/SS REAR COVER CASING INS.MYB9 ASSY.	
	11022821	BLACK REAR COVER CASING INS.MYB9 ASSY.	
23	11022820	WHITE REAR COVER CASING INS.MYB9 ASSY.	
	11023105	SM/SS REAR COVER CASING INSERT MYB9 ASSY.	ID
24	17000205	BLACK COVER CASING W/PROTECT.V2 MYB9/T-H	
	11000651	WATER LEVEL SENSOR BOARD P124	
25	11014017	BLACK HORIZONTAL MOUNT. PLATE MYB9 AS	
26	11012018	PWR BOARD MYB9	230V
	11021342	PWR BOARD MYB9	100V-120V
27	11012035	BLACK PWR BOARD COVER MYB9	
28	11013065	BLACK REAR PANEL WHIT LOGO SAECO MYB9	
29	11023304	INSULATE SHEET PWR ELECT.BOARD MYB9	(ONLY FOR 120V)
30	11013166	SB/SS RIGHT SIDE PANEL MYB9/T-H ASSY.	
	11013259	BLACK RIGHT SIDE PANEL MYB9/T-H ASSY.	
31	11013293	WHITE RIGHT SIDE PANEL MYB9/T-H ASSY.	
	11023191	SM/SS RIGHT SIDE PANEL MYB9/T-H ASSY.	ID
32	11022805	SB/SS FRONT COVER CASING INS.MYB9/H AS.	
	11022807	BLACK FRONT COVER CASING INS.MYB9/H AS.	
	11022806	WHITE FRONT COVER CASING INS.MYB9/H AS.	
	11013170	BLACK STEEL CASING MYB9 ASSY.	
33	11021769	BLACK RIGID FOOT FIXING PIN MYB9	
34	11021829	BLACK/WHITE RIGID FOOT MYB9	
35	11022527	BLACK DUMP BOX PROTECTION MYB9	
36	11013595	BLACK DUMP BOX MYB9 ASSY.	
37	11022169	BLK DRIP TRAY COFF.BREW UNIT COVER MYB9	
38	11012777	BLACK DRIP TRAY COFFEE BREW UNIT MYB9	
39	11013128	40POLES FLAT CABLE BOARDS LINK MYB9 UL	
40	11013806	BLACK FLAT-CABLE COVER MYB9	
41	WGA4316031000	ADESIVE HEATING-ELEMENT	230V
	11000791	ADESIVE HEATING-ELEMENT	100V-120V
42	11008844	2POLES CONN.SUPPLY CUPWARMING G0053UL	
43	17000007	INSULATE SHEET COMPONENTS SUPPORT	(ONLY FOR 120V)
44	13001231	PS-E INSERT FOR BOX MYB9	(ONLY XELSIS)
45	11022804	SM/SS FRONT COVER CASING INS.MYB9/T ASSY	ID

Saeco
INTERNATIONAL GROUP

XELSIS - XELSIS ID

Rev. 03 - 03/05/10

TAVOLA 1/8



Saeco SUP038 - SUP038Z
INTERNATIONAL GROUP



Cod.10003050-51-52-53-3250-51-52
Cod.10003278-79-3314-3450-70-71

POS	CODE	DESCRIPTION	NOTE
01	11022728	SB/SS FRONTAL PANEL MYB9 ASSY. UP TO S/N.9009SA40298916	
	11023318	SB/SS FRONTAL PANEL V2 MYB9 ASSY. FROM S/N.9009SA40298917	
	11013277	BLACK FRONT PANEL N/S/SCREEN MYB9 ASSY. UP TO S/N.9009SA40298916	
	11023522	BLACK FRONTAL PANEL V2 S/SCREEN MYB9 ASSY. FROM S/N.9009SA40298917	
	11013298	WHITE FRONT PANEL N/S/SCREEN MYB9 ASSY. UP TO S/N.9009SA40298916	
	11023523	WHITE FRONTAL PANEL V2 S/SCREEN MYB9 ASSY. FROM S/N.9009SA40298917	
	11023319	SM/SS FRONTAL PANEL V2 MYB9 ASSY.	ID
02	11011406	ADHES.SILVER PLATE LOGO SAECO P0057	
03	11022725	ADHES.SILVER PLATE LOGO XELSIS	
04	11021449	CHROM.CONNECT.CAP FOR CARAFE MYB9 ASSY. UP TO S/N.9009SA40298916	
	11024247	CHROMED CONN.CAP FOR CARAFE V2 MYB9 ASSY. FROM S/N. 9009SA40298917	
05	12001369	SCREW TSP TORX 10 5X35 PLAST.SS	
06	11012831	BLACK DRIP TRAY SUPPORT MYB9/H-P	ID
	11022386	BLACK DRIP TRAY SUPPORT MYB9/T	
07	11013143	CHROMED ZAMA FRONT FRAME MYB9 UP TO S/N.9009SA40298916	
08	11001624	STEAM TUBE WASHER P0049	
09	NF11.084	FOLK SPRING UP TO S/N.9010SA40036480	
10	9011.144	SS FORK FOR TUBE D.4	
11	140328059	OR 2015 IN SILICONE PTFE/FDA UP TO S/N.9009SA40298916	
12	11013244	TF/CHROM.STEAM TUBE MYB9 ASSY.	
13	11013215	DOOR UPPER HINGE MYB9	
14	11022860	BLACK CONNECTOR V2 FOR CARAFE MYB9 UP TO S/N.9009SA40298916	
15	12001430	SCREW TCB TORX 20 4X10 PLAST.SS	
16	129573221	SCREW TCB PH/TT 4X8 UNI 8112 SS	
17	11022870	STEEL SPRING FOR CARAFE CONNECT. MYB9 UP TO S/N.9009SA40298916	
18	11022853	BRASS INSE. FOR SPRING CARAFE CON.MYB9 UP TO S/N.9009SA40298916	
19	12000450	SCREW TCB TORX 10 3.5X12 PLAST.ZN-N	
20	11014015	BLK CARAFFE BOARD SUPPORT GEN.MYB9 ASSY. UP TO S/N.9009SA40298916	
21	12001431	SCREW TCB TORX 10 3X12 PLAST.SS	
22	11013784	BLACK TEFLON TUBES SUPP. COVER MYB9	
23	11013785	TEFLON TUBES SUPPORT SPRING MYB9	
24	11021692	PREFORMED TEFLON TUBES SUPPORT MYB9 ASSY	
25	11013216	DOOR LOWER HINGE MYB9 UP TO S/N.9009SA40298916	

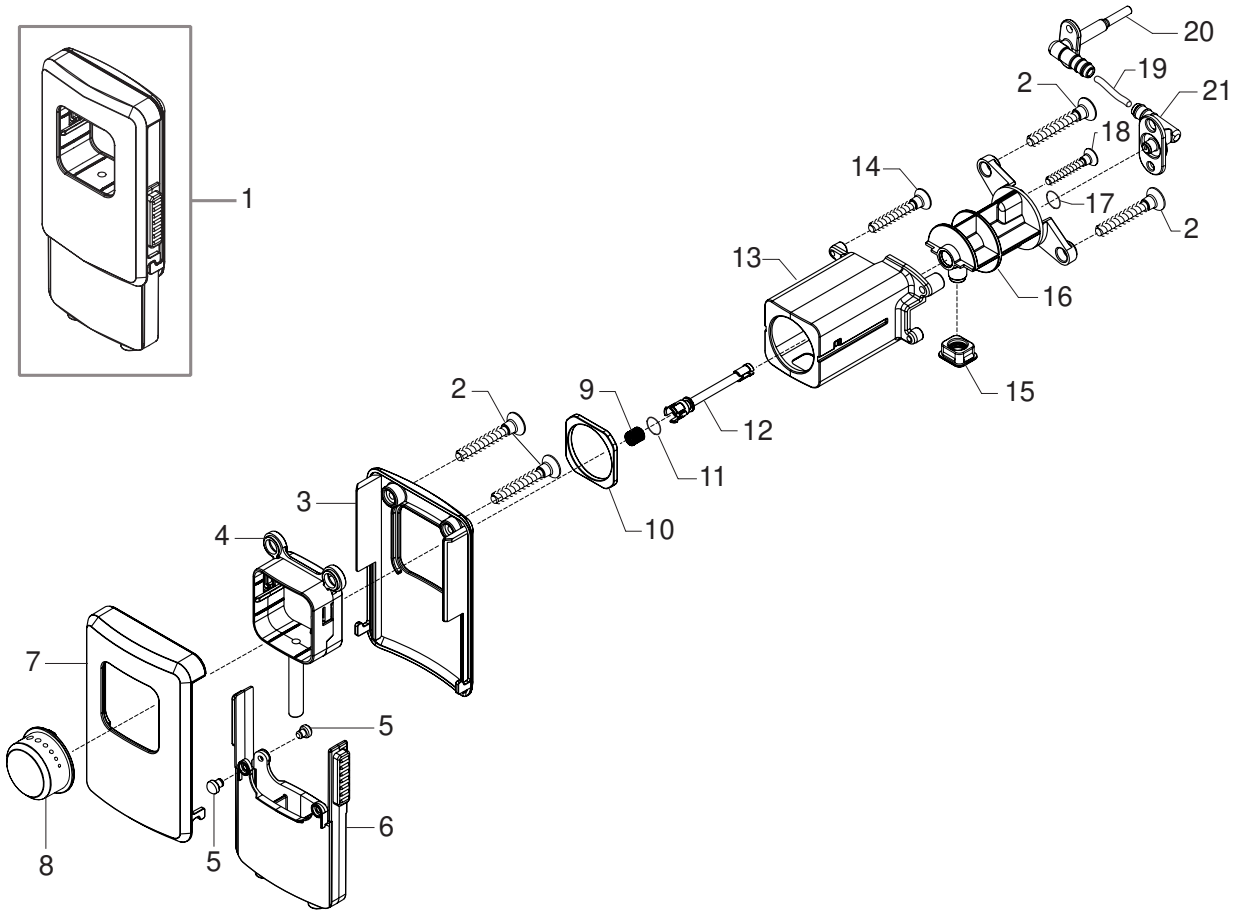
POS	CODE	DESCRIPTION	NOTE
26	20006820	KIT SPARES BLACK FRONT PANEL DISPLAY MYB9/T-H	COMPLETE
27	12001261	DISPLAY 320x240 NO TOUCH BRIGHTN.+MYB9	
28	11013226	BLACK DISPLAY SEAL MYB9/T-H	
29	11012889	BLACK DISPLAY SUPPORT MYB9/T-H	
30	129913202	SCREW TCB TORX 10 3X8 PLAST.ZN-B	
31	149450588	65SH SILICONE BOILER SEALING VALVE	
32	11012377	BLACK CPU BOARD COVER MYB9/T-H UP TO S/N.9009SA40298916	
	17000014	BLACK CPU BOARD COVER V2 MYB9/T-H FROM S/N.9009SA40298917	
33	11014215	BLACK BUTTON FOR DOOR RELEASE MYB9	
34	11021976	GALV.PLATE FOR DOOR CLOSURE MYB9	
35	11013196	CPU+SW MYB9/T-H ASSY.	
36	11000651	WATER LEVEL SENSOR BOARD P124	
37	11001339	TRANSPARENT INFRAREDS PLATE P0049	
38	11022583	BLK INSIDE COVER FRON.PANEL S/SCR.MYB9/H UP TO S/N.9009SA40298916	
	17000021	BLK INSIDE COVER FRON.PANEL V2 S/S.MYB9H FROM S/N.9009SA40298917	
39	129912521	SCREW TCB TORX 10 3.5X14 PLAST.SS	
40	11014218	BLACK COVER BUTT. FOR DOOR RELEA.MYB9	
41	11021747	SPRING FOR DOOR RELEASE BUTTON MYB9	
42	128310402	GALV.WASHER UNI 8842 A4	
43	11023393	CHROMED ZAMA FRONT FRAME V2 MYB9 FROM S/N.9009SA40298917	
44	17000006	TWO WAY TEFLON TUBES SUPPORT SPRING MY FROM S/N.9009SA40298917	
45	11023352	WHT PREFORM.TEFLON TUBES SUPP.MYB9 ASSY FROM S/N.9009SA40298917	
46	11023251	BLACK DISPLAY INSERT V2 GMYB FROM S/N.9009SA40298917	
47	11023423	BLK CARAFFE BOARD SUPP.GEN.V2 MYB9 ASSY. FROM S/N.9009SA40298917	
48	12001330	TRANSPAR.ROUND ADHESIVE FOOT SJ-5382	
49	17000043	FOLK SPRING MYB9 ASSY. FROM S/N. 9010SA40036481	
50	11006740	BRONZE SPRING FOR FRONT CASING G0053 FROM S/N. 9010SA40036481	
51	11012830	BLACK FINGER PRINT COVER MYB9/T	ID
52		PARTICULAR NOT AVAILABLE	ID (SEE PART.N°59)
53	17000074	BLK LOWER FINGERPRINT V2 SENSOR SEAL MYB9/T	ID
54	11013309	BLACK FINGER PRINT SUPPORT MYB9/T	ID
55	129913702	SCREW TCB TORX10 2.5X8 PLAST.ZN-B	ID
56	17000035	BLACK V2 FINGERPRINT SENSOR SEAL MYB9/T	ID
57		PARTICULAR NOT AVAILABLE	ID (SEE PART.N°59)
58	17000022	BLK INSIDE COVER FRON.PANEL V2 S/S.MYB9T	ID
59	20006871	KIT SPARES FINGERPRINT SENSOR MYB9/T WITH PART. N°31-51-52-53-54-55-56-57	ID

Saeco
INTERNATIONAL GROUP

XELSIS - XELSIS ID

Rev. 03 - 03/05/10

TAVOLA 2/8

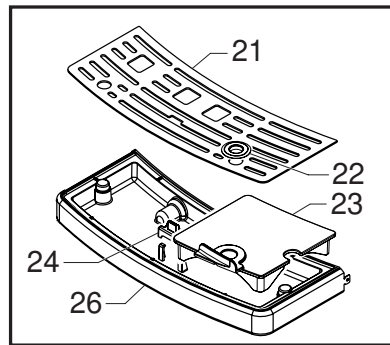
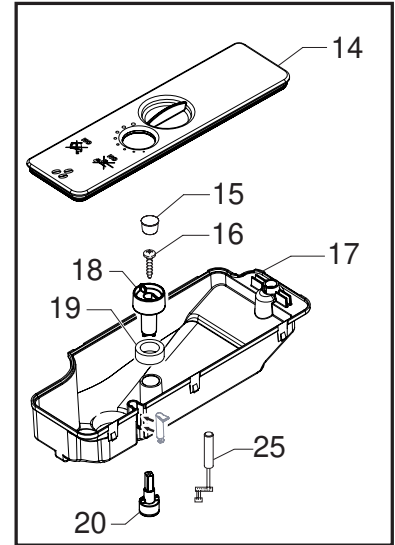
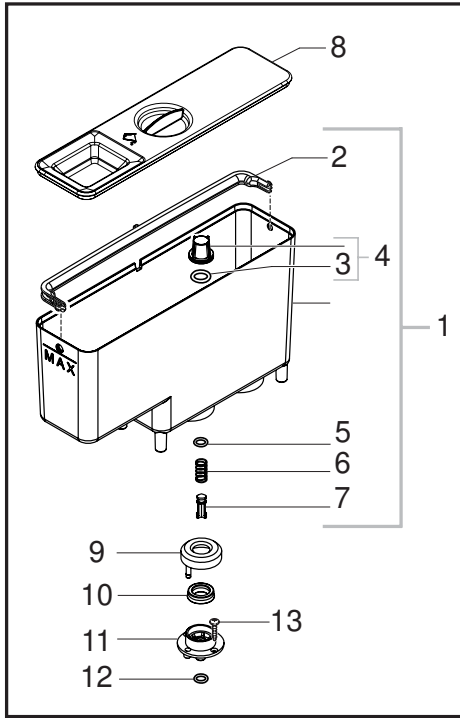


Saeco SUP038 - SUP038Z
INTERNATIONAL GROUP



Cod.10003050-51-52-53-3250-51-52
Cod.10003278-79-3314-3450-70-71

POS	CODE	DESCRIPTION	NOTE	POS	CODE	DESCRIPTION	NOTE
01	11013182	CHROM.COFFEE DISPENSER MYB9 ASSY. WITH PART. N° 02 - 03 - 04 - 05 - 06 - 07					
02	129570721	SCREW TCB TORX 10 M3X8 AUTOFORMING SS					
03	11013001	BLACK REAR COVER COFF. DISPENSER MYB9					
04	11013003	BLACK INNER BODY COFFEE DISPENS.MYB9					
05	11013085	WHITE COFFEE DISPENSER SLIDER MYB9					
06	11013002	BLACK COF.DISPENS. EXT.MOBILE PART MYB9					
07	11013222	CHROM.FRONT COFF. DISPENS. COVER MYB9					
08	11022128	CHROMED CREAM ADJUST.KNOB S/SCR.MYB9					
09	126772518	SS.SPRING FOR COF.CREAM ADJUSTM.SHAFT					
10	11013324	BLACK CREAM ADJUSTM. KNOB RING MYB9					
11	140326661	BLACK OR METRIC 0040-20 IN EPDM					
12	140640200	WHITE COFFEE CREAM ADJUSTMENT SHAFT					
13	11013323	CHROM.COFFEE DISPENSER SUPPORT MYB9					
14	12000897	SCREW TCB TORX 10 3,5X20 PLAST.SS					
15	11013072	BLACK SEAL FOR COFFEE DISPENSER MYB9					
16	11013013	BLACK COFFEE DISPENSER TUBE MYB9					
17	12000070	OR METRIC 0060-15 IN SILICONE					
18	12000450	SCREW TCB TORX 10 3,5X12 PLAST.ZN-N					
19	149360200	SILICONE TUBE 5X8 70SR IN ROLL					
20	11013364	BLACK DISPENSER COFF.INLET CONN.MYB9					
21	11012926	BLACK COFFEE DISPENSER CONNECT. MYB9					

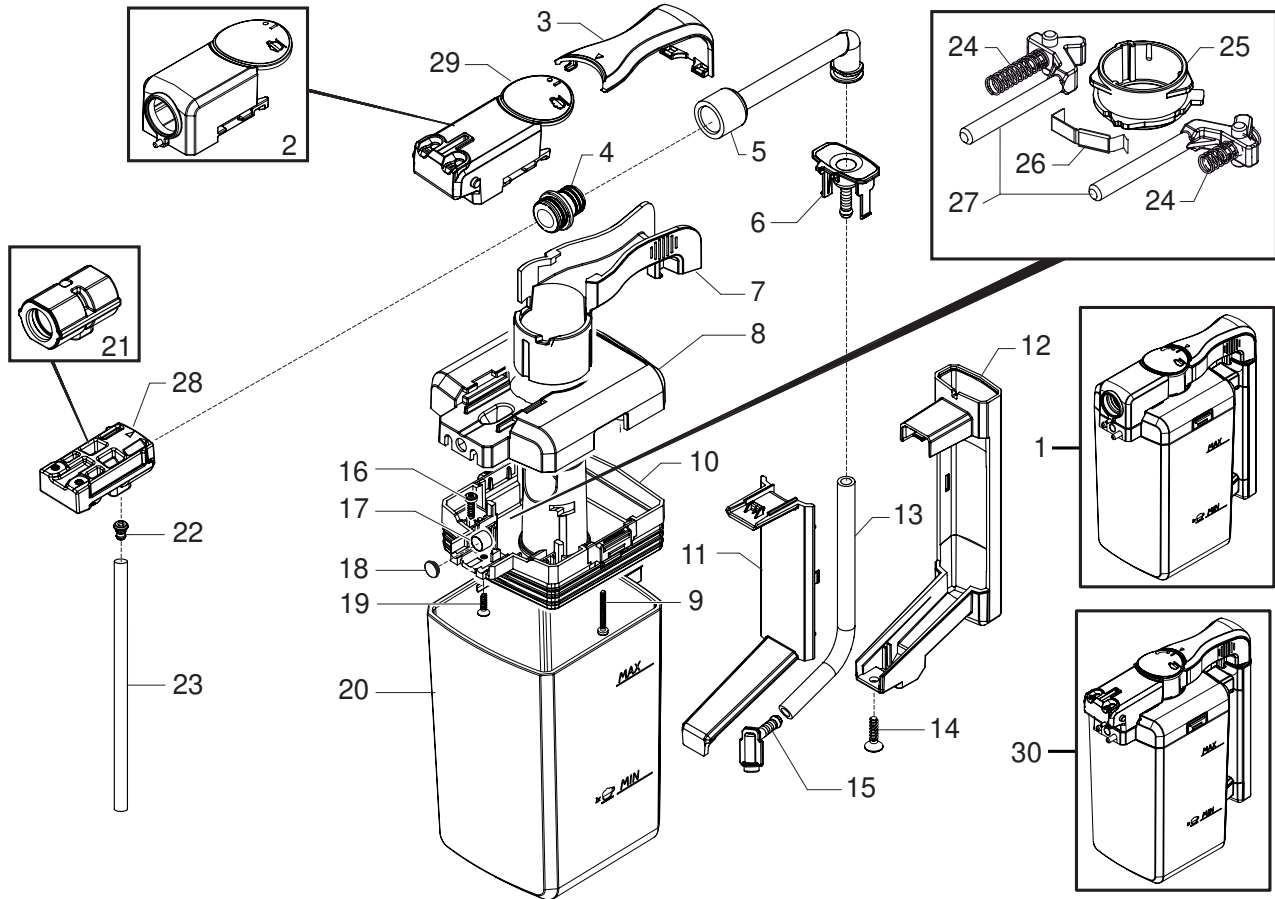


Saeco SUP038 - SUP038Z
INTERNATIONAL GROUP



Cod.10003050-51-52-53-3250-51-52
Cod.10003278-79-3314-3450-70-71

POS	CODE	DESCRIPTION	NOTE	POS	CODE	DESCRIPTION	NOTE
01	11013212	NATURAL/GREY WATER CONTAINER MYB9 AS.					
02	11012738	BLACK HANDLE WATER CONTAINER LID MYB9					
03	140328461	EPDM OR METRIC 0190-10					
04	224640200	EXTERNAL FILTER FOR WATER CONTAIN. AS.					
05	140324362	OR METRIC 0060-30 IN SILICONE					
06	126764718	SPRING FOR WATER CONTAINER VALVE					
07	147660562	GREY WATER VALVE CONTAINER PISTON					
08	11022127	NAT/GREY WATER CONTAIN. LID S/SCR.MYB9					
09	0701.031.150	SEAL COVER GREY					
10	145842900	WATER CONTAIN.VALVE SEAL GACO DIM14					
11	0701.014.150	SEAL CONTAINER GREY					
12	140320461	OR ORM 0080-20 IN TERMOIL					
13	129535721	SCREW TSP TORX 10 3,5X9,5 SHEET SS					
14	20006842	SPARES KIT BEAN COFFEE CONT.LID V2 MYB9					
	17000202	NAT/GREY BEAN COFF.CONT.LID V2 MYB9 ASSY					
		FROM S/N.9010SA40120165					
		FROM S/N.9010SA40120166					
15	149213059	GREY CAP FOR KNOBS BEAN CONTAINER					
16	129913902	SCREW TCB TORX 10 3X12 PLAST.ZN-B					
17	20006843	SPARES KIT BEAN COFFEE CONTAINER V2 MYB9					
	17000194	BLACK BEAN CONTAINER V2 MYB9					
		FROM S/N.9010SA40120165					
		FROM S/N.9010SA40120166					
18	11012852	BLACK GRIND.ADJUSTMENT KNOB MBY9					
19	11022528	WASHER FOR GRIND.ADJUSTM. KNOB MBY9					
20	145897300	INSERT GRINDING ADJUSTM.KNOB SMART					
21	11022803	SS DRIP TRAY GRATE V2 MYB9/H-P					
	11022385	SS DRIP TRAY GRATE MYB9/T	ID				
22	17000147	BLACK GRATE SEAL V3 MYB9/H-P					
23	11022802	BLACK DRIP TRAY COVER V2 MYB9/H-P					
	11022384	BLACK DRIP TRAY COVER MYB9/T	ID				
24	11005388	RED FLOAT FOR DRIP TRAY P124					
	17000001	RED FLOAT FOR DRIP TRAY MDS	ID				
25	17800061	POLES CONNECTOR MC SENSORS V2 MYB9 UL					
26	11013214	SB/SS-BLACK DRIP TRAY MYB9/H-P ASSY.					
	11013281	BLACK/BLACK DRIP TRAY MYB9/H-P ASSY.					
	11013300	WHITE/BLACK DRIP TRAY MYB9/H-P ASSY.					
	11022389	SM/SS-BLACK DRIP TRAY MYB9/T ASSY.	ID				

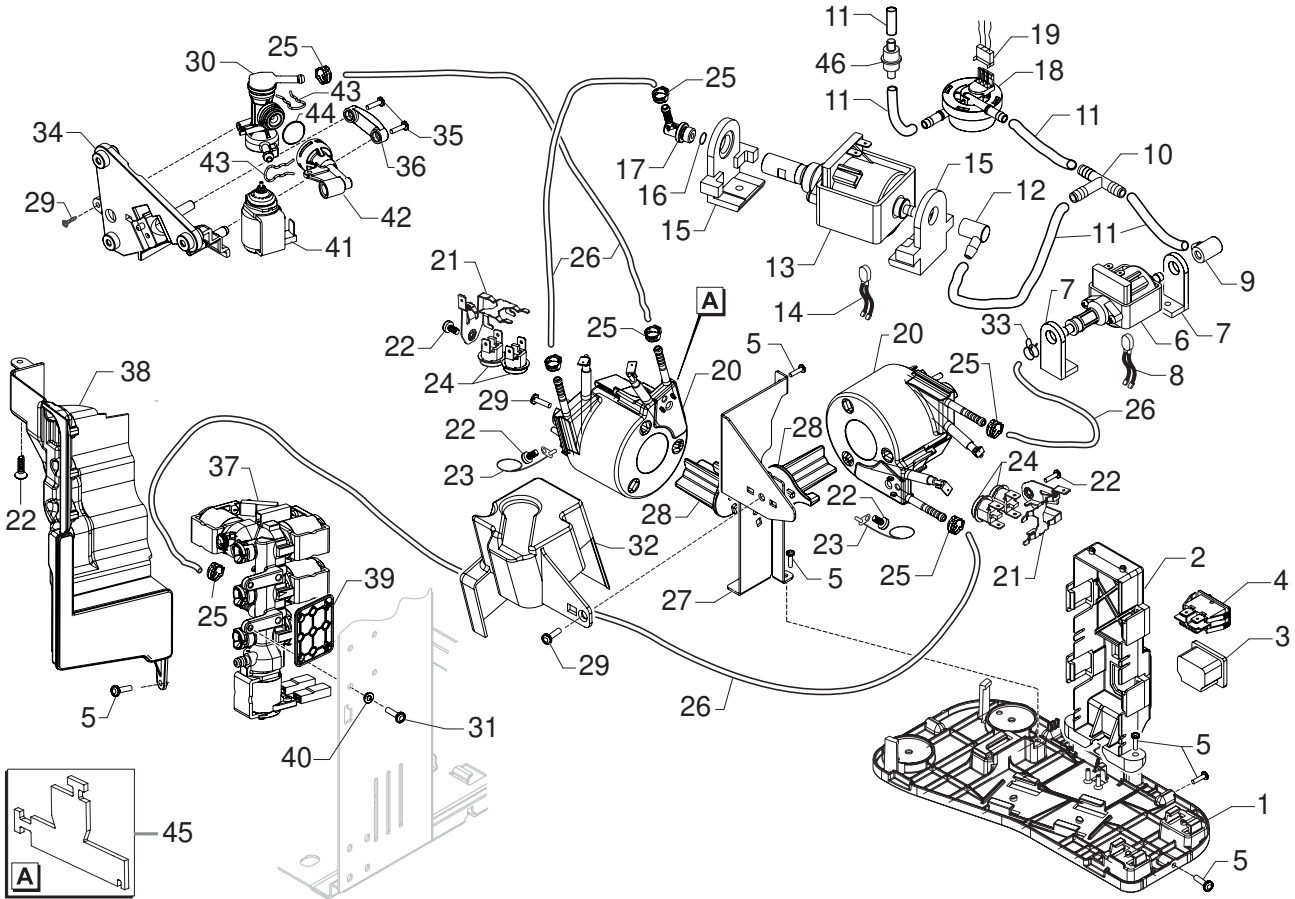


Saeco SUP038 - SUP038Z
INTERNATIONAL GROUP



Cod.10003050-51-52-53-3250-51-52
Cod.10003278-79-3314-3450-70-71

POS	CODE	DESCRIPTION	NOTE	POS	CODE	DESCRIPTION	NOTE
01	11012845	TRANSPAR/BLACK GENERAL CARAFE MYB9 ASSY. UP TO S/N.9009SA40298916					
02	11021984	CHROM.CARAFE CAPP.COVER S/SC.MYB9 ASSY. UP TO S/N.9009SA40298916					
03	11022498	CHR.UPPER CARAFE SUPP. V2 S/SCR.MYB9					
04	11012812	VENTURI TUBE FOR CAPPUCINATORE MYB9					
05	11012678	BLACK CARAFE MILK DISPENSER TUBE MYB9					
06	11013163	BLACK UPPER TUBE CARAFE CONNECT.MYB9					
07	11022496	CHROM.LOWER CARAFE SUPPORT V2 MYB9					
08	11012816	BLACK UPPER COVER PART CARAFE MYB9					
09	12000550	SCREW TCB TORX 10 3X25 PLAST.SS					
10	11021893	BLACK LOWER COV. PART CARAFE MYB9 AS.					
11	11013466	CHROMED REAR PART HILT CARAFE MYB9					
12	11023158	CHROMED FRONT PART HILT CARAFE V2 MYB9					
13	149360200	SILICONE TUBE 5X8 70SR IN ROLL					
14	129911721	SCREW TSP TORX 4X16 PLAST STEEL					
15	11013164	BLACK LOWER TUBE CARAFE CONNEC.MYB9					
16	129910921	SCREW TCB TORX 10 3X10 SS					
17	9161.111	MAGNET FOR FLOAT SUPERAUTOM.					
18	11014016	SS.INSERT FOR MAGNET MYB9					
19	12000895	SCREW TSP TORX 10 3X10 PLAST.SS					
20	11024104	TRANSP.CARAFE V3 S/SCREEN MYB9					
21	11012677	BLACK CARAFE CAPPUCINATORE CASING MYB UP TO S/N.9009SA40298916					
22	11012813	BLACK MILK TUBE CONNECTOR MYB9					
23	149360400	TRANSPARENT SILCONE TUBE 3.5X6 IN ROLL					
24	11013765	STEEL SPRING FOR CARAFE LEVER MYB9					
25	11022522	BLACK CAM FOR CARAFE LEVERS V2 MYB9					
26	11013832	CARAFE SPRING WITH INSERT MYB9 ASSY.					
27	11012818	BLACK LEVER FOR CARAFE CAM MYB9					
28	11023232	BLK CARAFE CAPPUCINATORE CASING V2 MYB FROM S/N.9009SA40298917					
29	11023235	CHR.CARAFE CAPP.COVER V2 S/SC.MYB9 ASSY. FROM S/N.9009SA40298917					
30	11023236	TRANSP/BLACK GENERAL CARAFE V3 MYB9 ASSY FROM S/N.9009SA40298917					

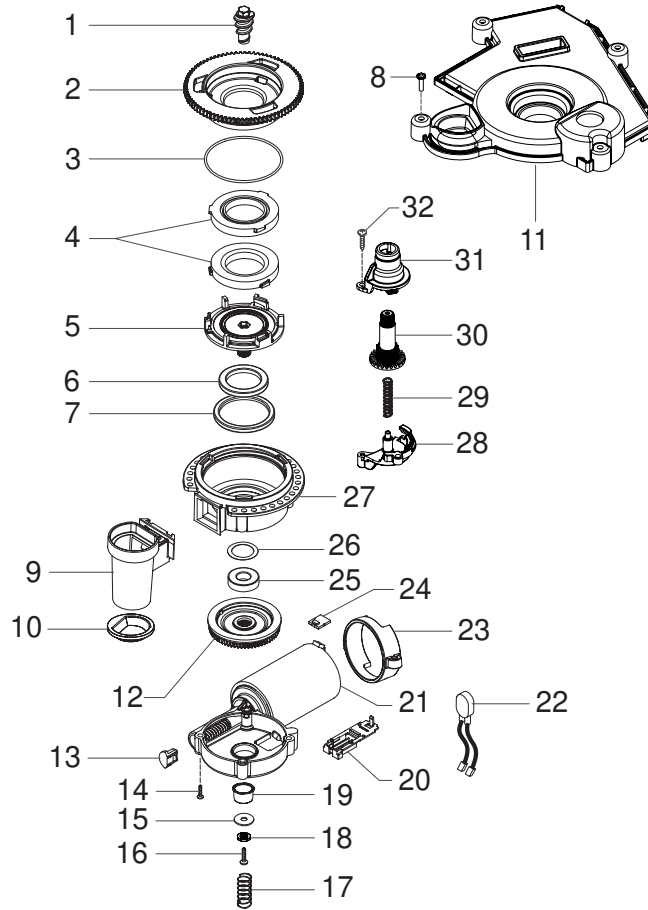


Saeco SUP038 - SUP038Z
INTERNATIONAL GROUP



Cod.10003050-51-52-53-3250-51-52
Cod.10003278-79-3314-3450-70-71

POS	CODE	DESCRIPTION	NOTE	POS	CODE	DESCRIPTION	NOTE
01	11012205	BLACK COMPONENTS SUPPORT MYB9		29	12001280	SCREW TSP TORX 10 5X20 PLAST.ZN-B	
02	11012412	BLACK SOCKET-SWITCH SUPPORT MYB9		30	20006558	BLOWDOWN VALVE CASING MYB9 ASSY.	
	11023406	BLACK SOCKET-SWITCH SUPPORT MYB9 UL		31	129914302	SCREW TORX M4X10 TESTA D=8X1,5 GALV	
03	12000280	CUP SOCKET EN 60320 C 13		32	11022428	BLK COFFEE BOILER INSULATIN. COVER MYB9	
04	NE03.038	BIPOLAR SWITCH FUSIT C1250AR		33	184320200	SPRING HOSE CLAMP D=9,5MM	
05	12000450	SCREW TCB TORX 10 3,5X12 ZN-N		34	11012206	BLACK BLOWDOWN VALVE SUPPORT MYB9	
06	12001212	ULKA PUMP MF	230V-50HZ	35	129913902	SCREW TCB TORX 10 3X12 PLAST.ZN-B	
	12001346	ULKA PUMP MF	120V-60HZ	36	11013711	BLACK VALVE FIXING FLANGE MYB9	
	12001348	ULKA PUMP MF	220V-50/60HZ	37	11013165	DIFFUSER VALVE MYB9 ASSY.	
	12001347	ULKA PUMP MF	100V-50/60HZ	38	11013528	BLACK DIFFUSER PROTECT.VALVE MYB9 ASSY.	
07	11012194	BLACK ULKA MF PUMP SUPPORT		39	11021841	SOLENOID VALVE CONNec.INSUL.PLATE MYB9	
08	11013116	2POLES CONNECTOR STEAM PUMP MYB9 UL		40	11021842	SOLENOID VALVE CONN.INSUL.WASHER MYB9	
09	11012193	90° INLET CONNECTOR FOR PUMP ULKA MF		41	20000590	BLOWDOWN VALVE COIL P0049 ASSY.	230V
10	147920300	TEE CONNECTOR D=8 ART.80.26.047 KA.461			20000680	BLOWDOWN VALVE COIL P0049 ASSY.	120V
11	JS01.022	SILICONE TUBE 5X10 60 SHORE	IN ROLL		20000920	BLOWDOWN VALVE COIL P0049 ASSY.	220V-60HZ
12	147920150	90° INLET CONNECTOR PUMP			20000681	BLOWDOWN VALVE COIL P0049 100V ASSY.	100V
13	12000140	ULKA PUMP EP5/S GW	230V-50HZ	42	11007565	BLOWDOWN VALVE CONNECTOR V2 P0049	
	12000142	ULKA PUMP EAP5/S	120V-60HZ	43	11005096	FORK SPRING FOR VALVE P0049	
	12000182	ULKA PUMP EP5/S GW	220V-50/60HZ	44	12000620	OR ORM 0130-20 IN EPDM	
	12000130	ULKA PUMP EP5/S GW	100V-50/60HZ	45	11021450	TUB.BOILER STD C1 INSULATING	
14	11013076	2POLES CONNECTOR COFFEE PUMP MYB9 UL		46	144650300	SUCTION FILTER GAUZE NET 500 (NEW)	
15	11022857	BLACK PUMP SUPPORT GMYB			11006995	V2 BLOWDOWN VALVE MYB9 230V ASSY.	
16	140321961	OR 2031 IN TERMOIL			11022038	V2 BLOWDOWN VALVE MYB9 120V ASSY.	
17	11001054	90°CONNECTOR PUMP OUTLET P0049/B			11021989	V2 BLOWDOWN VALVE MYB9 220V-60HZ ASSY.	
18	12000781	TURBINE D=1,2 932-8521/90 ASSY.			11022037	V2 BLOWDOWN VALVE MYB9 100V ASSY. WITH PART. N°30-41-42-43-44	
19	11013122	6POLES CONNECTOR FLOWMETER MYB9 UL			11009776	TUB.BOILER STD C1 1300W 230V ASSY.	
20	11011341	V4 TUB.BOILER ASSY.	230V-1300W		11009778	TUB.BOILER STD C1 1300W 120V ASSY.	
	11005608	V3 TUB.BOILER ASSY.	120V-1300W		11012032	TUB.BOILER STD C1 1100W 100V ASSY. WITH PART. N°20-21-22-23-24	
	11011346	V4 TUB.BOILER ASSY.	100V -1100W				
21	11007907	THERMOSTATES SPRING FOR BOILER					
	11010164	UP TO S/N.9009SA40265657 THERMOSTATES SPRING FOR BOILER FROM S/N.9009SA40265658					
22	129573202	SCREW TCB TORX 20 M4X8 AUTOFORM. ZN-B					
23	190800100	TEMPERATURE SENSOR NTC UL L=280MM					
24	189428600	THERMOSTAT 175° 1NT-08L-5125					
	12001034	UP TO S/N.9009SA40265657 THERMOSTAT ONE SHOT 175° FROM S/N.9009SA40265658					
25	12000892	OETIKER CLAMP D=9,5 16700004					
26	16000380	5X8,9 SILICONE TUBE	IN ROLL				
27	11013034	STEEL TUBOL.BOILER SUPPORT MYB9					
28	11012214	BLACK BOILERS SUPPORT MYB9					

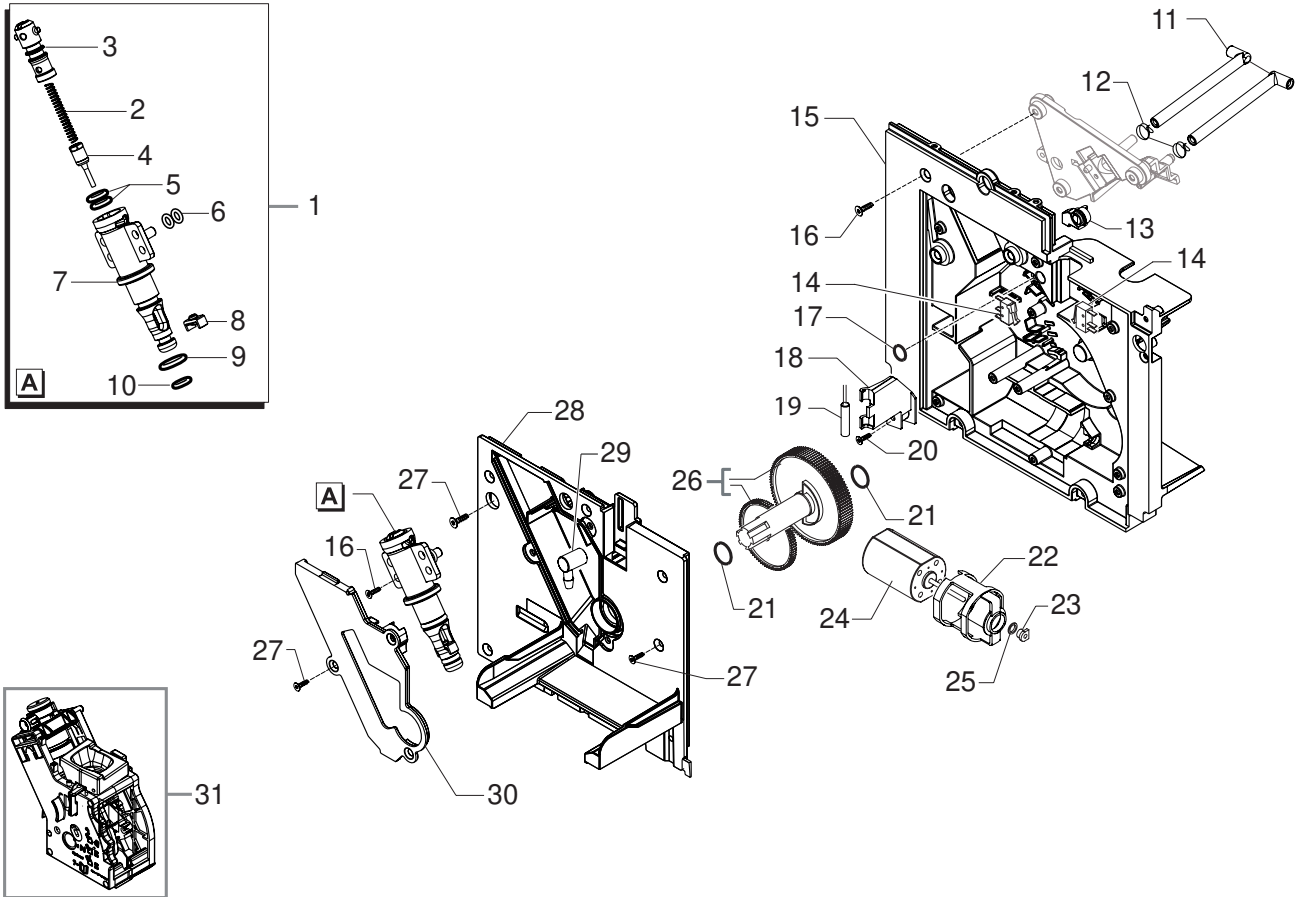


Saeco SUP038 - SUP038Z
INTERNATIONAL GROUP



Cod.10003050-51-52-53-3250-51-52
Cod.10003278-79-3314-3450-70-71

POS	CODE	DESCRIPTION	NOTE	POS	CODE	DESCRIPTION	NOTE
01	11011205	TEA/ZAMA INCREASE SCREW GRINDER					
02	149198250	UPPER GRINDER SUPPORT COFFEEGRINDER					
03	140328960	NBR FDA OR METRIC 0530-15					
04	146520100	BAKED CLAY GRINDER 48X28					
05	149198350	LOWER GRINDER SUPPORT COFFEEGRINDER					
06	123030300	AXIAL BEARING EKKO 342.35252					
07	140360500	FELT RING 45,4X39,4X4					
08	12000450	SCREW TCB TORX 10 3,5X12 PLAST.ZN-N					
09	11012564	GROUND COFFEE OUTLET CONVEYOR V2 ASSY.					
10	145854462	GROUND COFFEE CONT.SEAL LOWER SMART1					
11	11012856	SOUNDPROOF. COVER FOR COF.GRIND. MYB9					
12	226000300	GEAR SX Z=38 FOR GRINDER MOTION ASSY.					
13	149214800	CAP FOR WORM SCREW MC/V3 CENTRING					
14	129661702	SCREW TCB TORX 3,5X30 PLAST.ZN-B					
15	128381902	GALVAN.FLAT WASH.DI=4,3 DE=14 SP=1,5					
16	129574802	SCREW TCB TORX 20 M4X30 ZN-B					
17	11000597	COFFEE GRINDER SUPPORT SPRING P124					
18	128310402	GALV.WASHER UNI 8842 A4					
19	11002873	INSULATOR BUSH FOR GRINDER MOTOR P124					
20	149199050	SENSOR SUPPORT FOR COFF.GRIND.MOTOR					
21	11000513	MOTOR COFFEEGRINDER/V3.1 ASSY.	230V				
	11000511	MOTOR COFFEEGRINDER/V3.1 ASSY.	120V				
	11000512	MOTOR COFFEEGRINDER/V3.1 ASSY.	100V				
22	11013079	2POLES CONNECT. GRINDER MOTOR MYB9 UL					
23	11000194	BLACK GRINDER MOTOR SUPPORT P124					
24	181540900	ELECTRONIC BOARD WITH SENSOR HAL506					
25	123030200	RADIAL BEARING 61900.2RS1					
26	128381800	CRINKLE WASHER 21,8X15,8X0,2					
27	142905450	UPPER BODY WITH COFFE.GROUND OUTLET					
28	149199850	LOWER GEAR SUPP. COFFEEGRINDER SMART					
29	126772918	SPRING FOR ADJUSTMENT GRINDING GEAR					
30	146002150	COFFEE GRINDING ADJUSTMENT GEAR SMART					
31	149199750	UPPER GEAR SUPP. COFFEEGRINDER SMART					
32	129914002	SCREW TCB TORX 10 3,5X16 PLAST.ZN-B					
	11013147	GENERAL MOTOR MC MYB9 230V ASSY.					
	11022036	GENERAL MOTOR MC MYB9 120V ASSY.					
	11022035	GENERAL MOTOR MC MYB9 100V ASSY.					



Saeco SUP038 - SUP038Z
INTERNATIONAL GROUP



Cod.10003050-51-52-53-3250-51-52
Cod.10003278-79-3314-3450-70-71

POS	CODE	DESCRIPTION	NOTE	POS	CODE	DESCRIPTION	NOTE
01	11005060	PIN V2 FOR BOILER P119 ASSY.					
02	9011.132	SPRING FOR PIN					
03	11003820	CAP V2 FOR PIN BOILER P119					
04	11009019	TEA/BRASS PISTON L=20,9 ASSY.					
05	140324459	OR ORM 0060-20 IN SILICONE PTFE/FDA					
06	140328059	OR 2015 IN SILICONE PTFE/FDA					
07	11003801	NATURAL PIN V2 FOR BOILER P119					
08	11005099	NATURAL CURSOR V2 FOR BOILER P119					
09	NM01.035	OR ORM 0090-20 SILICONE					
10	NM01.057	OR ORM 0050-20 IN SILICONE					
11	11012337	WATER DRAIN CONNECTOR MYB9					
12	NV99.087	BAND D=11/11,6					
13	11013514	BLACK COVER MOUNTING PLATE SEAL MYB9					
14	NE05.038	MICROSWITCH					
15	227533550	BLACK MOUNTING PLATE WITH PIN P119 ASSY.					
16	12000450	SCREW TCB TORX 10 3,5X12 PLAST.ZN-N					
17	140325462	OR METRIC 0070-20 IN SILICONE					
18	11012976	BLACK SENSOR SUPPORT MYB9					
19	11003661	REED SENSOR MK3-1A66-BV16451					
20	129913902	SCREW TCB TORX 10 3X12 PLAST.ZN-B					
21	9161.132	MYLAR WASHER FOR RATIOMOTOR					
22	9121.044	ANTIVIBRATION FOR MOTOR					
23	9121.046	SINTERED BUSH FOR MOTOR					
24	11003037	MOTOR FOR RATIOMOTOR ASSY.					
25	148380200	WASHER BAKELIZZATE D=5,5					
26	20000900	SPARES KIT GEARS FOR RATIOMOTOR V2					
27	129914102	SCREW TSP TORX 10 3,5X12 PLAST.ZN-B					
28	11013513	BLACK COVER MOUNTING PLATE MYB9					
29	147920150	90° INLET CONNECTOR PUMP					
30	142856550	BLACK COVER FOR VAIN BOILER P119					
31	11012810	BLACK BREW UNIT 8GR.SBS MYB9 SEE COD. EXPL. E90071					