

**Saeco** SUP030ADR  
INTERNATIONAL GROUP

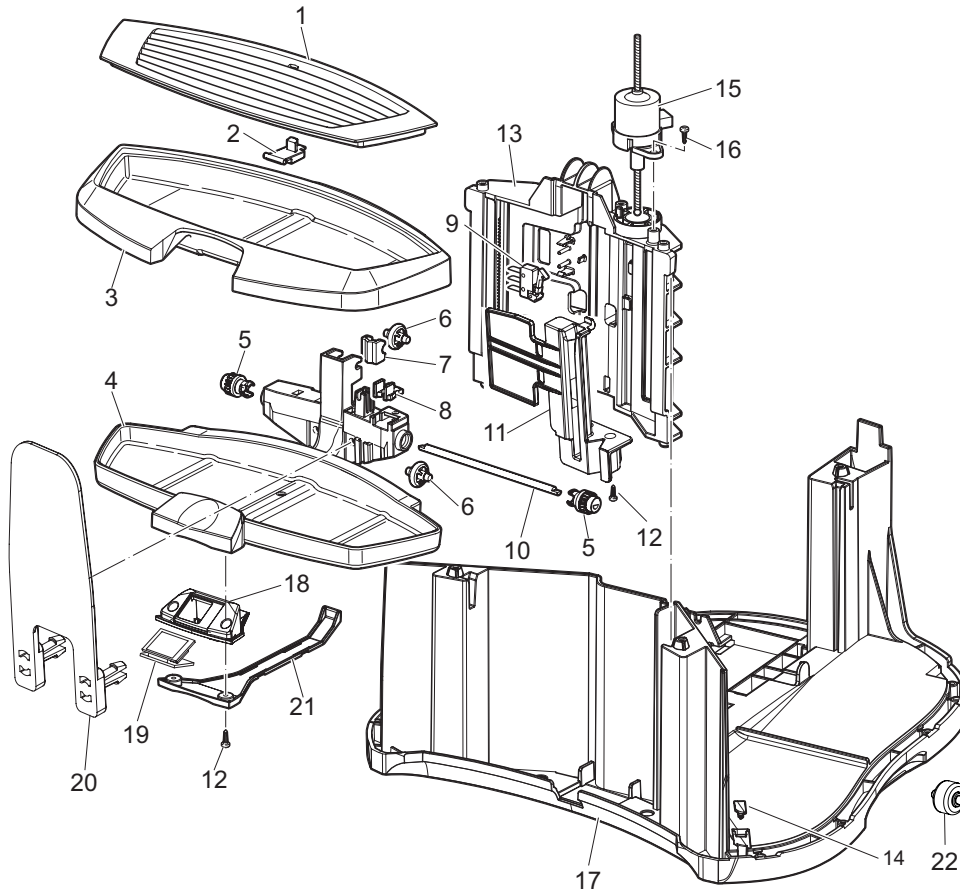


Cod. 1000100-101-176-177-264-265  
290-524-1258-1259-1310-1311-1312

POS	CODICE	DESCRIZIONE	NOTE
01	129914102	VITE TORX K 35X12 WN 1423 ZINCATA	
02	11002248	CARCASSA LATERALE SX P124 VER.MEZZANOT.	
	11002247	CARCASSA LATERALE SX P124 VER.SPECCH.	
03	11003396	AS.COP.SCALDTAZ.P124 ARG.C/PTC DOP.IS	
04	1501.098	CONFEZIONE DI GRASSO AL SILICONE	
05	11000580	VETRINO X LED ILLUMINAZIONE TAZZE P124	
06	11000293	TUBO EROGAZ. ACQUA CALDA P124 NERO	
07	12000414	OR METRICO 0030-15 IN EPDM/FDA	
08	11000294	RACCORDO X TUBO ACQUA CALDA P124 NERO	
09	11000593	COPERT.TUBO EROG.ACQUA CALDA P124 INOX	
10	11000596	IMPUGNAT.TUBO EROG.ACQ.CALDA P124 NERA	
11	11002275	SUPP.TUBO ACQUA CALDA P124 VER.SPECCH.	
	11002277	SUPP.TUBO ACQUA CALDA P124 VER.MEZZAN.	
12	11002266	COPERT.SUPP.DISPLAY P124 VER.SPECCHIATO	
	11002268	COPERT.SUPP.DISPLAY P124 VER.MEZZANOTTE	
13	11003178	AS.CARCAS.ANT/SUP.P124/A SPECCHIATO SER.	
	11003177	AS.CARCAS.ANT/SUP.P124/A MEZZANOTTE SER.	
14	129573402	VITE TCB PH/SW 4X10 UNI 8112 ZNP	
15	U140.014	PANELVIT TCB 3,5X16 DIN 7505 B ZNP	
16	13000083	FASCIA SOLLEVAMENTO CA L=1550 H=400 P124	
17	11002246	COPERT.SPOT.CARC.LAT.DX P124 VER.MEZZ.	
	11002245	COPERT.SPOT.CARC.LAT.DX P124 VER.SPEC.	
18	NV99.055	CHIAVE A BRUGOLA ESAGONO 5	
19	11000581	PERNO X CERNIERA SPORTELLO P124 OTT/NIK	
20	11002265	COPERC.PORTA SERIALE P124 VER.MEZZANOT.	
	11002264	COPERC.PORTA SERIALE P124 VER.SPECCH.	
21	15000869	LIBRET.ISTRUZIONI V2 SAECO P124/A NL/PL	
	15000900	LIBRET.ISTRUZIONI V2 SAECO P124/A E/P	
	15000901	LIBRET.ISTRUZIONI V2 SAECO P124/A GB/F	
	15000902	LIBRET.ISTRUZIONI V2 SAECO P124/A D/I	
	15000940	LIBRET.ISTRUZIONI V2 SAECO P124/A JAP	
	15001000	LIBRET.ISTRUZIONI V3 SAECO P124/A D/I	
	15001002	LIBRET.ISTRUZIONI V3 SAECO P124/A GB/F	
22	11002292	TASTO X INTERR.GENER.P124 CROM.LUC.SER.	
23	11002290	ANELLO X TASTO INT.GEN.P124 VER.MEZZANOT	
	11002289	ANELLO X TASTO INT.GEN.P124 VER.SPECCH.	
24	11002260	CARCASSA LATERALE DX P124 VER.MEZZANOT.	
	11002249	CARCASSA LATERALE DX P124 VER.SPECCH.	
25	11000283	SPORTELLO X CARCAS.LATERALE DX NERO	
26	11003076	MAGNETE D=12 P124	
27	11000759	MOLLA X TUBO ACQUA CALDA P124 ACC.	
28	127390100	PENNELLO PER PULIZIA	
29	145902250	INNESTO X FILTRO DECALCIFICANTE NER	
30	146680850	MISURINO X CAFFE'SMART NERO	
31	223070200	CONFEZIONE SAECO AQUA PRIMA 1 PEZZO	
32	0301.961	TEST DUREZZA ACQUA	
33	145898750	INSERTO X CHIUSURA FRONTALINO P119	
34	149254400	TASTO PUSH-PUSH A4U66A-6X-000(800G)	
35	11005082	CONF.DA 4BUSTE+2PAST.DETERGENTE WEIG.	
36	13000201	SCATOLA LITOGRAF. SAECO TASTE BOX P124	
37	13000081	INSERTO SUPER.POLISTIROLO SCATOLA P124	
38	13000082	INSERTO INFER.POLISTIROLO SCATOLA P124	
39	13000200	SCATOLA LITOGRAFATA P124 SAECO PRIMEA	

POS	CODE	DESCRIPTION	NOTE
01	129914102	SCREW K 35X12 WN 1423 GALVANIZED	
02	11002248	MEZZANOTTE LEFT SIDE CASING P124	
	11002247	SPECCHIATO LEFT SIDE CASING P124	
03	11003396	SILVER CUPWARMING LID P124 ASSY.	
04	1501.098	SILICONE GREASE CONFECTIONS	
05	11000580	GLASS FOR CUPS LED P124	
06	11000293	BLACK HOT WATER DISPENSER TUBE P124	
07	12000414	OR METRIC 0030-15 IN EPDM/FDA	
08	11000294	BLACK HOT WATER TUBE CONNECTOR P124	
09	11000593	HOT WATER TUBE COVER P124	
10	11000596	BLACK HOT WATER TUBE HANDLE FOR P124	
11	11002275	SPECCHIATO HOT WATER TUBE SUPP. P124	
	11002277	MEZZANOTTE HOT WATER TUBE SUPP. P124	
12	11002266	SPECCHIAT. DISPLAY SUPPORT COVER P124	
	11002268	MEZZANOT. DISPLAY SUPPORT COVER P124	
13	11003178	SPECCHIAT.FRONT/UPPER CASING P124/A AS	
	11003177	MEZZANOT.FRONT/UPPER CASING P124/A AS	
14	129573402	SCREW TAPT M4X10 DIN 7985 GALV	
15	U140.014	PANELVIT TCB 3,5X16 DIN 7505 B GAL	
16	13000083	BAND FOR LIFTING L=1550 H=400 MM	
17	11002246	MEZZANOTTE LATERAL DOOR COVER P124	
18	11002245	SPECCHIATO LATERAL DOOR COVER P124	
19	NV99.055	ALLEN KEY 5	
20	11000581	PIN FOR DOOR HINGE P124	
	11002265	MEZZANOTTE SERIAL PORT COVER P124	
	11002264	SPECCHIATO SERIAL PORT COVER P124	
21	15000869	MANUAL INSTRUCTIO.V2 SAEC. P124/A NL/PL	
	15000900	MANUAL INSTRUCTIO.V2 SAECO P124/A E/P	
	15000901	MANUAL INSTRUCTIO.V2 SAECO P124/A GB/F	
	15000902	MANUAL INSTRUCTIO.V2 SAECO P124/A D/I	
	15000940	MANUAL INSTRUCTIO.V2 SAECO P124/A JAP	
	15001000	MANUAL INSTRUCTIO.V3 SAECO P124/A D/I	
	15001002	MANUAL INSTRUCTIO.V3 SAECO P124/A GB/F	
22	11002292	GENERAL SWITCH BUTTON P124 SILK/SCR.	
23	11002290	MEZZANOT. GEN.SWITCH BUTTON RING P124	
	11002289	SPECCH. GEN.SWITCH BUTTON RING P124	
24	11002260	MEZZANOTTE RIGHT SIDE CASING P124	
	11002249	SPECCHIATO RIGHT SIDE CASING P124	
25	11000283	BLACK LATERAL DOOR COVER P124	
26	11003076	D=12 MAGNET P124	
27	11000759	HOT WATER TUBE SPRING P124	
28	127390100	BRUSH FOR CLEANING	
29	145902250	INSERT FOR DECALCIFYING FILTER	
30	146680850	BLACK COFFEE MEASURE SMART	
31	223070200	CONFECTION SAECO AQUA PRIMA	
32	0301.961	WATER HARDNESS TEST	
33	145898750	INSERT FOR CLOSING FRONT PANEL P119	
34	149254400	PUSH-PUSH A4U66A-6X-000 (800G)	
35	11005082	WEIGERT 4 ENVELOPES+2 TABS PACK	
36	13000201	SAECO TASTE BOX P124	
37	13000081	UPPER PS-E.INSERT FOR BOX P124	
38	13000082	LOWER PS-E.INSERT FOR BOX P124	
39	13000200	DISPLAY BOX P124 SAECO PRIMEA	

**Saeco** SUP030ADR  
INTERNATIONAL GROUP



**Saeco** SUP030ADR  
INTERNATIONAL GROUP

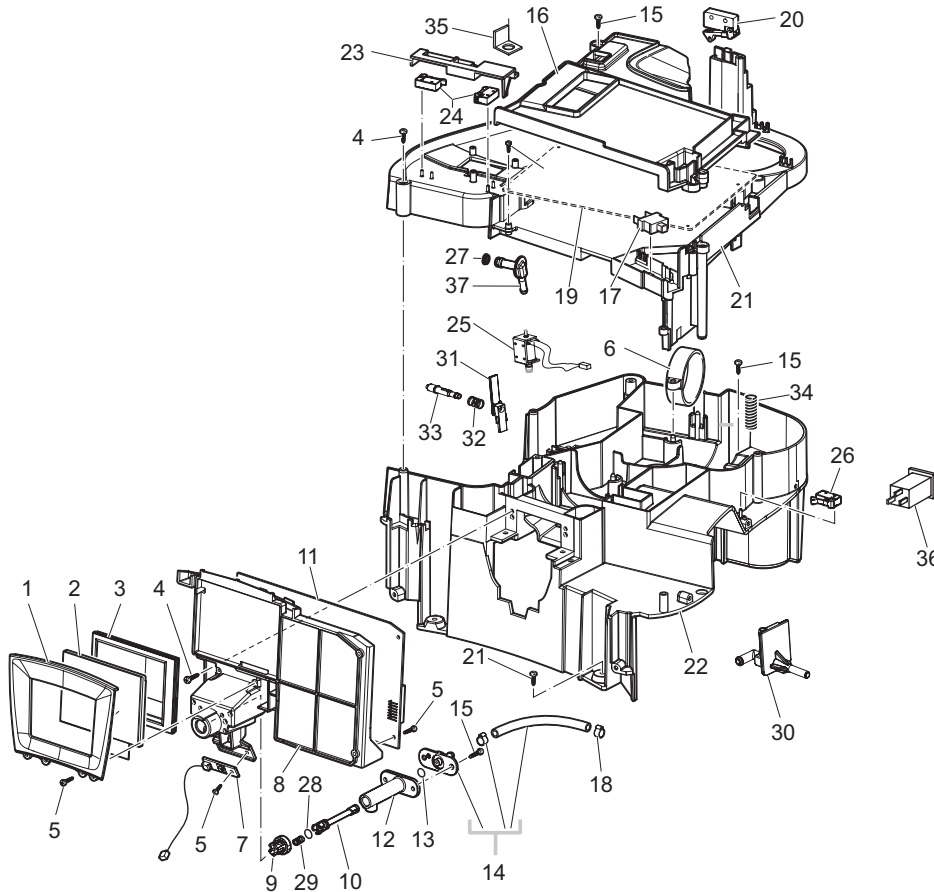


**Cod. 10000100-101-176-177-264-265**  
**290-524-1258-1259-1310-1311-1312**

POS	CODICE	DESCRIZIONE	NOTE
01	11002274	GRIGLIA VASCA REC.ACQUA P124 VER.SPECCH.	
02	11000292	GALLEG.X VASCA RECUP.ACQUA P124 ROSSO	
03	11002272	VASCA RECUPERO ACQUA P124 VER.CARBONA	
04	11002273	SUPP.VASCA REC.ACQUA P124 VER.CARBONA	
05	11000081	INGR.Z=17 X SUPPOR.VASC.REC.ACQ.P124 NER	
06	11000113	RUOTA X SUPP.VASCA REC.ACQUA P124 NER	
07	11000224	INSER.X REGISTRO RUOTA SUP.VASCHET.P124	
08	11000115	PIASTRINA X FISSAGG.VITE SENZA FINE P124	
09	11000662	AS.MICROINTER.VASCA RECUP.ACQUA P124	230V
	11004447	AS.MICROINTER.VASCA RECUP.ACQUA P124 UL	120V
10	11000586	ALBERO X INGR.VASC.MOBIL.P124 TROPICALIZ	
11	11002293	PROTEZ.INF.MOVIM.VASCA REC.ACQ.P124 NER.	
12	U140.006	PANELVIT TCB 2,5X10 DIN 7505 B ZNP	
13	11000114	SUPP.X MOVIM.SUP.VASCA REC.ACQ.P124 NER	
14	11000273	INSERTO X CHIUSURA FONDO P124 NERO	
15	12000065	MOTORE SAIA UCL X VASCHETTA MOBILE P124	
16	U140.014	PANELVIT TCB 3,5X16 DIN 7505 B ZNP	
17	144703850	FONDO CARCASSA P124 NERO	
18	11000588	SUPP.SCHEDA 2SENS.X VASC.MOBILE P124 NER	
19	11000585	SCHEDA 2SENS.CAPACITIVI X VASCH.MOB.P124	
20	11002269	PROT.MOVIM.VASCA REC.ACQ.P124 VER.SPEC.	
	11002271	PROT.MOVIM.VASCA REC.ACQ.P124 VER.MEZZ.	
21	11000070	COPERT.CAVET.SENSORI CAPACITIVI P124 NER	
22	11000223	RUOTA X FONDO CARCASSA P124 NERA	

POS	CODE	DESCRIPTION	NOTE
01	11002274	SPECCHIATO GRATE FOR DRIP TRAY P124	
02	11000292	RED FLOAT FOR DRIP TRAY P124	
03	11002272	CARBONA DRIP TRAY P124	
04	11002273	CARBONA DRIP TRAY SUPPORT P124	
05	11000081	GEAR Z=17 FOR MOBILE TRAY SUPP. P124	
06	11000113	BLACK WHELL FOR DRIP TRAY SUPP. P124	
07	11000224	INSERT.FOR ADJUSTMENT TRAY WHEEL P124	
08	11000115	FIXING PLATE FOR FEEDING SCREW P124	
09	11000662	MICROSWITCH DRIP TRAY ASSY.P124	230V
	11004447	MICROSWITCH DRIP TRAY P124 UL ASSY.	120V
10	11000586	MOBILE DRIP TRAY GEARS SHAFT P124	
11	11002293	BLACK LOWER DRIP TRAY PROT.SUPP. P124	
12	U140.006	PANELVIT TCB 2,5X10 DIN 7505 B GAL	
13	11000114	SUPPORT FOR DRIP TRAY SUPP. HANDLING	
14	11000273	INSERT FOR CASING BOTTOM CLOSING P124	
15	12000065	SAIA UCB MOTOR FOR P124 MOBILE TRAY	
16	U140.014	PANELVIT TCB 3,5X16 DIN 7505 B GAL	
17	144703850	CASING BOTTOM P124 BLACK	
18	11000588	BLACK SENSOR BOARD SUPPORT P124	
19	11000585	MOBILE DRIP TRAY SENSOR BOARD P124	
20	11002269	SPECCHIATO DRIP TRAY PROTEC.SUPP. P124	
	11002271	MEZZANOTTE DRIP TRAY PROTEC.SUP. P124	
21	11000070	BLACK COVER FOR SENSORS CABLES P124	
22	11000223	BLACK WHEEL FOR CASING BOTTOM P124	

**Saeco** SUP030ADR  
INTERNATIONAL GROUP



**Saeco** SUP030ADR  
INTERNATIONAL GROUP

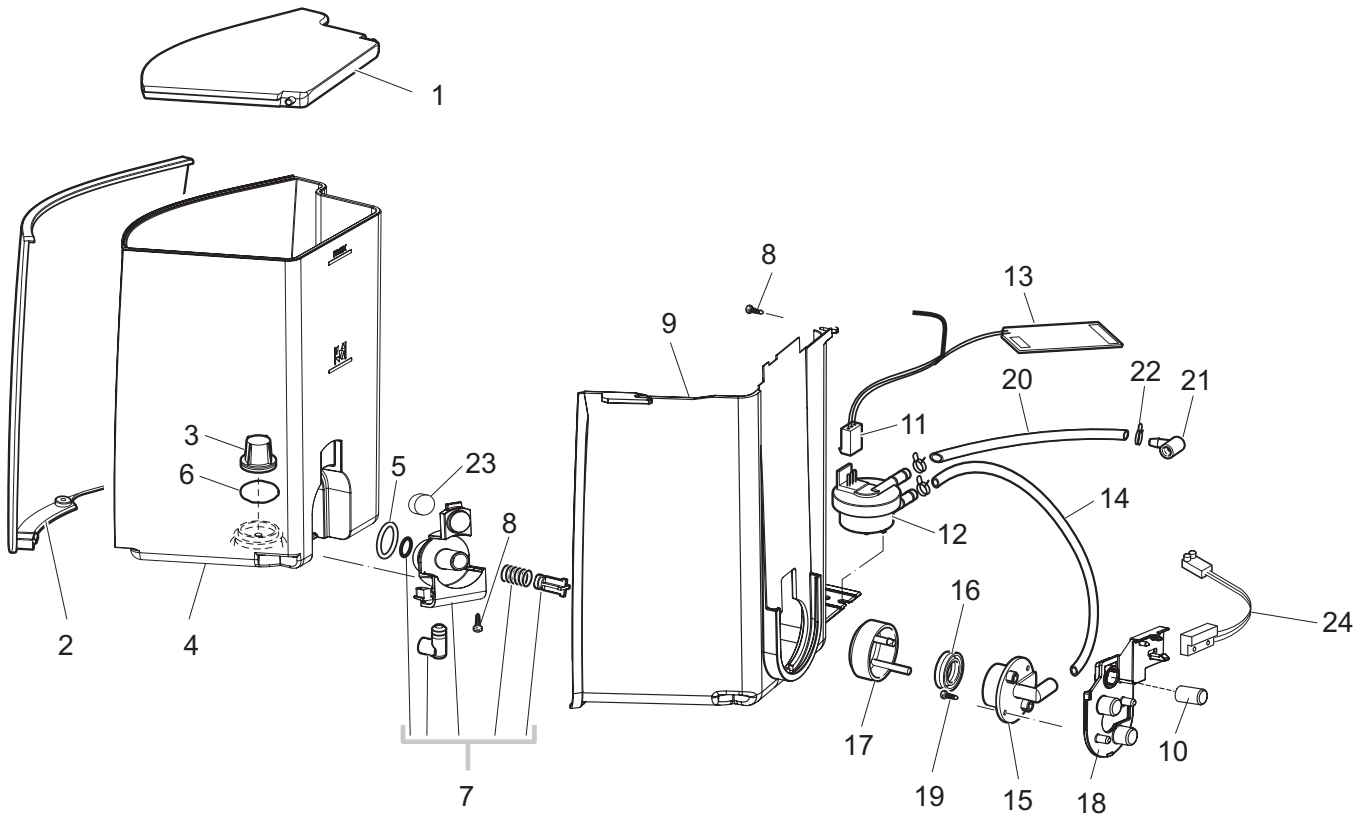


**Cod. 1000100-101-176-177-264-265**  
**290-524-1258-1259-1310-1311-1312**

POS	CODICE	DESCRIZIONE	NOTE
01	11002566	CORNICE TOUCH SCR.COLORI P124 VER.SPEC.	
	11002305	CORNICE TOUCH SCR.COLORI P124 VER.MEZZ.	
02	12000001	DISPLAY C/TOUCH SCREEN 240xH320 3COLORI	
03	11000195	GUARNIZIONE TOUCH SCREEN A COLORI P124	
04	U143.009	VITE PT TB 3,5X30 WN1412 BN 13577 Z	
05	U140.006	PANELVIT TCB 2,5X10 DIN 7505 B ZNP	
06	11000194	SUPPORTO MOTORE MACINACAFFE' P124 NERO	
07	11000686	SCHEDA EL.LED ILLUMINAZION.TAZZE P124 5V	
08	11000067	SUPPORTO DISPLAY A COLORI P124/A	
09	149198700	SUPPORTO ASTA REGOLAZIONE CREMA	
10	140640200	ASTA REGOLAZIONE CREMA	
11	11005724	AS.CPU+SW/V1 P124/A	FINO MAT.9006PRI0042775
	11006111	AS.CPU+SW/V1A P124/A	DA MATR. 9006PRI0042776
12	11000290	TUBO EROGAZIONE CAFFEE' P124 NERO	
13	12000070	OR METRICO 0060-15 IN SILICONE	
14	20000450	KIT RICAMBIO RACC.C/RESCA X EROGAT.P124	
15	U140.014	PANELVIT TCB 3,5X16 DIN 7505 B ZNP	
16	11000570	COPERCHIO SCHEDA ELETTRONICA P124 NERO	230V
	11004316	COPERCHIO SCHEDA ELETTRON.P124 UL NERO	120V
17	11000592	INTERRUTTORE GENERALE SAIA 3292 X P124	
18	12000361	FASCETTA OETIKER D=9 16702491	
19	11000331	AS.PWR+SW P124/A 230V	FINO MAT.9006PRI0042775
	11004443	AS.PWR+SW P124/A 120V	FINO MAT.9006PRI0042775
	11005610	AS.PWR+SW/V1 P124/A 230V	DA MATR. 9006PRI0042776
	11005620	AS.PWR+SW/V1 P124/A 120V	DA MATR. 9006PRI0042776
20	11002857	AS.SENSORI MACINAC.+MICRO CONT.CAF.P124	
21	11000563	PIASTRA SUPPORTO SCHEDA ELET.P124 NERO	230V
	11004315	PIASTRA SUPPORTO SCHEDA ELET.P124UL NER	120V
22	11000326	PIASTRA ORIZZONTALE DI MONTAG.P124 NERO	
23	11000564	ATTUATORE X MICRO AUTOCAPPUCCINO P124	
24	11000663	AS.MICROINTERR.PRESENZA VASCA LATTE P124	230V
	11004459	AS.MICROINT.PRESENZA VASCA LATTE P124 UL	120V
25	11002856	AS.ELETTROMAGN.XXX CONT. LATTE P124	230V
	11004485	AS.ELETTROMAGN.XXX CONT. LATTE P124 UL	120V
26	11000606	AS.MICROINTERRUTTORE SPORTELLO P124	230V
	11004463	AS.MICROINTERRUTTORE SPORTELLO P124 UL	120V
27	11000193	GUARN. X RACCORDO USCITA LATTE P124 NER	
28	140326661	OR METRICO 0040-20 IN EPDM	
29	126772518	MOLLA X ASTA REGOLAZIONE CREMA	
30	11003732	RACCOR.2 VIE USCITA CAF.GRUPPO P124 NERO	
31	11000291	PIASTRINA X RACCOR.LATTE/VAPORE P124 NER	
32	11001694	MOLLA X TUBO EROGAZIONE LATTE P124 ACC.	
33	11002186	TUBO X PIAST.RAC.LATTE/VAP.C/NT P124 NER	
34	11000597	MOLLA DI SUPPORTO MOTORE MC P124 ACC.	
35	12000071	LING.DOPPIA 6,3 D=4,3 <=90° 0010229202	
36	12000280	PRESA A VASCHETTA C/SMUSSI EN 60320 C 13	
37	11002191	RACCORDO LATTE/VAPORE C/NT P124 NERO	

POS	CODE	DESCRIPTION	NOTE
01	11002566	SPECCHIATO TOUCH SCREEN FRAME P124	
	11002305	MEZZANOTTE TOUCH SCREEN FRAME P124	
02	12000001	240(W) 320(H) 3(RGB) DISPLAY TOUCHSCR.	
03	11000195	COLORS TOUCH SCREEN SEAL P124	
04	U143.009	SCREW PT TB 3,5X30 WN1412 BN 1357	
05	U140.006	PANELVIT TCB 2,5X10 DIN 7505 B GAL	
06	11000194	BLACK GRINDER MOTOR SUPPORT P124	
07	11000686	5V.LED BOARD P124	
08	11000067	COLORS DISPLAY SUPPORT P124/A	
09	149198700	SUPPORT CREAM ADJUSTMENT SHAFT	
10	140640200	CREAM ADJUSTMENT SHAFT	
11	11005724	AS.CPU+SW/V1 P124/A	UP TO S/N9006PRI0042775
	11006111	AS.CPU+SW/V1A P124/A	FROM S/N9006PRI0042776
12	11000290	BLACK COFFEE DISPENSER TUBE P124	
13	12000070	OR METRIC 0060-15 IN SILICONE	
14	20000450	SPARES KIT FOR TOOTHED CONNECT. P124	
15	U140.014	PANELVIT TCB 3,5X16 DIN 7505 B GAL	
16	11000570	BLACK ELECTRONIC BOARD COVER P124	230V
	11004316	BLACK ELECTRONIC BOARD COVER P124 UL	120V
17	11000592	SAIA 3292 GENERAL SWITCH FOR P124	
18	12000361	OETIKER CLAMP D=9 16702491	
19	11000331	PWR P124/A 230V	UP TO S/N9006PRI0042775
	11004443	PWR+SW AS.P124/A 120V	UP TO S/N9006PRI0042775
	11005610	PWR+SW/V1 AS.P124/A 230V	UP TO S/N9006PRI0042776
	11005620	PWR+SW/V1 AS.P124/A 120V	FROM S/N9006PRI0042776
20	11002857	SENSORS GRINDER+MICRO COF. CONT. P124	
21	11000563	BLACK ELECTRON.BOARD SUP. PLATE P124	230V
	11004315	BLACK ELECTR.BOARD SUP. PLATE P124 UL	120V
22	11000326	BLACK HORIZONTAL PLATE P124	
23	11000564	AUTOCAPPUCC. MICROSWIT. ACTUATOR P124	
24	11000663	MICROSWIT. PRESENCE MILK BOX AS.P124	230V
	11004459	MICROSWIT. PRESENCE MILK BOX P124UL AS	120V
25	11002856	ELECTROM.XXXXXXXXXX MILK CONT.P124 AS	230V
	11004485	ELECTROM.XXXXXXXXXX MILK CONT.P124 UL AS.	120V
26	11000606	MICROSWITCH DOOR ASSY P124	230V
	11004463	MICROSWITCH DOOR P124 UL ASSY.	120V
27	11000193	MILK OUTLET SEAL P124	
28	140326661	OR METRIC 0040-20 IN EPDM	
29	126772518	SPRING FOR CREAM ADJUSTMENT SHAFT	
30	11003732	2 WAYS CONNECT. FOR COFFEE BREW UNIT	
31	11000291	BLACK MILK/STEAM CONNECT. PLATE P124	
32	11001694	MILK TUBE SPRING P124	
33	11002186	MILK/STEAM CON.PLATE TUBE WITH NT P124	
34	11000597	COFFEE GRINDER SUPPORT SPRING P124	
35	12000071	DOUBLE TABS 6,3 D=4,3 <=90° 0010229202	
36	12000280	CUP SOCKET EN 60320 C 13	
37	11002191	BLACK CONNECT. MILK/STEAM WITH NT P124	

**Saeco** SUP030ADR  
INTERNATIONAL GROUP



**Saeco** SUP030ADR  
INTERNATIONAL GROUP

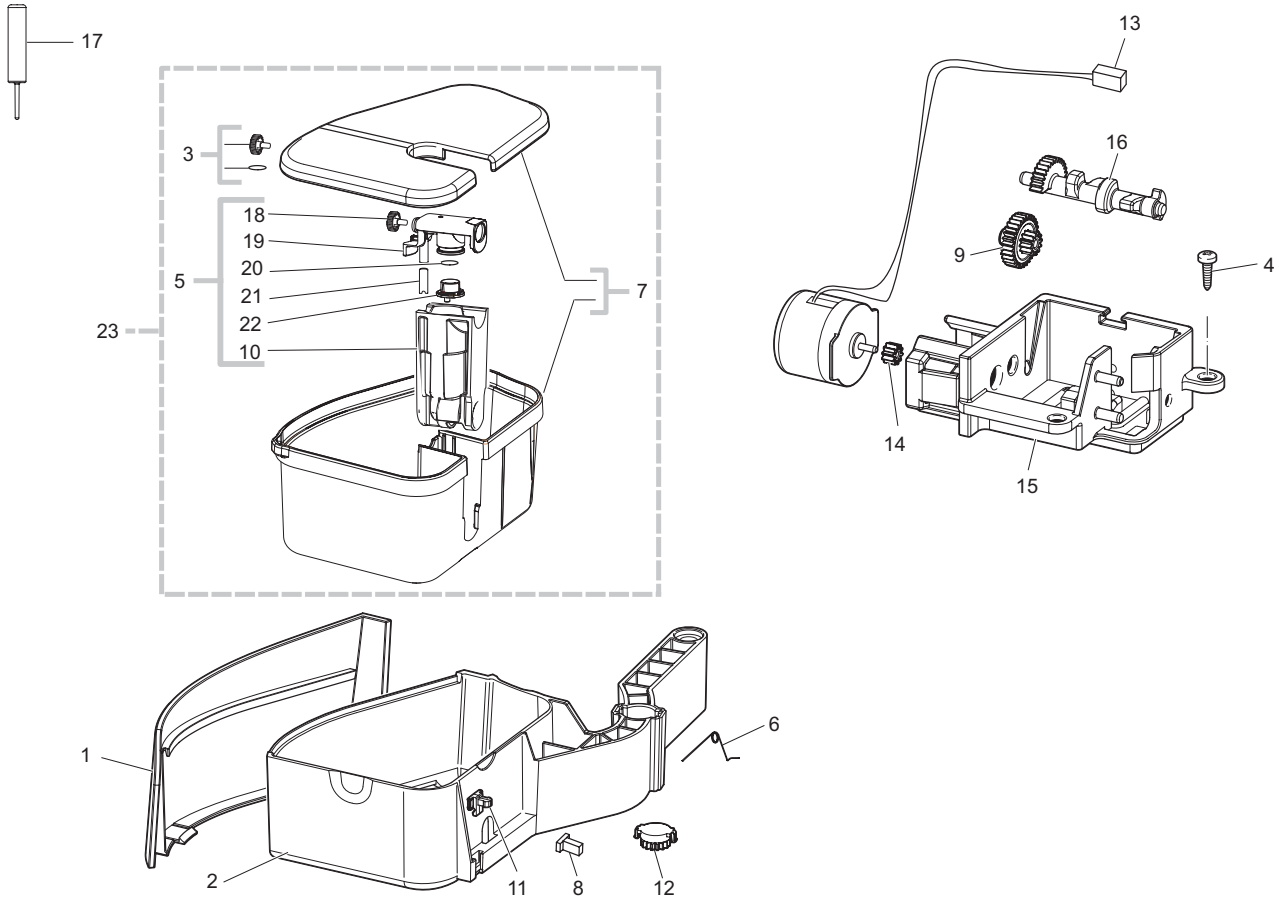


**Cod. 10000100-101-176-177-264-265**  
**290-524-1258-1259-1310-1311-1312**

POS	CODICE	DESCRIZIONE	NOTE
01	11000250	COPERCHIO CONTENITORE ACQUA P124 NERO	
02	11002284	COPERT.LAT.CONT.ACQUA P124 VER.MEZZAN.	
	11002283	COPERT.LAT.CONT.ACQUA P124 VER.SPECCH.	
03	144650800	FILTRO X CONTENITORE ACQUA	
04	11000228	CONTENITORE ACQUA P124 GRIG/NATURALE	
05	NM01.016	OR 3068 SILICONE	
06	140328461	OR METRICO 0019-10 IN EPDM	
07	20000452	KIT RICAMBIO COPERT.USCITA CONT.ACQ.P124	
08	U140.006	PANELVIT TCB 2,5X10 DIN 7505 B ZNP	
09	11000251	SUPPORTO CONTENITORE ACQUA P124 NERO	
10	11003040	CILINDRO D=10 X SUPPOR.CONT.ACQUA P124	
11	11000608	AS.CONNETT.6POLI LIVELLO+TURBINA P124	
12		PARTICOLARE NON DISPONIBILE	VEDI ASS. TURBINA
13	11000651	SCHEDA SENSORE CAPACITIVO LIV.ACQ.P124	
14		PARTICOLARE NON DISPONIBILE	VEDI ASS. TURBINA
15	11000254	CONTENITORE GUARNIZ. X VALVOLA P124 NER	
16	12000168	GUARNIZ.X VALV.CONTENIT.ACQUA P124 NERA	
17	11000255	COPERTURA CONT.GUARN.VALVOLA P124 NER	
18	11000253	PIASTRA SUPPORTO VALVOLA ACQ. P124 NER	
19	129535721	VITE TSP 3,5X9,5 DIN 7982 INOX	
20		PARTICOLARE NON DISPONIBILE	VEDI ASS. TURBINA
21		PARTICOLARE NON DISPONIBILE	VEDI ASS. TURBINA
22		PARTICOLARE NON DISPONIBILE	VEDI ASS. TURBINA
23	11003076	MAGNETE D=12 P124	
24	11002854	SENS.REED MK4-1A71-BV14597 LIV.ACQ.P124	
	11000678	AS.TURBINA P124 CON PART. N°12 - 14 - 20 - 21 - 22	

POS	CODE	DESCRIPTION	NOTE
01	11000250	BLACK WATER CONTAINER LID P124	
02	11002284	MEZZANOT. RIGHT WATER TANK COV. P124	
	11002283	SPECCHIAT. RIGHT WATER TANK COV. P124	
03	144650800	WATER TANK FILTER	
04	11000228	NATURAL/GREY WATER CONTAINER P124	
05	NM01.016	OR 3068 SILICONE	
06	140328461	EPDM OR METRIC 0019-10	
07	20000452	SPARES KIT WATER TANK OUTLET COV. P124	
08	U140.006	PANELVIT TCB 2,5X10 DIN 7505 B GAL	
09	11000251	BLACK WATER CONTAINER SUPPORT P124	
10	11003040	WATER CONTAINER SUPPORT D=10 CYLIND.	
11	11000608	6POLES CONNECT. LEVEL+FLOWMETER P124	
12		PARTICULAR NOT AVAILABLE	SEE ASS. TURBINE
13	11000651	WATER LEVEL SENSOR BOARD P124	
14		PARTICULAR NOT AVAILABLE	SEE ASS. TURBINE
15	11000254	BLACK VALVE SEAL CONTAINER P124	
16	12000168	WATER CONTAINER VALVE SEAL P124	
17	11000255	BLACK COVER FORVALVE SEAL CONT. P124	
18	11000253	BLACK WATER VALVE SUPPORT PLATE P124	
19	129535721	SCREW TSP3,5X9,5 DIN 7982 SS	
20		PARTICULAR NOT AVAILABLE	SEE ASS. TURBINE
21		PARTICULAR NOT AVAILABLE	SEE ASS. TURBINE
22		PARTICULAR NOT AVAILABLE	SEE ASS. TURBINE
23	11003076	D=12 MAGNET P124	
24	11002854	REED SENSOR MK4-1A71-BV14597 P124	
	11000678	TURBINE ASSY.P124 WITH PART. N°12 - 14 - 20 - 21 - 22	

**Saeco** SUP030ADR  
INTERNATIONAL GROUP



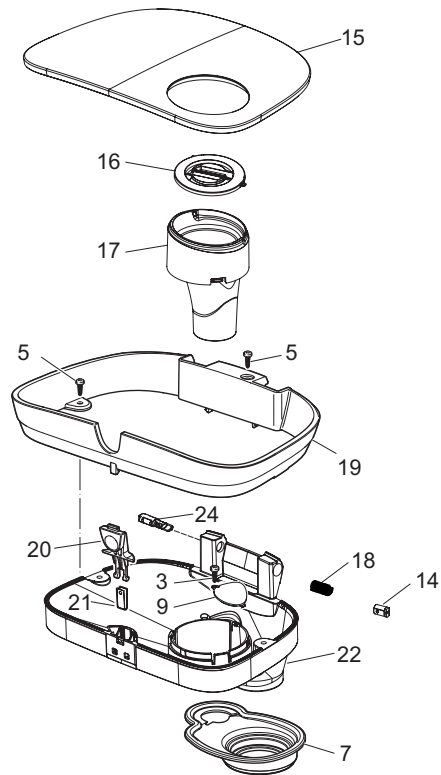
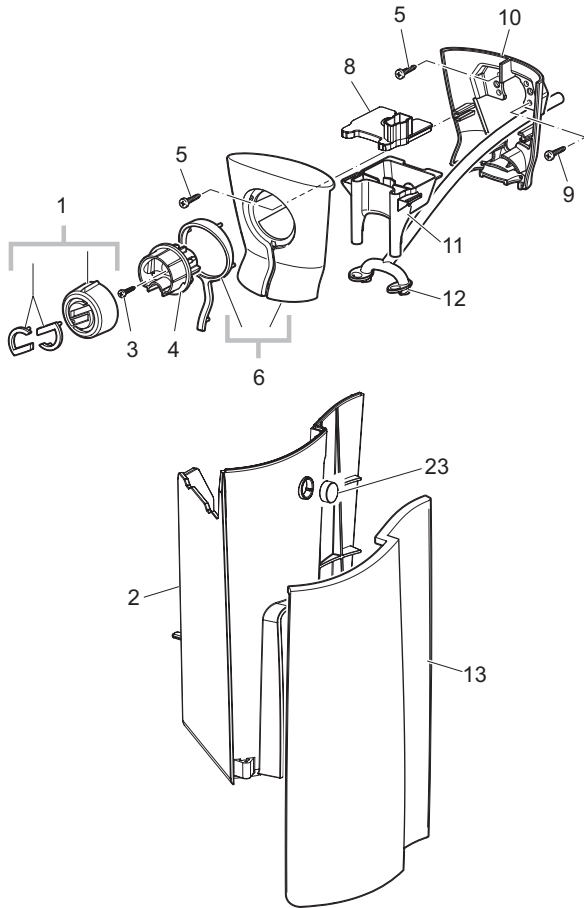
**Saeco** SUP030ADR  
INTERNATIONAL GROUP



Cod. 1000100-101-176-177-264-265  
290-524-1258-1259-1310-1311-1312

POS	CODICE	DESCRIZIONE	NOTE	POS	CODE	DESCRIPTION	NOTE
01	11002295	COPERT.LAT.SUPP.CONT.LATTE P124 VER.MEZ		01	11002295	MEZZAN.LATER. COVER FOR MILK CONT.SUP	
	11002286	COPERT.LAT.SUPP.CONT.LATTE P124 VER.SPEC			11002286	SPECCH.LATER. COVER FOR MILK CONT.SUP	
02	11000269	SUPPORTO X CONTENITORE LATTE P124 NERO		02	11000269	BLACK MILK CONTAINER SUPPORT P124	
03	11006010	AS.RICAMBI CAPPUCINATORE V2 P124	DA MATR. 9006PRI0042776	03	11006010	CAPPUCINATORE V2 SPARE PARTS P124 AS	FROM S/N.9006PRI0042776
04	U140.006	PANELVIT TCB 2,5X10 DIN 7505 B ZNP		04	U140.006	PANELVIT TCB 2,5X10 DIN 7505 B GAL	
05	20000454	KIT RICAMBIO CAPPUCINATORE P124	DA MATR. 9006PRI0042776	05	20000454	SPARES KIT FOR CAPPUCINATORE P124	FROM S/N.9006PRI0042776
06	11000739	MOLLA X SUPPORTO CONTEN.LATTE P124 ACC.		06	11000739	MILK CONTAINER SUPPORT SPRING P124	
07	20000540	KIT RICAMB. CONT.LATTE+COPERCH.P124 NERO	DA MATR. 9006PRI0042776	07	20000540	SPARES KIT MILK CONTAINER + COVER P124	FROM S/N.9006PRI0042776
08	12000440	TASTO PUSH-PUSH 029KD-2-9-999-02		08	12000440	PUSH-PUSH 029KD-2-9-999-02	
09		PARTICOLARE NON DISPONIBILE	VEDI ASS. VALVOLA	09		PARTICULAR NOT AVAILABLE	SEE AUTOCAP. VALVE
10	11005217	CORPO CAPPUC.POSTCAMERA C/NT P124 NER	DA MATR. 9006PRI0042776	10	11005217	BLACK CAPPUCINAT.CASING WITH NT P124	FROM S/N.9006PRI0042776
11	145898750	INSERTO X CHIUSURA FRONTALINO P119		11	145898750	INSERT FOR CLOSING FRONT PANEL P119	
12	11000679	INGRANAGGIO VISCOSO X GUIDA LATTE P124		12	11000679	VISCOUS GEAR FOR MILK GUIDE P124	
13		PARTICOLARE NON DISPONIBILE	VEDI ASS. VALVOLA	13		PARTICULAR NOT AVAILABLE	SEE AUTOCAP. VALVE
14		PARTICOLARE NON DISPONIBILE	VEDI ASS. VALVOLA	14		PARTICULAR NOT AVAILABLE	SEE AUTOCAP. VALVE
15		PARTICOLARE NON DISPONIBILE	VEDI ASS. VALVOLA	15		PARTICULAR NOT AVAILABLE	SEE AUTOCAP. VALVE
16		PARTICOLARE NON DISPONIBILE	VEDI ASS. VALVOLA	16		PARTICULAR NOT AVAILABLE	SEE AUTOCAP. VALVE
17	11004143	SPILLO PULIZIA CAPPUCINAT.P124 AC.INOX	FINO MAT.9006PRI0042775	17	11004143	S.STEEL PIN FOR CAPPUCIN.CLEANING P124	UP TO S/N.9006PRI0042775
18	11005218	REGOLAT.FLUSSO LATTE-ARIA C/NT P124 BIA.	DA MATR. 9006PRI0042776	18	11005218	REGULAT. OF FLOW MILK-AIR WITH NT P124	FROM S/N.9006PRI0042776
19	11005215	EROGATORE X CAPPUC. OR C/NT P124 NER	DA MATR. 9006PRI0042776	19	11005215	BLACK CAPPUC. DISPENSER WITH NT P124	FROM S/N.9006PRI0042776
20	140322261	OR 2050 IN EPDM	DA MATR. 9006PRI0042776	20	140322261	OR 2050 IN EPDM	FROM S/N.9006PRI0042776
21	11005462	TUBO SILICONE NERO 3,5X6 L=50 MM	DA MATR. 9006PRI0042776	21	11005462	BLACK SILICONE TUBE 3,5X6 L=50 MM	FROM S/N.9006PRI0042776
22	11005216	TUBO VENTURI X CAPPUCINAT.C/NT P124 BIA	DA MATR. 9006PRI0042776	22	11005216	WHITE VENTURI TUBE CAPPUC.WITH NT P124	FROM S/N.9006PRI0042776
23	20000710	KIT RICAMBIO CAPPUCINATORE V2 P124	FINO MAT.9006PRI0042775	23	20000710	SPARES KIT FOR CAPPUCINATORE V2 P124	UP TO S/N.9006PRI0042775
	11005293	AS.VALVOLA AUTOCAPPUCINO S/MICRO P124 CON PART. N°09 - 13 - 14 - 15 - 16			11005293	AUTOCAPPUC. VALVE W/O.MICRO P124 ASSY WITH PART. N°09 - 13 - 14 - 15 - 16	

**Saeco** SUP030ADR  
INTERNATIONAL GROUP



**Saeco** SUP030ADR  
INTERNATIONAL GROUP

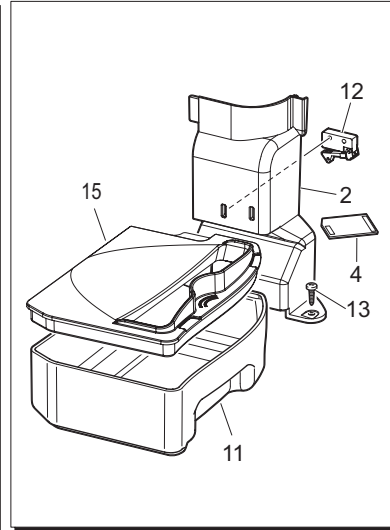
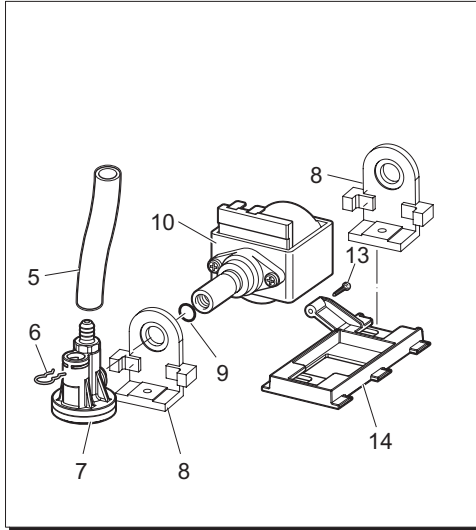
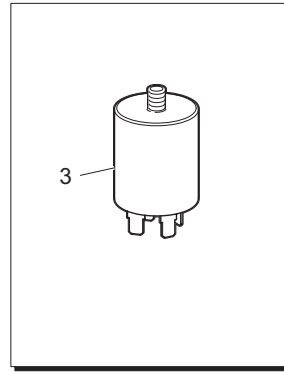
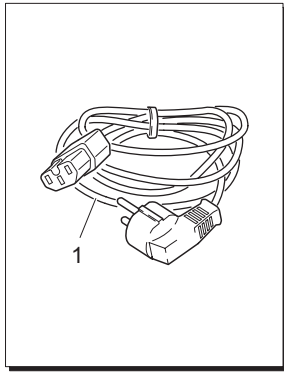


**Cod. 10000100-101-176-177-264-265**  
**290-524-1258-1259-1310-1311-1312**

POS	CODICE	DESCRIZIONE	NOTE
01	11003168	AS.POMELLO REGOL.CREMA P124 CROM/LUC	
02	11005849	CASSETTO RACCOGLI FONDI P124 NERO SER.	
03	129512921	VITE TCB 2,9X12,7 DIN 7981 INOX	
04	11000288	RACCORDO INTERNO X EROG.CAF.P124 NERO	
05	U140.014	PANELVIT TCB 3,5X16 DIN 7505 B ZNP	
06	11003366	AS.COP.ANT.EROG.CAF.P124 CROM/LUC.SER	
07	11000191	GUARNIZ.CONTENIT.CAFFE' GRANI P124 NERO	
08	11000192	TAPPO X CORPO EROGAT.CAFFE' P124 NERO	
09	11002294	COPERCHIO X REGOL.MACINATURA P124 NER.	
10	11001960	COPERT.POST.EROG.CAFFE' P124 CROM/LUC.	
11	11000285	CORPO EROGATORE CAFFE' P124 NERO	
12	11002187	TUBO A T EROGAZIONE LATTE C/NT P124 NERO	
13	11002282	COPERT.ANT.CASS.FONDI P124 VER.MEZZAN.	
	11002281	COPERT.ANT.CASS.FONDI P124 VER.SPECCH.	
14	147472750	PERNO BLOCCAGGIO MOLLA SMART1 DIGIT	
15	11000166	COP.CONT.CAF.GRANI C/GUARN.P124 GRI/NAT	
16	11000061	COP.TRAMOGGIA CAF.MACIN.P124 GRIG/NAT	
17	11000060	TRAMOGGIA DOSE CAF.MACIN. P124 GRI/NAT	
18	11000790	MOLLA X COPER.CONT.CAF.GRANI P124 ACC.	
19	11000048	ANELLO X CONT.CAFFE' GRANI P124 GRI/NAT.	
20	11002278	TASTO SGANC.CONT.CAF.GRA.P124 VER.SPEC.	
	11002280	TASTO SGANC.CONT.CAF.GRA.P124 VER.MEZZ.	
21	11001693	MOLLA X TASTO COPER.CONT.CAF.GRANI P124	
22	11000066	CONTENITORE CAFFE' GRANI P124 NERO	
23	11003040	CILINDRO D=10 X SUPPOR.CONT.ACQUA P124	
24	11002571	ATTUATORE X MICR.APER.COP.CONT.CAF.P124	

POS	CODE	DESCRIPTION	NOTE
01	11003168	CHROM.PLAT.CREAM ADJUST. KNOB P124 AS	
02	11005849	BLACK DUMP BOX P124 SILK/SCREEN	
03	129512921	SCREW TCB 2,9X12,7 DIN 7981 SS	
04	11000288	INTERNAL CONNECTOR FOR COFFEE DISPE.	
05	U140.014	PANELVIT TCB 3,5X16 DIN 7505 B GAL	
06	11003366	FRONT COVER COFFEE DISPENSER P124 AS.	
07	11000191	BLACK BEAN COFFEE CONTAINER SEAL P124	
08	11000192	BLACK CAP COFFEE DISPE.HEAD BODY P124	
09	11002294	BLACK GRINDER REGULATION COVER P124	
10	11001960	CHROM.PLAT.REAR COVER COF.DISPE. P124	
11	11000285	BLACK COFFEE DISPENSER BODY P124	
12	11002187	BLACK MILK DISPENS. TUBE W/OUT NT P124	
13	11002282	MEZZANOT. FRONT DUMP BOX COVER P124	
	11002281	SPECCHIAT. FRONT DUMP BOX COVER P124	
14	147472750	PIN FOR DEADLOCK SPRING SMART1 DIG.	
15	11000166	NATUR/GREY BEAN COFF.CONTAIN. LID P124	
16	11000061	GROUND COF. HOPPER LID NATURAL/GREY	
17	11000060	NATUR/GREY HOPPER FOR POWD. COF. P124	
18	11000790	BEANS COFFEE CONT. COVER SPRING P124	
19	11000048	NATUR/GREY RING FOR BEANS CONT.P124	
20	11002278	SPECCHIATO BUTTON BEANS CONT. P124	
	11002280	MEZZANOTTE BUTTON BEANS CONT. P124	
21	11001693	P124 BEANS CONTAIN. COF. BUTTON SPRING	
22	11000066	BLACK BEAN COFFEE CONTAINER P124	
23	11003040	WATER CONTAINER SUPPORT D=10 CYLIND.	
24	11002571	BEAN COF. CONT.LID MICRO ACTUATOR P124	

**Saeco** SUP030ADR  
INTERNATIONAL GROUP



**Saeco** SUP030ADR  
INTERNATIONAL GROUP

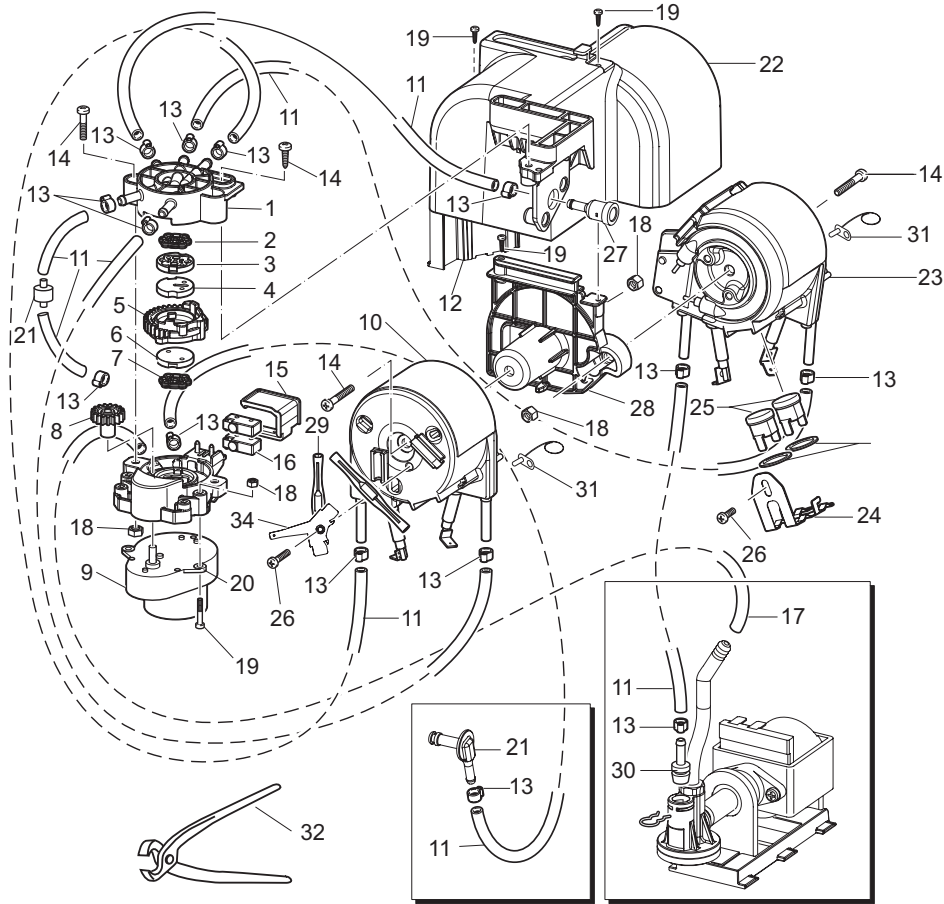


Cod. 10000100-101-176-177-264-265  
290-524-1258-1259-1310-1311-1312

POS	CODICE	DESCRIZIONE	NOTE
01	183911050	CAV.AL.SCHUKO 3X1 H05VV-F NERO L=1200MM	
	183930650	CAVO AL.CH 3X1 H05VV-F NER.L=1200MM	
	183921950	CAVO AL.USA SJT3 UL 16AWG NERO L=1200MM	
	183940650	CAVO AL.AUSTRAL.H05VV-F 3X1 NERO L=1200	
	183980650	CAVO AL.JAP.VCTF 3X2 NERO L=1200 MM	
	11001985	CAVO AL.KOREA VCTF 3X1,25 NERO L=1200MM	
	11004245	CAV .L.BRA.H05VV-F 3X1,5 C/C.NER.L=1200MM	
	11004246	CAV.AL.TAIW. HVCTF 3X2 C/C NERO.L=1200MM	
	11004247	CAVO ALIM.CINA RVV 3X1 C/C.NER.L=1200MM	
02	11000080	SUPPOR.SENSORE VASCA REC.ACQ.P124 NER.	
03	12000005	FILTRO ANTIDIST.10A F.NC.10.05.474.103.P	230V
	12000007	FILTRO ANTIDIST.16A F.NC.16.10.474.472.P	120V
04	11000651	SCHEDA SENSORE CAPACITIVO LIVEL. ACQUA	
05	JS01.022	TUBO SILICONE 5X10 60 SHORE MATASSA	
06	9011.144	FORCELLA X TUBO D.4	
07	229452100	AS.VALVOLA DI COMPENS.E SICUREZZA 16BAR	
08	11001302	INSERTO X SUPPORTO POMPA P124 NERO	
09	140321961	OR 2031 IN TERMOIL	
10	12000140	POMPA ULKA EP5/S GW	230V-50HZ
	12000130	POMPA ULKA EP5/S GW	100V-50/60HZ
	12000131	POMPA ULKA EP5/S	120V-60HZ
	12000167	POMPA ULKA EP5/S GW	240V-50HZ
	12000182	POMPA ULKA EP5/S GW	220V-60HZ
11	11000277	VASCA INTERNA RECUPERO ACQUA P124 NER	
12	11000664	AS.MICRO.PRES+LIVEL.VASCA INTERNA P124	230V
	11004472	AS.MICRO.PRESENZ+LIVEL.VASCA INT.P124 UL	120V
13	U140.014	PANELVIT TCB 3,5X16 DIN 7505 B ZNP	
14	11000063	SUPPORTO POMPA X P124 NERO	
15	11002466	COPERCH VASCA INT.REC.ACQUA P124 NER	

POS	CODE	DESCRIPTION	NOTE
01	183911050	POWER CABLE SCHUKO BLACK L=1200	
	183930650	PO.CABL.CH BLACK 3X1 H05VV-F L=1200	
	183921950	POWER CABLE SJT3 USA BLACK UL L=1200	
	183940650	BLACK POW.CABLE AUST.3X1 H05VV F L=1200	
	183980650	POWER CABL.JAPPON VCTF BLACK L=1200	
	11001985	BLACK POWER CABLE KOREA 3X1,25 L=1200	
	11004245	BLACK POW.CABLE BRAZIL W/CONEC.L=1200	
	11004246	BLACK POW.CABLE TAIWAN HVCTF L=1200	
	11004247	BLACK POW.CABLE RVV 3X1 CHINA L=1200	
02	11000080	SUPPORT FOR SENS. FOR DRIP TRAY P124	
03	12000005	ANTIDISTURB FILTER 10A FNC 1005474103P	230V
	12000007	ANTIDISTURB FILTER 16A FNC 1610474472P	120V
04	11000651	WATER LEVEL SENSOR BOARD P124	
05	JS01.022	SILICONE TUBE 5X10 60 SHORE ROLL	
06	9011.144	FORK FOR TUBE D.4	
07	229452100	COMPENSATION AND SAFETY VALVE ASSY	
08	11001302	BLACK INSERT FOR PUMP SUPPORT P124	
09	140321961	OR 2031 IN TERMOIL	
10	12000140	ULKA PUMP EP5/S GW	230V-50HZ
	12000130	ULKA PUMP EP5/S GW	100V-50/60HZ
	12000131	ULKA PUMP EP5/S	120V-60HZ
	12000167	ULKA PUMP EP5/S GW	240V-50HZ
	12000182	ULKA PUMP EP5/S GW	220V-60HZ
11	11000277	BLACK INTERNAL DRIP TRAY P124	
12	11000664	MICROS.PRESENCE+LEV.INT.BOX ASSY.P124	230V
	11004472	MICRO.PRESENCE+LEV.INT.BOX P124 UL AS.	120V
13	U140.014	PANELVIT TCB 3,5X16 DIN 7505 B GAL	
14	11000063	BLACK PUMP SUPPORT P124	
15	11002466	BLACK INTERNAL DRIP TRAY LID P124	

**Saeco** SUP030ADR  
INTERNATIONAL GROUP



**Saeco** SUP030ADR  
INTERNATIONAL GROUP



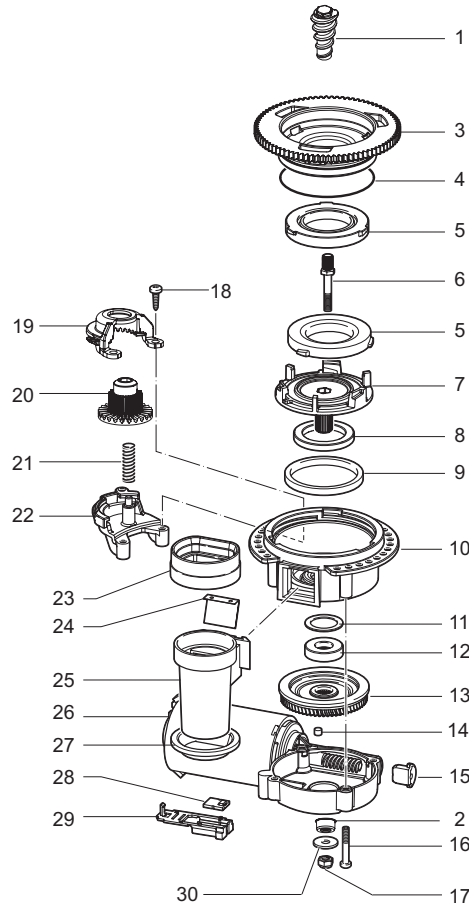
**Cod. 10000100-101-176-177-264-265**  
**290-524-1258-1259-1310-1311-1312**

POS	CODICE	DESCRIZIONE	NOTE
01		PARTICOLARE NON DISPONIBILE	VEDI ASS. MULTIVALV.
02		PARTICOLARE NON DISPONIBILE	VEDI ASS. MULTIVALV.
03		PARTICOLARE NON DISPONIBILE	VEDI ASS. MULTIVALV.
04		PARTICOLARE NON DISPONIBILE	VEDI ASS. MULTIVALV.
05		PARTICOLARE NON DISPONIBILE	VEDI ASS. MULTIVALV.
06		PARTICOLARE NON DISPONIBILE	VEDI ASS. MULTIVALV.
07		PARTICOLARE NON DISPONIBILE	VEDI ASS. MULTIVALV.
08		PARTICOLARE NON DISPONIBILE	VEDI ASS. MULTIVALV.
09		PARTICOLARE NON DISPONIBILE	VEDI ASS. MULTIVALV.
10	282059058	AS.CALD.TUBOL/V3	230V-1100W
	11004366	AS.CALD.TUBOL/V3	120V-1100W
	11004367	AS.CALD.TUBOL/V3	100V-1100W
11	16000190	TUBO SIL.RETINATO 4,2X8,2 REHAU MATASSA	
12	11001765	SUPPOR.CONNETTORI CALDAIA P124 NERO	
13	12000361	FASCETTA OETIKER D=9 16702491	
14	U046.003	VITE TCBC M4,0X12 ROND.DENT.8,5 ZNP	
15	11003069	COPERTURA MICRO VALV.MULTIVIE P124 NERO	
16	12000066	MICROINT.SAIA XCG5-U1Z1 C/ATTUAT.A FUNGO	
17	9972.247	TUBO SILICON.5X10 L=2000MM 60 SHORE	
18	U302.003	DADO ESAGONALE M4 UNI 5588 ZNP	
19	U140.014	PANELVIT TCB 3,5X16 DIN 7505 B ZNP	
20	12000068	AS.MOTORIDUT.SAIA X VALVOL.MULTIVIE P124	
21	20000451	KIT RICAMBIO RACC.LATTE/VAPORE C/NT P124	
22	11000322	COPERTURA ISOLANTE CALDAIA P124/A NERA	230V
	11004326	COPERTURA ISOLANTE CALD. P124/A UL NERA	120V
23	11000671	AS.CALD.TUBOL/V4 C/RES.SUPPL.	230V-1300W
	11004400	AS.CALD.TUBOL/V4 C/RES.SUPPL.	120V-1300W
	11004401	AS.CALD.TUBOL/V4 C/RES.SUPPL.	100V-1300W
24	11000674	MOLLA X TERMOSTATI CALD.TUBOL/V4 ACC.	
25	189428600	TERMOSTATO 175° 1NT-08L-5125	
26	129573202	VITE TCB PH/TT 4X8 UNI 8112 ZNP	
27	11000323	RACCORDO X PERNO CALDAIA P124 NEUTRO	
28	11000321	SUPPORTO CALDAIA P124/A NEUTRO	
29	11000624	AS.CONNET.5POLI ALIMENTAZ.CALDAIE P124/A	230V
	11004477	AS.CONN.5POL.ALIMENTAZ.CALDAIE P124/A UL	120V
30	11000750	RAC.ADATTATORE FAST LOCK TUB.SIL.4,2X8,2	
31	12000081	SENSORE TEMPERATURA NTC UL	
32	12000404	PINZA OETIKER COD.FORN.14100082	
33	12000097	VALV.NON RITORNO PRESBL. RVNRPH0505/SA	
34	11000672	MOLLA X TERMOFUSIBILI CALD.TUBOL/V3 ACC.	
	20000456	KIT RICAMBIO VALV.MULTIVIE C/TUBI P124/A CON PART. N°01-02-03-04-05-06-07-08-09-11-13 14-15-16-17-18-19-20-21	

POS	CODE	DESCRIPTION	NOTE
01		PARTICULAR NOT AVAILABLE	SEE SPARES KIT VALVE
02		PARTICULAR NOT AVAILABLE	SEE SPARES KIT VALVE
03		PARTICULAR NOT AVAILABLE	SEE SPARES KIT VALVE
04		PARTICULAR NOT AVAILABLE	SEE SPARES KIT VALVE
05		PARTICULAR NOT AVAILABLE	SEE SPARES KIT VALVE
06		PARTICULAR NOT AVAILABLE	SEE SPARES KIT VALVE
07		PARTICULAR NOT AVAILABLE	SEE SPARES KIT VALVE
08		PARTICULAR NOT AVAILABLE	SEE SPARES KIT VALVE
09		PARTICULAR NOT AVAILABLE	SEE SPARES KIT VALVE
10	282059058	ALUM.BOILER/V3 ASSY.	230V-1100W
	11004366	ALUM.BOILER/V3 ASSY.	120V-1100W
	11004367	ALUM.BOILER/V3 ASSY.	100V-1100W
11	16000190	4.2X8,2 SILICON TUBE IN ROLL	
12	11001765	BLACK BOILER CONNECTORS SUPPORT P124	
13	12000361	OETIKER CLAMP D=9 16702491	
14	U046.003	SCREW TCBC M4,0X12 INDENT. WASH.8	
15	11003069	BLACK COVER FOR VALVE MICROWIT. P124	
16	12000066	MICROSWITCH SAIA XCG5-U1Z1	
17	9972.247	SILICONE TUBE 5X10 L.2000 MM	
18	U302.003	NUT HEXAGONAL M4 UNI 5588	
19	U140.014	PANELVIT TCB 3,5X16 DIN 7505 B GAL	
20	12000068	RATIOMOTOR AS.FOR P124 MULTIWAY VALVE	
21	20000451	SPARES KIT FOR CONNec. MILK/STEAM P124	
22	11000322	BLACK INSULATING COVER BOILER P124/A	230V
	11004326	BLACK INSULATING COVER BOILER P124/A UL	120V
23	11000671	ALUM.BOILER/V4 ASSY.	230V-1300W
	11004400	ALUM.BOILER/V4 WITH RES.120V AS.	120V-1300W
	11004401	ALUM.BOILER/V4 WITH RES.120V AS.	100V-1300W
24	11000674	THERMOSTATES SPRING FOR BOILER	
25	189428600	THERMOSTAT 175° 1NT-08L-5125	
26	129573202	SCREW TCB PH/TT 4X8 UNI 8112 ZNP	
27	11000323	BOILER PIN CONNECTOR P124	
28	11000321	BOILER SUPPORT P124/A	
29	11000624	5POLES CONNECT. SUPPLY BOILERS P124/A	230V
	11004477	5POLES CONNECT.SUPPLY BOIL. P124/A UL	120V
30	11000750	ADAPTER CONNECT.FOR 4,2X8,2 SILIC.TUB.	
31	12000081	TEMPERATURE SENSOR NTC UL	
32	12000404	FAN FOR HPDS/2-B 12V	
33	12000097	ONEWAY VALV. PRESBLOCK RVNRPH0505/SA	
34	11000672	FUSES SPRING FOR BOILER	
	20000456	SPARES KIT FOR VALVE P124/A WITH PART. N°01-02-03-04-05-06-07-08-09-11	

**Saeco** SUP030ADR  
INTERNATIONAL GROUP





**Saeco** SUP030ADR  
INTERNATIONAL GROUP

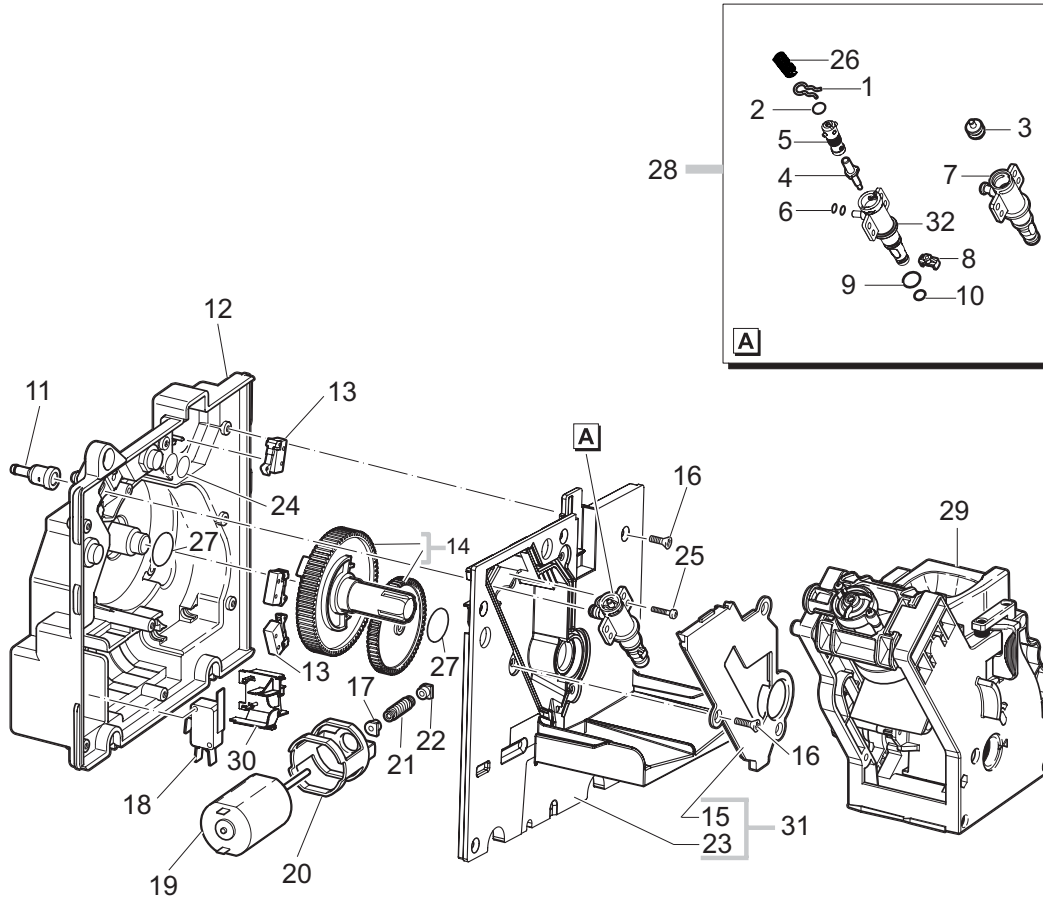


Cod. 10000100-101-176-177-264-265  
290-524-1258-1259-1310-1311-1312

POS	CODICE	DESCRIZIONE	NOTE
01	9141.001	VITE DI INCREMENTO	
02	11002873	BOCCOLA ISOLANTE X MOTORE MC P124 NER	
03	149198250	SUPPORTO SUP.MACINA MACINACAF./V3 NER	
04	140328960	OR METRICO 0530-15 IN NBR FDA	
05	146520100	MACINA KLAGER 48X28 IN CERAMICA	
06	127473603	PERNO M4-M6 X VITE DI INCREMENTO AC/ZINC.	
07	149198350	SUPPORTO INF.MACINA MACINACAFFE/V3 NER	
08	123030300	CUSCINETTO ASSIALE EKKO 342.35252	
09	140360500	ANELLO IN FELTRO DE=45,4 DI=39,4H=4	
10	142905450	CORPO SUP.C/USCITA CAF.MACINATO MC NER	
11	128381800	RONDELLA DI BILANCIAMENTO 21,8X14X0,25	
12	123030200	CUSCINETTO RADIALE 61900.2RS1	
13	226000300	AS.ING.SX Z=38 X MOVIM.MACINA C/CALAMITA	
14	122100300	CALAMITA X VENTOLA TURBINA	
15	149214800	TAPPO CENTRAG.VITE S/FINE MOD=1,25 MC/V3	
16	129661702	VITE PANELVIT TCB 3,5X30 D.7505 ZNP	
17	123453102	DADO AUTOBLOC.M4 DIN982 TYP ALTO ZN	
18	129660102	VITE PANELVIT TCB 3,5X18 D.7505 ZNP	
19	11002508	SUPPOR.SUP.INGR.REGOL.MACINAT.P124 NER	
20	11002509	INGRAN.Z=14-24 REGOL.MACIN.CAF.P124 NERO	
21	11002572	MOLLA X REGOLAZ.MACINACAFFE' P124 ACC.	
22	11002613	SUPPOR.INF.INGR.REGOL.MACINAT.P124 NERO	
23	145854360	GUARN.SUP.CONT.CAFFE' MACINATO SMART1	
24	129024921	SQUADRETTA X CONVOGLIATORE USCITA CAF.	
25	222870250	AS.CONVOGL.USCITA CAF. MACINATO SMART1	
26	11004354	AS.MOTORE MC/V3.1 MOD=1,25 SX IME	230V
	11004409	AS.MOTORE MC/V3.1 MOD=1,25 SX IME	120V
	11004410	AS.MOTORE MC/V3.1 MOD=1,25 SX IME	100V
27	145854462	GUARNIZ.INF.CONT.CAFFE' MACINATO SMART1	
28	181540900	BAS.ELET.C/SENSORE HAL 506 SF-K C/CONNET	
29	149199050	SUPPORTO SENSORE TERMICO X MOTORE MC	
30	128381902	RONDEL.PIANA DI=4,3 DE=14 SP=1,5 AC/ZINC	
	11000676	AS.GEN.MOTORE MACINACAFFE' P124 230V	
	11004442	AS.GEN.MOTORE MACINACAFFE' P124 120V	
	11004444	AS.GEN.MOTORE MACINACAFFE' P124 100V	

POS	CODE	DESCRIPTION	NOTE
01	9141.001	SCREW OF INCREMENT	
02	11002873	INSULATOR BUSH FOR GRINDER MOT. P124	
03	149198250	UPPER GRINDER SUPPORT COFFEEGRIND.	
04	140328960	NBR FDA OR METRIC 0530-15	
05	146520100	BAKED CLAY KLAGER GRINDER 48X28	
06	127473603	STEEL PIN M4-M6 FOR INCREMENT SCREW	
07	149198350	LOWER GRINDER SUPPORT COFFEEGRIND.	
08	123030300	AXIAL BEARING EKKO 342.35252	
09	140360500	FELT RING 45,4X39,4X4	
10	142905450	UPPER BODY WITH COFFEE.GROUND OUTLET	
11	128381800	CRINKLE WASHER 21,8X15,8X0,2	
12	123030200	RADIAL BEARING 61900.2RS1	
13	226000300	GEAR SX Z=38 FOR GRINDER MOTION ASSY.	
14	122100300	MAGNET FOR TURB. FAN	
15	149214800	CAP FOR WORM SCREW MC/V3 CENTRING	
16	129661702	PANELVIT TCB SCREW 3,5X25 D.7505 ZN	
17	123453102	SELF LOCK NUT M4 DIN 982 HIGH GALV.	
18	129660102	PANELVIT TCB SCREW 3,5X18 D.7505 Z	
19	11002508	UPPER GEAR SUPPORT COFFEEGRIND. P124	
20	11002509	COFFEE GRINDING ADJUSTMENT GEAR P124	
21	11002572	GRINDER REGULATION SPRING P124	
22	11002613	LOWER GEAR SUPPORT COFFEEGRIND. P124	
23	145854360	GROUND COFFEE CONT.SEAL UPP. SMART1	
24	129024921	BRACKET FOR COFFEE OUTLET CONVEYOR	
25	222870250	GROUND COFFEE OUTLET CONVEYOR ASSY.	
26	11004354	MOTOR COFFEEGRINDER/V3.1 IME ASSY.	230V
	11004409	MOTOR COFFEEGRINDER/V3.1 IME ASSY.	120V
	11004410	MOTOR COFFEEGRINDER/V3.1 IME ASSY.	100V
27	145854462	GROUND COF. CONT.SEAL LOWER SMART1	
28	181540900	ELECTRONIC BOARD WITH SENSOR HAL506	
29	149199050	SENSOR SUPPORT FOR COFF.GRIND.MOTOR	
30	128381902	GALVAN.FLAT WASH.DI=4,3 DE=14 SP=1,5	
	11000676	GENERAL MOTOR MC ASSY P124 230V	
	11004442	GENERAL MOTOR MC P124 120V ASSY.	
	11004444	GENERAL MOTOR MC P124 100V ASSY.	

**Saeco** SUP030ADR  
INTERNATIONAL GROUP



**Saeco** SUP030ADR  
INTERNATIONAL GROUP



**Cod. 1000100-101-176-177-264-265**  
**290-524-1258-1259-1310-1311-1312**

POS	CODICE	DESCRIZIONE	NOTE
01	9011.144	FORCELLA X TUBO D.4	FINO MAT.9006PRI0044803
02	140324459	OR METRICO 0060-20 SILICON.PTFE/FDA	
03	11000692	TAPPO X PERNO CALDAIA P119 OTTONE NIK.	FINO MAT.9006PRI0044803
04	227660103	AS.PISTONCINO C/GOLA L=20,9 OTT/NIK	
05	11003820	TAPPO V2 X PERNO CALDAIA P119	DA MATR. 9006PRI0044804
06	140328059	OR 2015 IN SILICONE PTFE/FDA	
07	147473300	PERNO X CALDAIA P119	FINO MAT.9006PRI0044803
08	9011.099	CURSORE X VALV.CALDAIA IN PLASTICA	FINO MAT.9006PRI0044803
	11005099	CURSORE V2 X CALDAIA P119	DA MATR. 9006PRI0044804
09	NM01.035	OR ORM 0090-20 SILICONE	
10	NM01.057	OR ORM 0050-20 SILICONE	
11	11000323	RACCORDO X PERNO CALDAIA P124 NEUTRO	
12	11000688	AS.PIAST.DI MONTAG.MOTORID.C/PERNO P124	
13	NE05.038	MICROINTERRUTTORE	
14	20000455	KIT RICAMBI INGRANAGGI MOTORIDUTT.P124	
15	142856550	COPERTURA VANO CALDAIA P119 NERA	DA MATR. 9006PRI0035043
16	129914102	VITE TORX K 35X12 WN 1423 ZINCATA PARTICOLARE NON DISPONIBILE	VEDI PART. N°19
17			
18	186724200	MICROINTERRUTTOR. SAIA X3M502K2KAJ32AV	
19	11005213	AS.MOTORE X MOTORIDUTTORE C/COND.SME	
20	9121.044	ANTIVIBRANTE X MOTORE PARTICOLARE NON DISPONIBILE	VEDI PART. N°19
21			
22	9121.046	BOCCOLA SINTERIZZATA X MOTORE	
23	11001966	COPERTURA PIASTRA MONTAG. P124 NERO	DA MATR. 9006PRI0035043
24	140325462	OR METRICO 0070-20 IN SILICONE	
25	U109.040	VITE AUT.TCB 3,9X32 DIN 7981 C NIK	
26	9011.132	MOLLA X SPILLO	
27	9161.132	RONDELLA MYLAR X MOTORIDUTTORE	
28	11005060	AS.PERNO V2 X CALDAIA P119	
29	11002145	GRUPPO CAFFE' P124/SBS 8GR.NERO	
		<b>VEDI COD. ESPLOSO E90042</b>	
30	11002385	SUPPOR.MICRO CASSET.RACCOG. FOND. P124	
31	20000821	KIT RICAMB.COPERT.PIASTRA MONTAG. P124	FINO MAT.9006PRI0035042
32	11003801	PERNO V2 X CALDAIA P119	DA MATR. 9006PRI0044804

POS	CODE	DESCRIPTION	NOTE
01	9011.144	FORK FOR TUBE D.4	UP TO S/N.9006PRI0044803
02	140324459	OR METRICO 0060-20 SILICON.PTFE/FDA	
03	11000692	NIKELED BRASS CAP FOR PIN BOILER P119	UP TO S/N.9006PRI0044803
04	227660103	BRASS PISTON L=20,9 ASSY.	
05	11003820	CAP V2 FOR PIN BOILER P119	FROM S/N.9006PRI0044804
06	140328059	OR 2015 IN SILICONE PTFE/FDA	
07	147473300	PIN FOR BOILER P119	UP TO S/N.9006PRI0044803
08	9011.099	M CURSOR FOR BOILER VALVE IN PLASTIC	UP TO S/N.9006PRI0044803
	11005099	CURSORE V2 FOR BOILER P119	FROM S/N.9006PRI0044804
09	NM01.035	OR ORM 0090-20 SILICONE	
10	NM01.057	OR ORM 0050-20 SILICONE	
11	11000323	BOILER PIN CONNECTOR P124	
12	11000688	MOUNTING PLATE ASSY.WITH PIN P124	
13	NE05.038	MICROSWITCH	
14	20000455	SPARES KIT GEARS FOR RATIOMOTOR P124	
15	142856550	BLACK COVER FOR VAIN BOILER P119	FROM S/N.9006PRI0035043
16	129914102	SCREW K 35X12 WN 1423 GALVANIZED PARTICOLARE NOT AVAILABLE	SEE PART. N°19
17			
18	186724200	MICROSWITCH SAIA X3M502K2KAJ32AV	
19	11005213	SME MOTOR FOR RATIOMOTOR ASSY.	
20	9121.044	ANTIVIBRATION FOR MOTOR PARTICOLARE NOT AVAILABLE	SEE PART. N°19
21			
22	9121.046	SINTERED BUSH FOR MOTOR	
23	11001966	BLACK COVER FOR MOUNTING PLATE P124	FROM S/N.9006PRI0035043
24	140325462	OR METRIC 0070-20 IN SILICONE	
25	U109.040	SCREW AUT.TCB 3,9X32 DIN 7981 C	
26	9011.132	SPRING FOR PIN	
27	9161.132	MYLAR WASHER FOR RATIOMOTOR	
28	11005060	PIN V2 FOR BOILER P119 ASSY.	
29	11002145	BLACK BREW UNIT 8GR. P124/SBS	
		<b>SEE COD. EXP. E90042</b>	
30	11002385	MICROSWITCH FOR DUMP BOX SUP. P124	
31	20000821	SPARES KIT FOR COVER MOUNT. PLATE P124	UP TO S/N.9006PRI0035042
32	11003801	PIN V2 FOR BOILER P119	FROM S/N.9006PRI0044804

**Saeco** SUP030ADR  
INTERNATIONAL GROUP