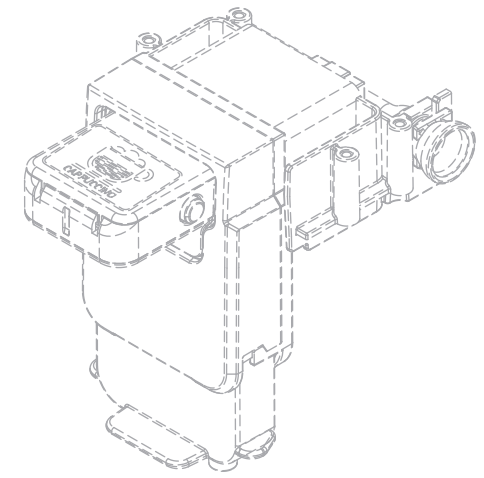
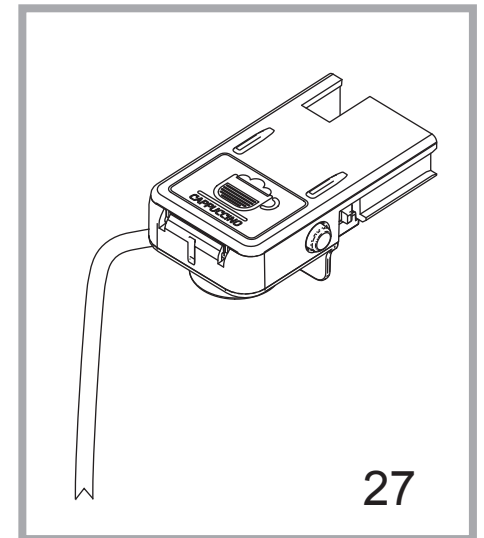
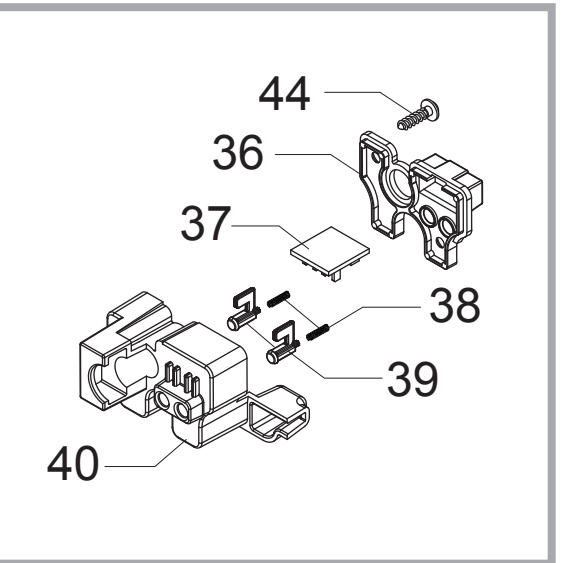
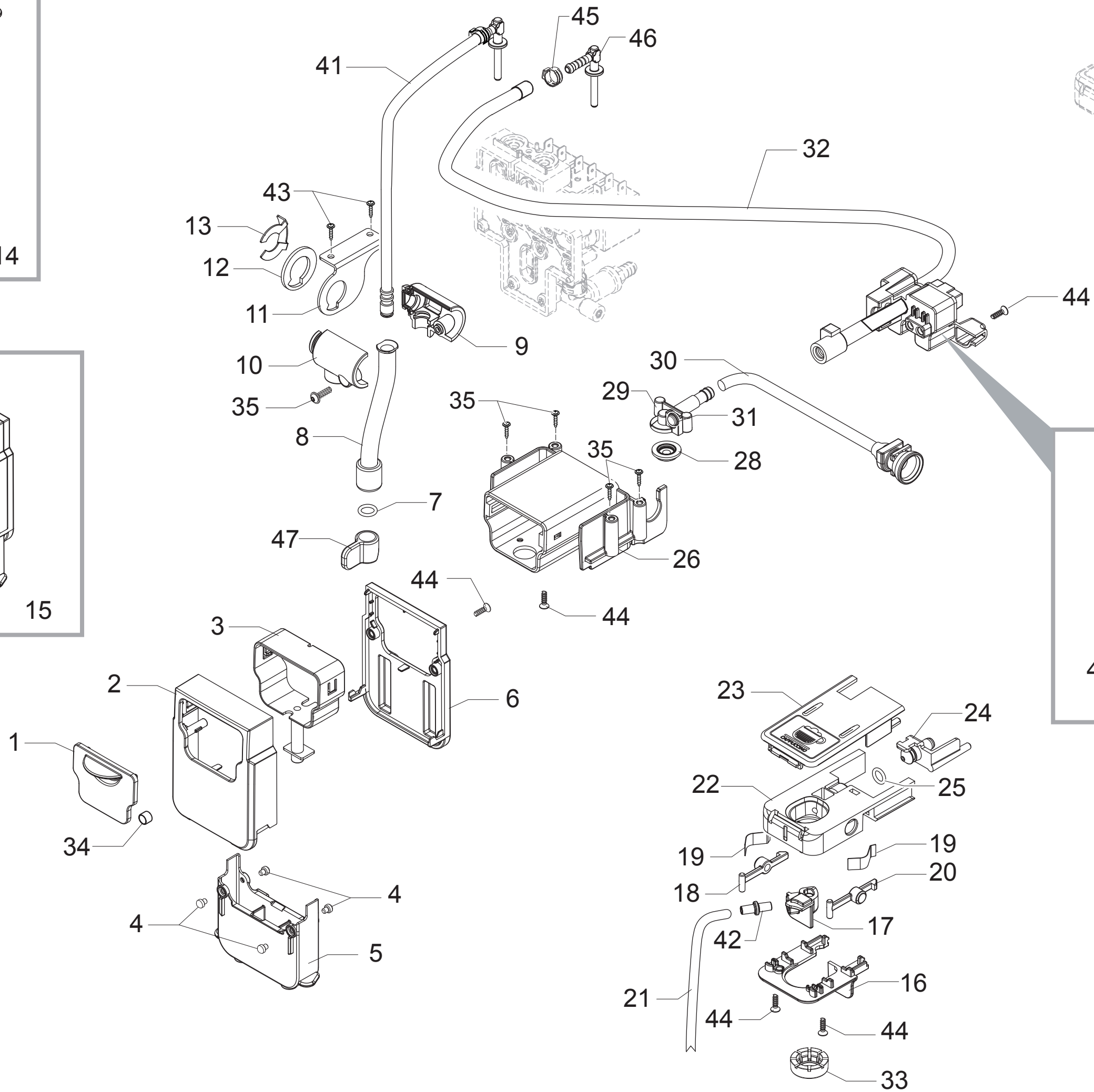
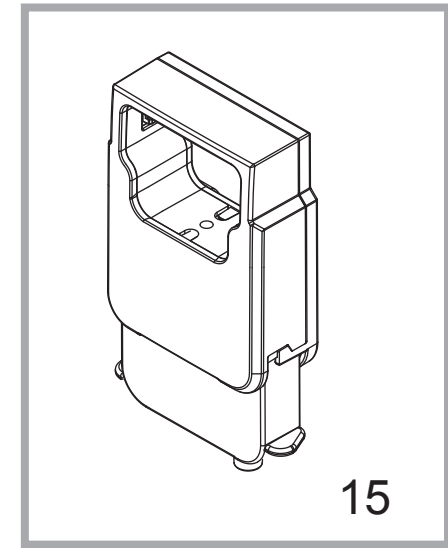
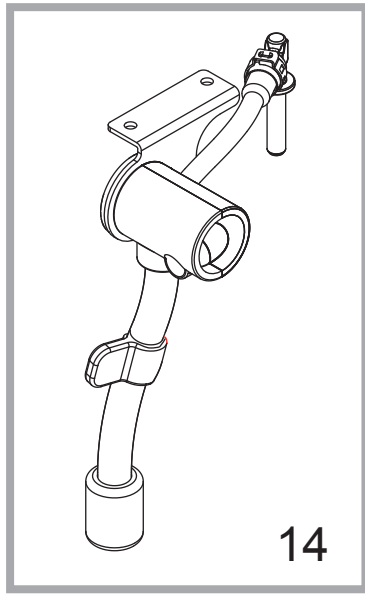
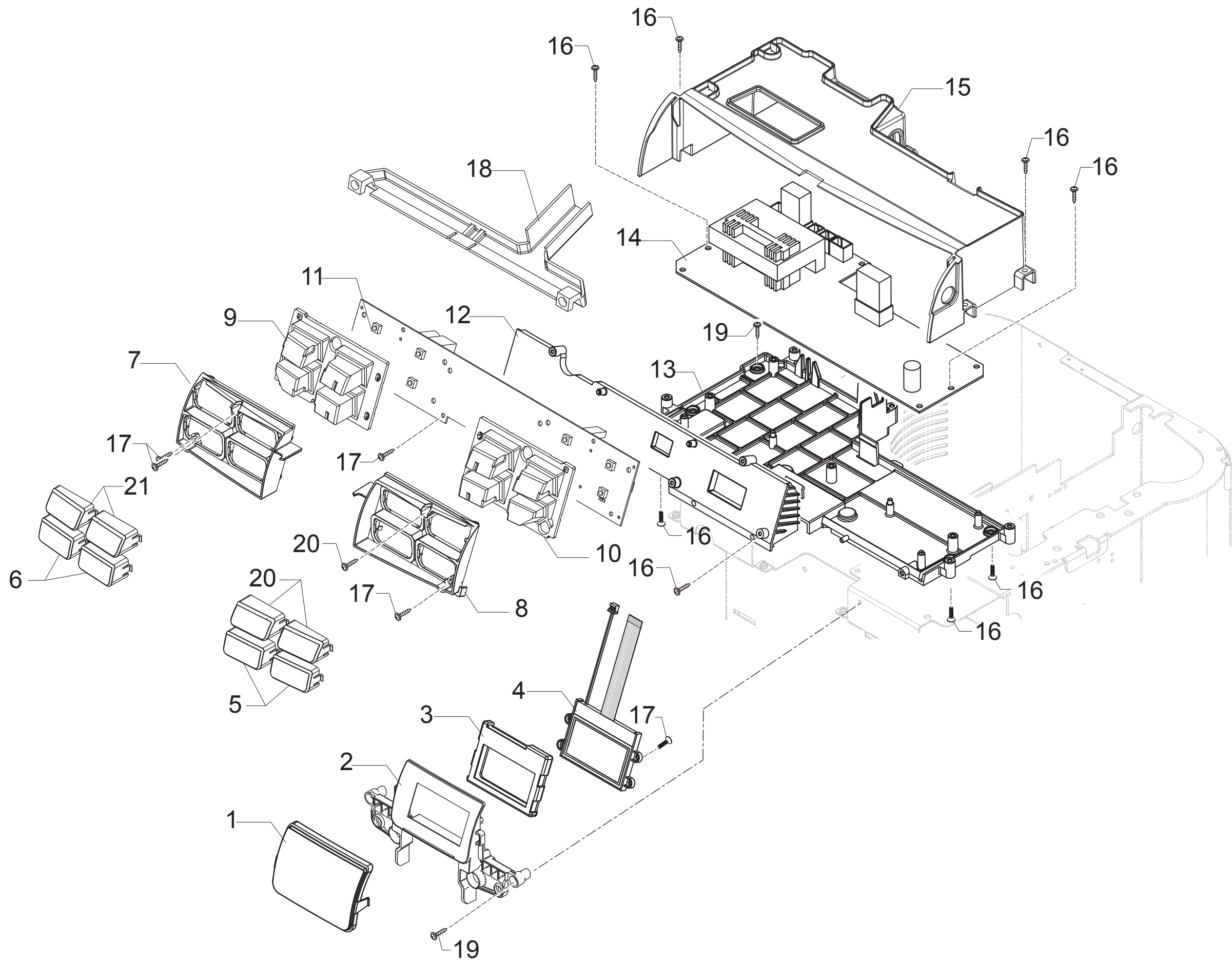


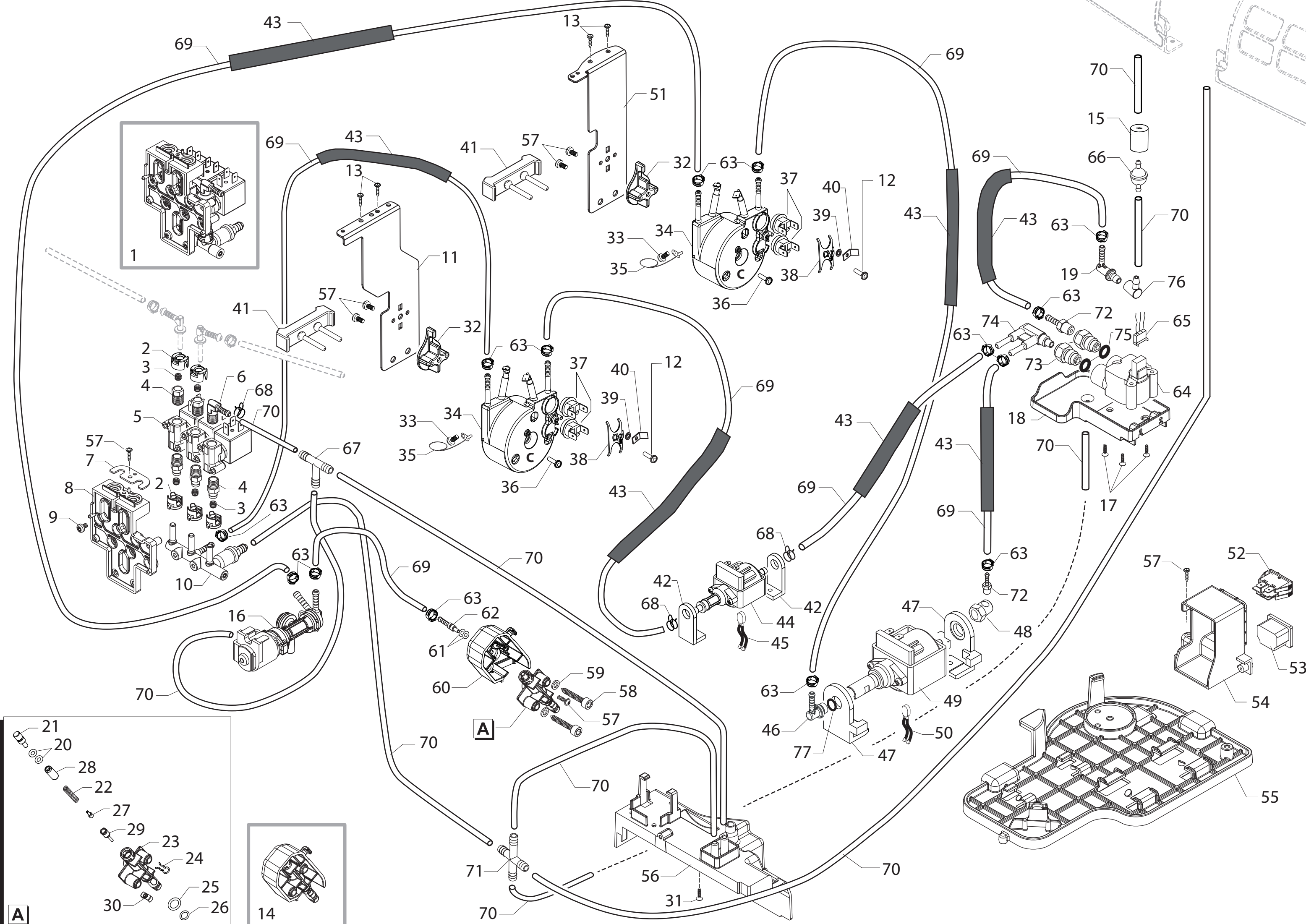
Pos	Article-Nr.	Description	Pos	Article-Nr.	Description
1	15002811	LIB.IST.SAE SUP040R RYLO IT	36	0333.037	STAFFA SERRATURA ZINCATA BIANCA
1	15002812	LIB.IST.SAE SUP040R RYLO GB	37	21002053	ACC PSA DESCALER 1U ROW
1	15002813	LIB.IST.SAE SUP040R RYLO DE	38	13001328	SCAT.EST.BIA.RYLO SAE
1	15002814	LIB.IST.SAE SUP040R RYLO FR			
1	15002815	LIB.IST.SAE SUP040R RYLO ES			
1	15002816	LIB.IST.SAE SUP040R RYLO PT			
1	15002817	LIB.IST.SAE SUP040R RYLO NL			
1	15002818	LIB.IST.SAE SUP040R RYLO SV			
1	15002822	LIB.IST.SAE SUP040R RYLO GR			
1	15003345	LIB.IST.SAE SUP040R RYLO PL			
1	15003346	LIB.IST.SAE SUP040R RYLO RU			
1	15003347	LIB.IST.SAE SUP040R RYLO HU			
1	15003348	LIB.IST.SAE SUP040R RYLO CS			
1	15003349	LIB.IST.SAE SUP040R RYLO SK			
1	15003350	LIB.IST.SAE SUP040R RYLO RO			
1	15003351	LIB.IST.SAE SUP040R RYLO BG			
1	15003922	LIB.IST.SAE SUP040R RYLO RI 17L.			
2	17000736	CHIAVE X MICRO DI SICUREZZA.RYLO ROS.			
3	127390100	PENNELLO PER PULIZIA			
4	11028379	TUBET.KLUBER TRIBOSTAR SIL 2 5GR.PSA			
5	21001404	ACC SAE BRITA UNI.WAT.FILTERX1 EUR-ASIA			
6	0301.961	STICKER TEST DUREZZA ACQUA			
7	183911050	CAVO AL.SCH.3X1 H05VV-F NER.L=1200			
8	17000828	TAPPO FONDO CARC.RYLO NER.			
9	12000895	VITE TSP 3X10 PLAST.INOX			
10	13001327	SCAT.AVANA RYLO SAE AULIKA			
11	11030098	COP.ANT.CARC.RYL/T VERN.CRC			
12	11025857	AS.CARC.RYLO ACC.VERN.NER.			
13	17002048	INS.CHIUSURA LATO SX CARC.V2 RYL/T GRI.			
14	11030103	FRONT.RYLO VERN.CRC			
15	17800519	AS.CONN.3P.SENS.REED CAS.FONDI RYLO UL			
16	13001518	INS.SX SCATOLA RYLO PS-E			
17	13001517	INS.DX SCATOLA RYLO PS-E			
18	11029624	AS.CAS.FONDI RYLO VERN.CRC			
19	NV02.095	SERRATURA SPORTELLA VIRO			
20	129535721	VITE TSP AB 3,5X9,5 LAMIERA INOX			
21	17000829	SUPP.SENS.CONT.CAF.GRA.RYLO NER.			
22	0301.041.150	PIAS.SUPP.GRUP.ROYAL GRI.			
23	0301.020	SPINA SPORT.SUPERAUT.OT/NIK			
24	17001444	SUPP.SENS.CAPACITIVO LIVEL.ACQ.RYLO NER.			
25	0301.019	SPINA SPORT.SUPERAUT.OT/NIK			
26	17001369	INS.CHIUSURA LATO DX CARC.V2 RYL GRI.			
27	17000723	GUIDA CAS.RAC.FONDI RYL GRI.			
28	11003232	AS.CPU+SW SENS.LIVEL.ACQ.V2			
29	17000422	PIAS.INFRAROSSI RYL TRASP.			
30	12000450	VITE TCB 3,5X12 PLAST.ZN-N			
31	20007081	KIT RIC.COP.CARC.RYLO CRC SER.			
32	12001622	VITE TCB B 3,5X9,5 LAMIERA ZN-N			
33	17800254	AS.CONN.2P.LIVELLO VASCA INT.RYL UL			
34	11025819	AS.SPORT.CARC.RYLO ACC.NER.			
35	17000240	INS.PIAS.MONTAG.RYL GRI.			



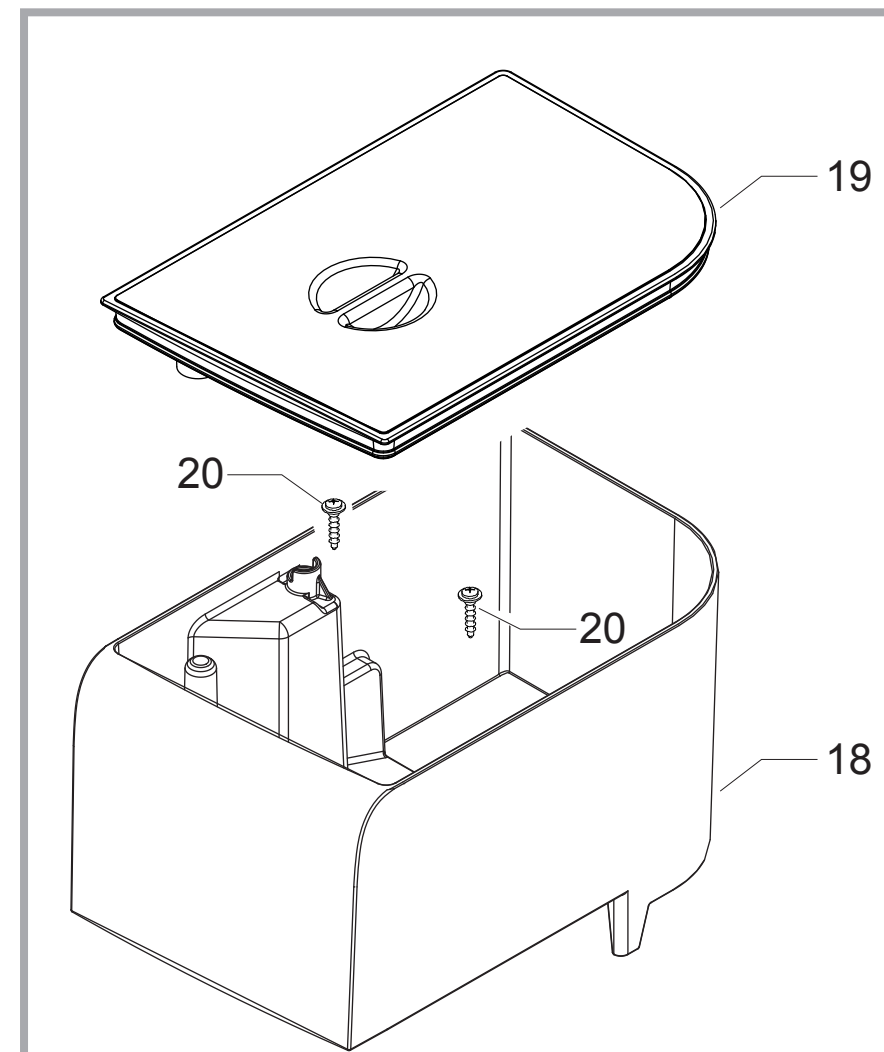
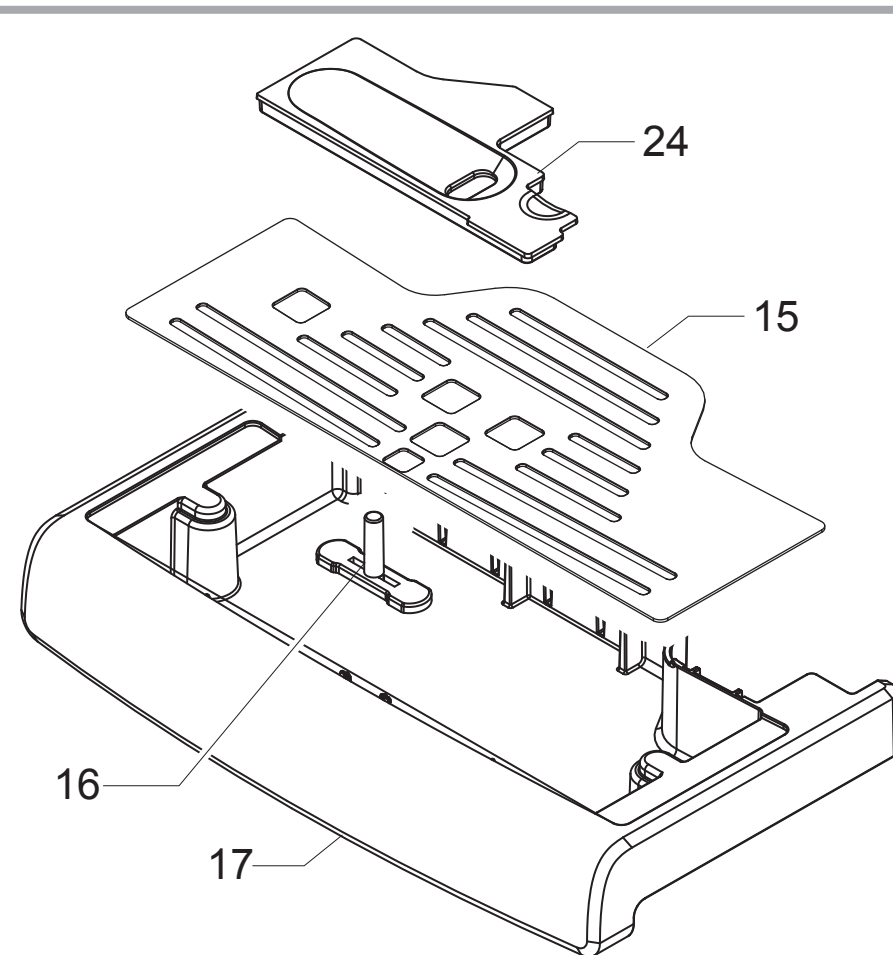
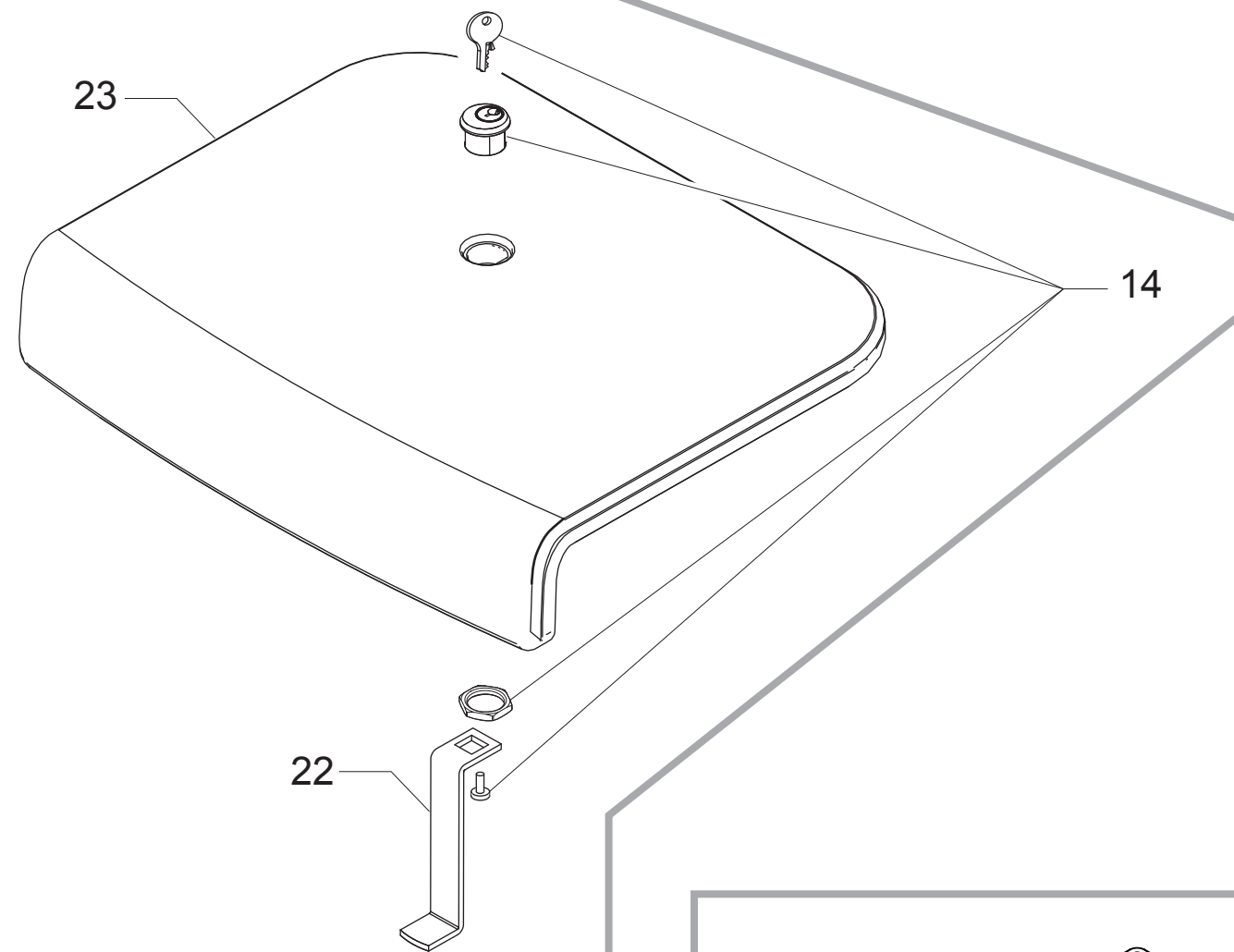
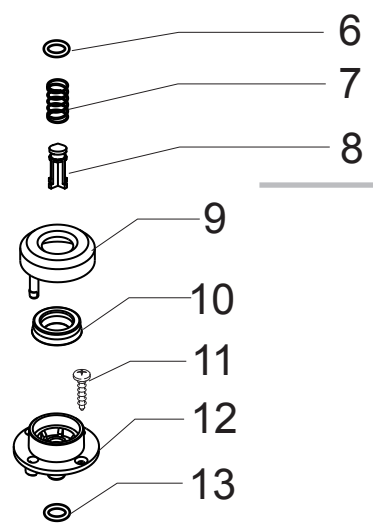
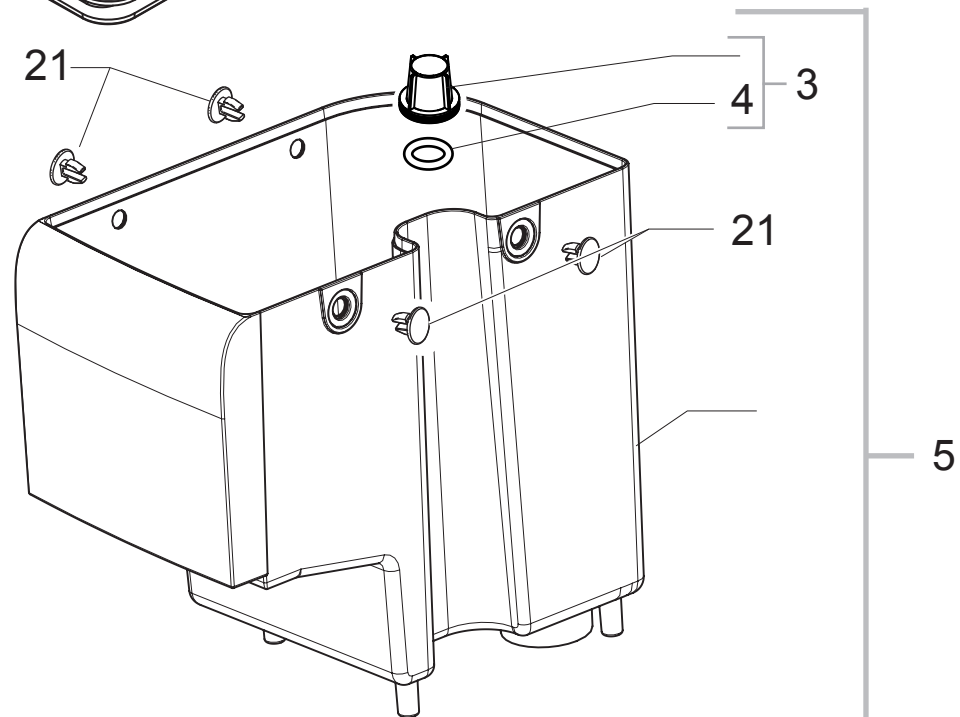
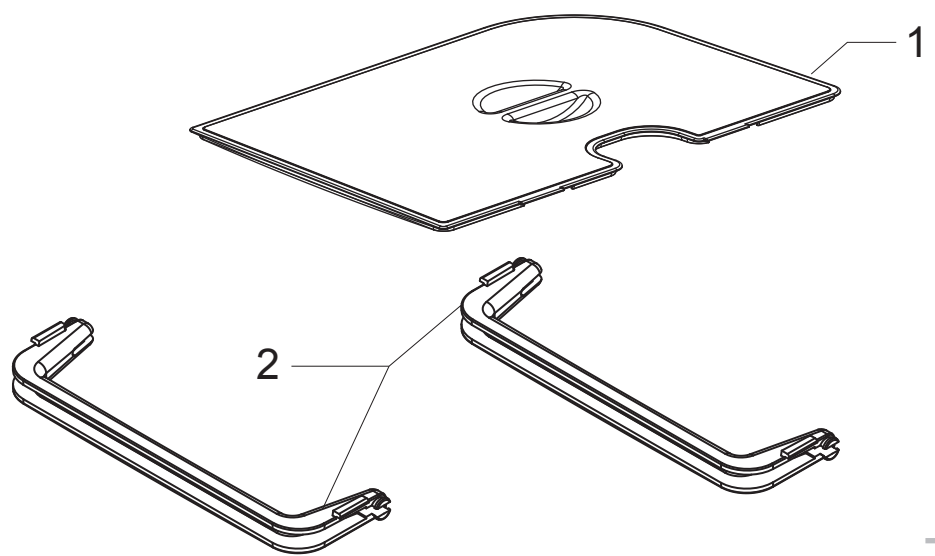
Pos	Article-Nr.	Description	Pos	Article-Nr.	Description
1	11030104	AS.COP.ANT.SUPP.EROG.CAF.RYL/T VERN.CRC			
2	11025756	COP.ANT.EROG.CAF.RYL VERN.SPEC/LUC.			
3	17000251	CORPO INT.EROG.CAF.RYL NER.			
4	11013085	PATTINO EROG.CAF.MYB9 BIA.			
5	17000246	PARTE MOBILE EST.EROG.CAF.RYL NER.			
6	17000248	COP.POS.EROG.CAF.RYL NER.			
7	140321961	OR 2031 TERMOIL			
8	11029670	TUBO VAP.RYLO OT/CROM.TF			
9	17000672	SUPP.POST.TUBO VAP.RYL NER.			
10	17001437	SUPP.ANT.TUBO VAP.RYL NER.			
11	17000815	STAFFA SUPP.TUBO VAP.RYL ACC.			
12	11001624	RONDELLA TUBO VAP.P0049 NER.			
13	NF11.084	MOLLA A FORCELLA ACC.FOSF.			
14	11029649	AS.TUBO VAP.RYLO OT/TEA OT/CROM.TF			
15	11030101	AS.EROG.CAF.RYL CRC			
16	17000390	COP.INF.CAPPUC.RYL NER.			
17	17000336	RAC.TUBO ASPIR.LATTE RYL NEU.			
18	17000389	INS.SX BLOCCAG.CAPPUC.RYL GRI.			
19	17000382	MOLLA INS.BLOCCAG.CAPPUC.RYL INOX			
20	17000402	INS.DX BLOCCAG.CAPPUC.RYL GRI.			
21	11029672	TUBO SILICONE 3,5X6 L=500MM TAGLIO V			
22	17000338	CORPO CAPPUC.INGRES.SX RYL NER.			
23	11030240	COP.SUP.CAPPUC.RYL NER.SER.LASER			
24	17000785	RAC.INGRES.LATTE CAPPUC.RYL NER.			
25	NM01.028	OR 106 SILICONE			
26	17000257	SUPP.EROG.CAF.RYL NER.			
27	11029671	AS.CAPPUC.RYLO NER.SER.			
28	17000337	GUARN.EROG.CAF.RYL NER.			
29	17000616	TUBO EROG.CAF.RYL NER.			
30	17000614	RAC.INGRES.CAF.EROG.RYL NER.			
31	11014016	INS.MAGNETE MYB9 INOX			
32	20007031	KIT RAC.USCITA VAP.CAPPUC.RYL NER.			
33	17000486	RAC.USCITA LATTE CAPPUC.RYL NER.			
34	9161.111	MAGNETE X GALLEGGIANTE SUPERAUT.			
35	12000450	VITE TCBR 3,5X12 PLAST.ZN-N			
36	17000348	COP.SUPP.SCHEDA CAPPUC.RYL NER.			
37	11025772	SCHEDA CAPPUC.RYL			
38	17000019	MOLLA INS.MICRO CARAF.MYB9 ACC.			
39	17000421	INS.PRESENZA CAPPUC.RYL NER.			
40	17000339	SUPP.SCHEDA CAPPUC.RYL NER.			
41	20007030	KIT TUBO USCITA VAP.RYL NER.			
42	17001362	INS.RAC.TUBO ASPIR.LATTE V2 RYL NER.			
43	12001622	VITE TCB B 3,5X9,5 LAMIERA ZN-N			
44	12000895	VITE TSP 3X10 PLAST.INOX			
45	NF11.052	FASCETTA OETIKER			
46	11027337	RAC.TUBO VAP/CAPPUC.V2 RYL OT/TEA			
47	17001574	IMPUGN.TUBO VAP.RYLO NER.			



Pos	Article-Nr.	Description	Pos	Article-Nr.	Description
1	17000269	VETRINO DISPLAY RYL TRASP.			
2	17000259	INS.DISPLAY RYL NER.			
3	17000271	GUARN.DISPLAY RYL NER.			
4	12001779	DISPLAY 160x80 0355DP RYL BIANCO			
5	11030168	COP.TASTIERA INF.DX RYLO CRC+TRA.SER.			
6	11030169	COP.TASTIERA INF.SX RYLO CRC+TRA.SER.			
7	17000831	SUPP.TASTIERA SX RYLO NER.			
8	17000830	SUPP.TASTIERA DX RYLO NER.			
9	17000485	TASTIERA SX RYLO TRASP.			
10	17000484	TASTIERA DX RYLO TRASP.			
11	11027084	AS.CPU+SW RYLO			
12	17000274	SUPP.SCHEDA CPU RYL NER.			
13	17000275	SUPP.SCHEDA PWR RYL NER.			
14	11030311	SCHEDA PWR RYLO 230V			
15	17000277	COP.SCHEDE CPU-PWR RYL NER.			
16	12000450	VITE TCBR 3,5X12 PLAST.ZN-N			
17	129913202	VITE TCB 3X8 PLAST.ZN-B			
18	17001152	PROT.SCHEDA PWR RYL NEU.			
19	12001622	VITE TCB B 3,5X9,5 LAMIERA ZN-N			
20	11025849	COP.TASTIERA SUP.DX RYLO CRC+TRA.SER.			
21	11025850	COP.TASTIERA SUP.SX RYLO CRC+TRA.SER.			

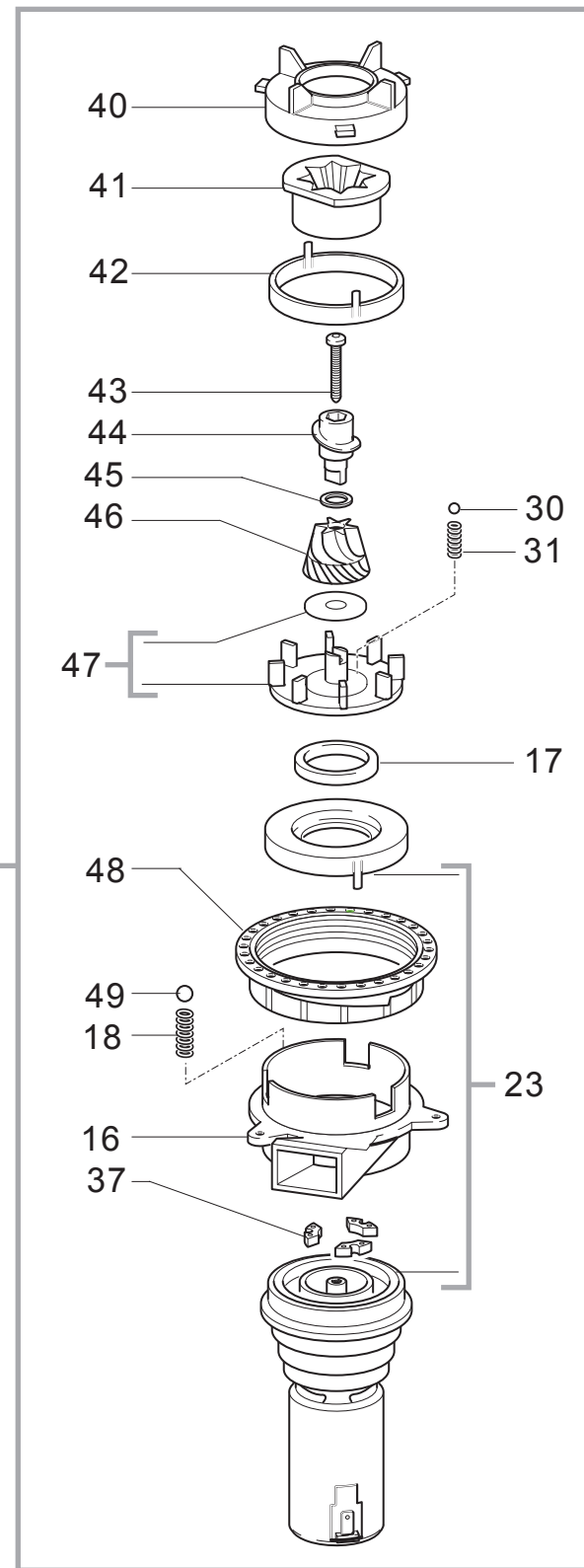
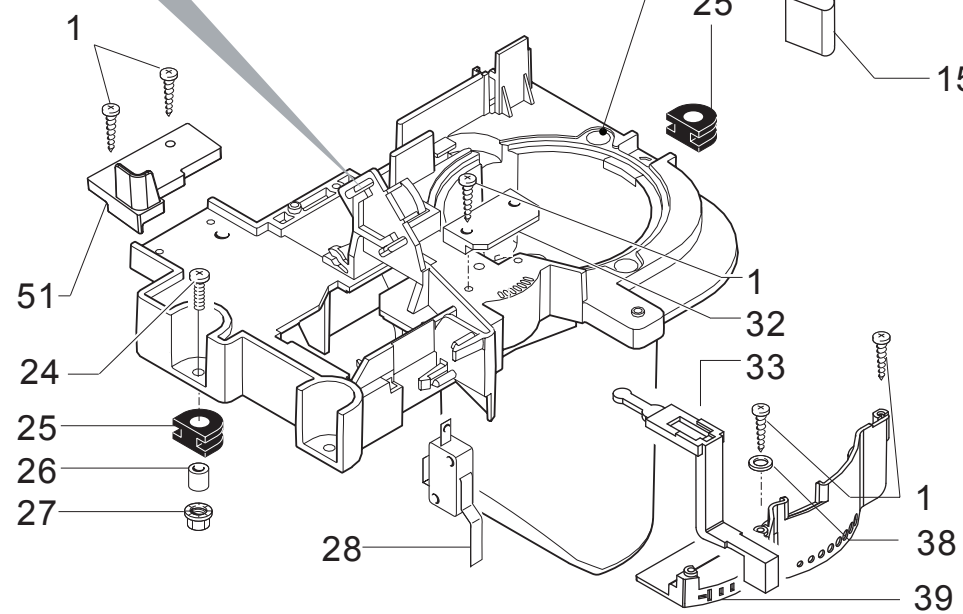
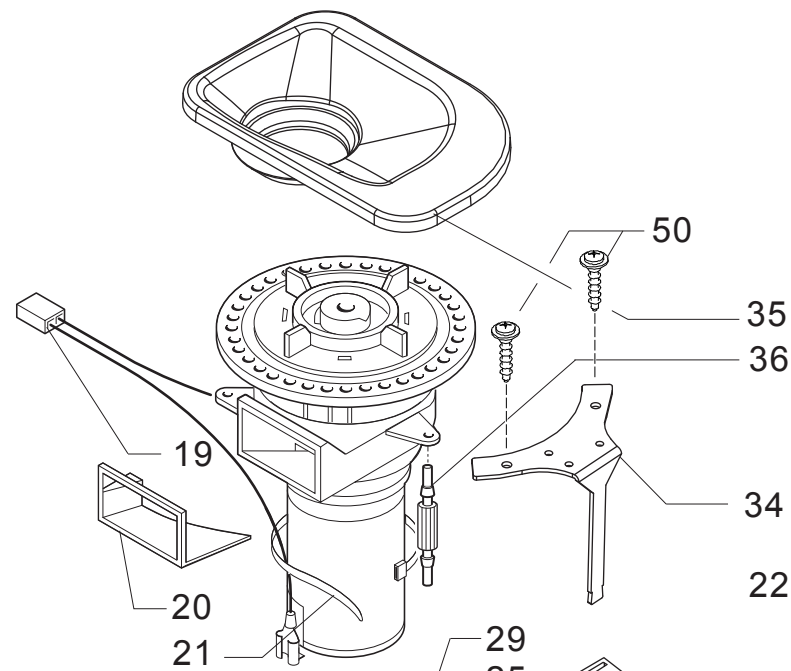
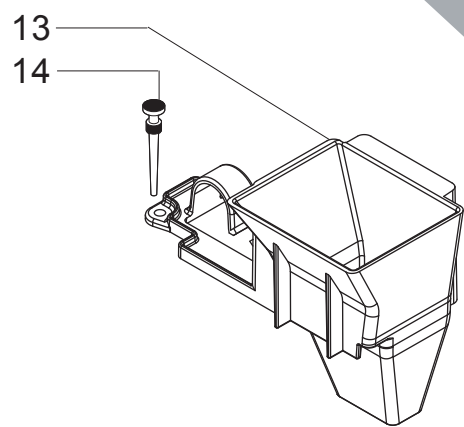
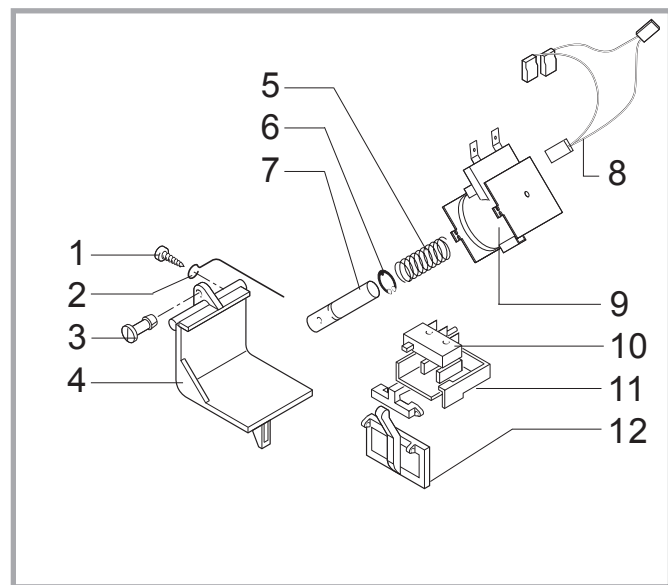
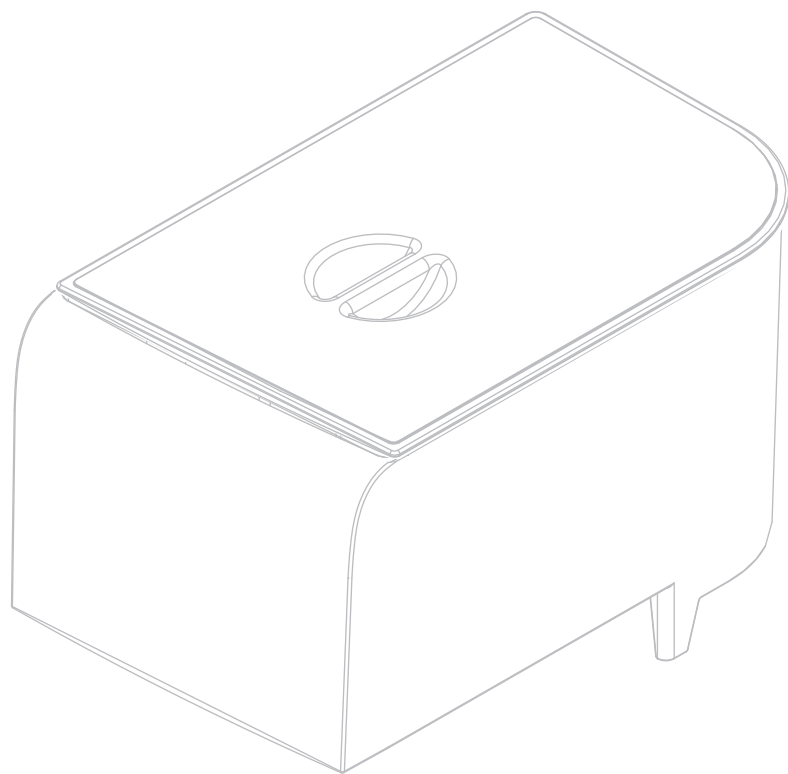


Pos	Article-Nr.	Description	Pos	Article-Nr.	Description
1	11027609	AS.ELETTROVALVOLE V2 RYL/T OT/TEA 24V	52	NE03.038	INT.BIPOL.FUSIT C1250AR
2	17001178	INS.RAC.1/8"GAS ELETTROV.V2 RYL NER.	53	12001883	PRESA A VASCH.C/SMUSSI V3 EN 60320 C 13
3	17001909	GUARN.RAC.1/8"GAS ELETTROV.V2 RYL ROS..	54	17000162	SUPP.PRESA E INTERRUT.RYL NER.
4	11027334	RAC.1/8"GAS ELETTROV.V2 RYL OT/TEA	55	17000973	SUPP.COMPONENTI RYLO NER.
5	11024038	EV 2VIE 21JN1RRV20-XT+LBV05024CU OT.	56	17000165	PROT.VASCA REC.ACQ.RYL NER.
6	11024469	RAC.90°CALD.SIL.TELATO AURA OT/L-F	57	12000450	VITE TCBR 3,5X12 PLAST.ZN-N
7	17000428	PIAS.BLOCCAG.RACCORDI RYL ACC.	58	11003555	VITE TCEI AUTOFILET.4,8X32 ZINC
8	17000168	SUPP.ELETTROV/RAC.3VIE RYL NER.	59	128310521	ROSETTA UNI 8842 A5 INOX
9	U043.012	VITE TCB M4X6 ZN-B	60	17000156	SUPP.PERNO PASS.ACQ.CALDA RYL NER.
10	17001196	AS.RAC.4V.OT+VALV.SIC.5,5-7 B.V2 RYL	61	140328059	OR 2015 SILICONE PTFE/FDA
11	17000166	SUPP.CALD.TUB.VAP.RYL ACC.	62	11000750	RAC.FAST LOCK DIR.TUBO SIL.RETIN.OT/TEA
12	12001715	VITE TCB M4X8 AUTOFORM.S/TEST.DENT.ZN-B	63	12000892	FASCETTA OETIKER D=9,5 16700004
13	12001622	VITE TCB B 3,5X9,5 LAMIERA ZN-N	64	NV99.033	TURBINA DIGMESA IN PLASTICA
14	11025744	AS.PERNO PASS.ACQ.CALDA RYL OT/TEA	65	17800520	AS.CONN.6P.TURBINA RYLO UL
15	147756562	PROTEZ.MOLLA A FORCELLA TUBO D=4 NER.	66	12001595	FILTRO ASPIRAZ.MDS BIA/TRASP.
16	11025742	AS.VALV.SCARICO V3 RYL 230V	67	147920300	RAC.T D=8 ART.80.26.047 KA.461 TRASP.
17	129912104	VITE TCBR 4X10 PLAST.ZN-N	68	184320200	MOLLA STRINGITUBO D=9,5MM ZINC.GIAL/BIA
18	17000821	SUPP.TURBINA RYLO NER.	69	16000380	TUBO SIL.RETIN.5X8,9 MATASSA
19	17001358	RAC.90° CONT.ACQ.E TURBINA RYLO NER.	70	JS01.022	TUBO SILICONE 5X10 60SH IN MATASSA
20	140326662	OR ORM 0040-20 SILICONE	71	12001812	RAC.A CROCE D=8 RYLO TRASP.
21	11026413	TAPPO PERNO PASS.ACQ.CALDA RYL OT/TEA	72	11006304	RAC.DIR.1/8"G.C/RESCA CALD.AL.OT/TEA
22	9011.132	MOLLA PISTONCINO INOX	73	9181.406	RAC.TURBINA MF 1/4 1/8 OT/TEA
23	9161.434	PERNO PASS.ACQ.CALDA NEU.	74	11010243	RAC.90°DOPPIO ATTAC.SILIC.RETIN.OT/TEA
24	9011.144	FORCELLA X TUBO D=4 INOX	75	NM01.049	OR ORM 0070-20 SILICONE
25	NM01.035	OR ORM 0090-20 SILICONE	76	147920150	RAC.INGRESSO A 90° POMPA NEU.
26	NM01.057	OR ORM 0050-20 SILICONE	77	140321961	OR 2031 TERMOIL
27	11009013	PERNO X PISTONCINO L=10 OT/TEA	100	11025705	AS.GEN.CALD.TUB.CAF.RYL/T 230V
28	11009012	BOCC.PERNO CALD.OT/TEA	100	11025706	AS.GEN.CALD.TUB.VAP.RYL 230V
29	11009019	AS.PISTONCINO C/GOLA L=20,9 OT/TEA			
30	11005099	CURSORE CALD.V2 P119 PEEK NAT.			
31	129913902	VITE TCB 3X12 PLAST.ZN-B			
32	11023282	SUPP.FISSAG.CALDAIE TUB.SLIM MYB9 NER.			
33	129573402	VITE TCB PH/SW 4X10 UNI 8112 ZNP			
34	11013735	AS.CALD.TUB.SLIM 1300W 230V			
35	190800100	SENSORE TEMPERATURA NTC UL L=280MM			
36	12001369	VITE TSP 5X35 PLAST.INOX			
37	12001033	TERMOSTATO ONE SHOT 190°			
38	11001751	MOLLA FERM.TERMOS.SUP.CALD.TUB.V3 ACC.			
39	128310402	ROSETTA UNI 8842 A4 ZINC.			
40	124390520	FASTON PIEGATO 45° 6,3X0,8 OTTONE			
41	17000471	ANTIVIBRANTE CALD.RIYL NER.			
42	11012194	SUPP.POMPA ULKA MF SBR/NER.			
43	16000540	TUBO SILICONE 11X12,8 TRASP.IN MATASSA			
44	12001212	POMPA ULKA MF 230V-50HZ			
45	17800203	AS.CONN.2P.POMPA VAP.RYL UL			
46	11001054	RAC.90° USCITA POMPA P0049/B NER.			
47	11022857	SUPP.POMPA GMYB NER.			
48	9181.350	RACC.POST.1/8" POMPA ULKA OT/TEA			
49	12000140	POMPA ULKA EP5/S GW 230V-50HZ			
50	17800202	AS.CONN.2P.POMPA CAF.RYL UL			
51	17000163	SUPP.CALD.TUB.CAF.RYL/T ACC.			



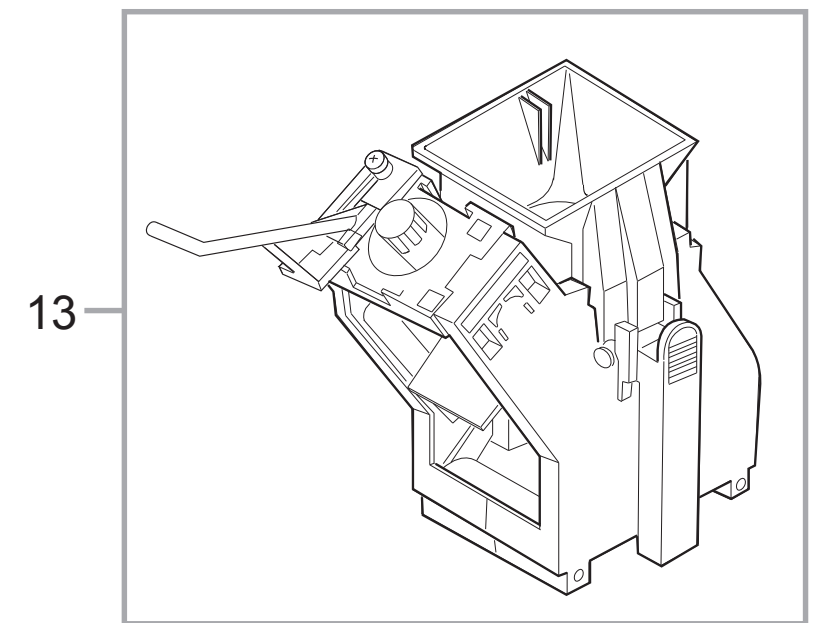
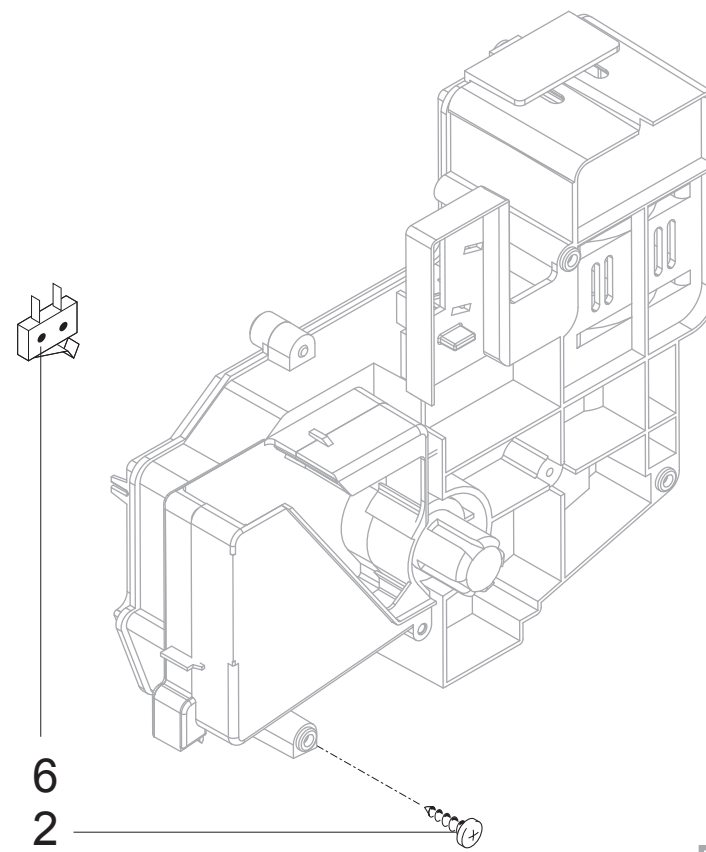
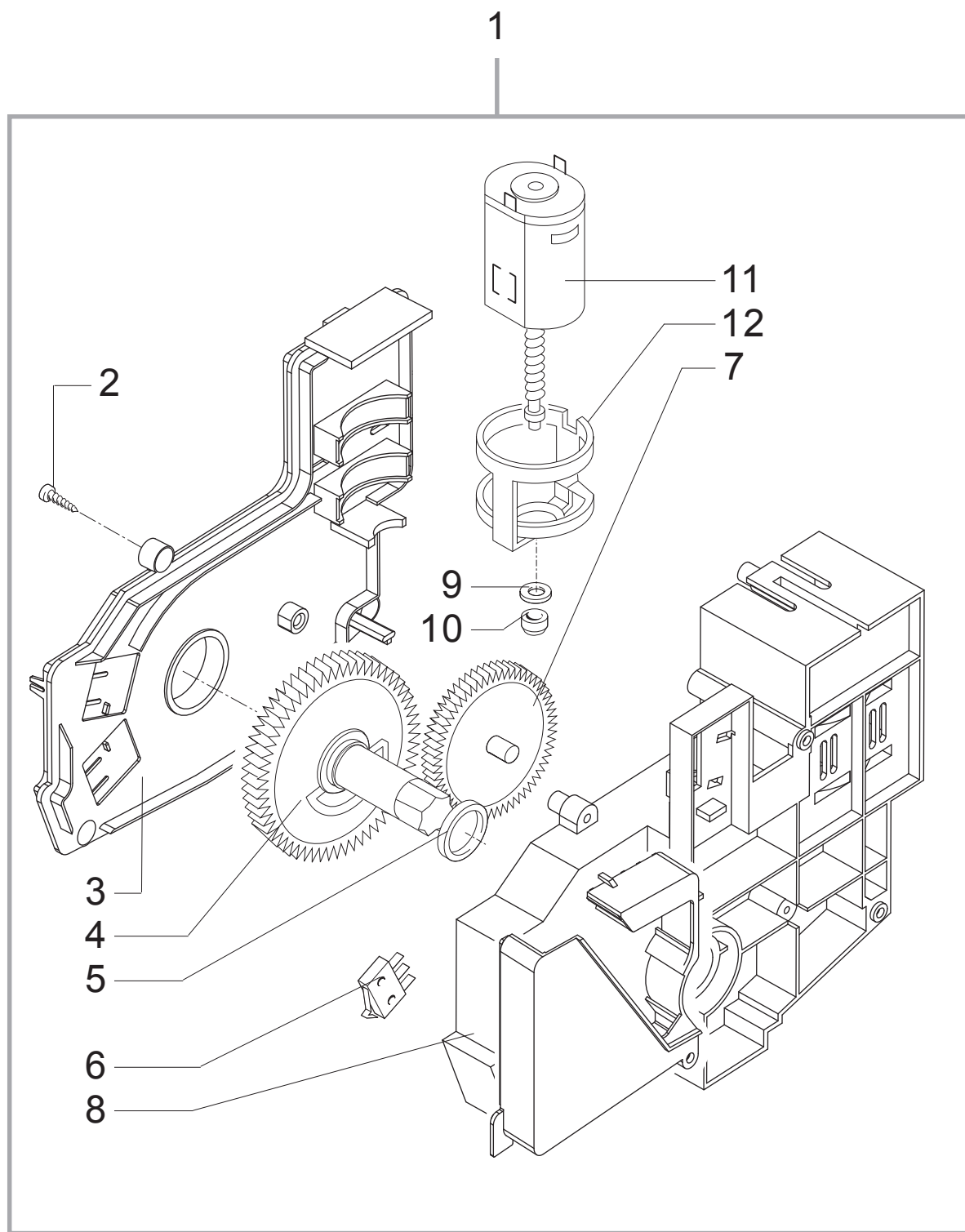
Pos	Article-Nr.	Description
1	11025848	COP.CONT.ACQ.RYLO NER.
2	11025847	MANIGLIA CONT.ACQ.RYLO NER.
3	224640200	AS.FILTRO EST.CONT.ACQ.BIA.
4	140328461	OR ORM 0190-10 EPDM
5	11025846	AS.CONT.ACQ.RYLO GRI/TRASP.
6	140324362	OR ORM 0060-30 SILICONE
7	126764718	MOLLA CILINDR.VALV.CONT.ACQ.INOX
8	147660562	PIST.VALV.CONT.ACQ.GRI.
9	0701.031.150	COP.GUARN.GACO DIM 14 VALV.ACQ.GRI.
10	145842900	GUARN.GACO DIM14 VALV.CONT.ACQ.NBR
11	12000895	VITE TSP 3X10 PLAST.INOX
12	0701.014.150	CONT.GUARN.GACO DIM 14 VALV.ACQ.GRI.
13	140320461	OR ORM 0080-20 TERMOIL
14	NV02.095	SERRATURA SPORTELLO VIRO
15	11029899	GRIGLIA VASCA REC.ACQ.RYL/T INOX/SB
16	17000991	GALLEG.VASCA REC.ACQ.V2 RYL ROS.
17	11030099	AS.VASCA REC.ACQ.RYL VERN.CRC
18	11025841	CONT.CAF.GRA.RYLO GRI/TRASP.
19	11025844	AS.COP.CONT.CAF.GRA.RYLO NER.
20	12001431	VITE TCB 3X12 PLAST.INOX
21	17001255	TAPPO MANIGLIA CONT.ACQ.RYL NER.
22	0333.015	STAFFA DI AGGANCIO
23	11025829	COP.CONTENTITORI RYLO VERN.CRC D/AS.
24	17000982	COP.VASCA REC.ACQ.RYL NER.

Pos	Article-Nr.	Description
-----	-------------	-------------



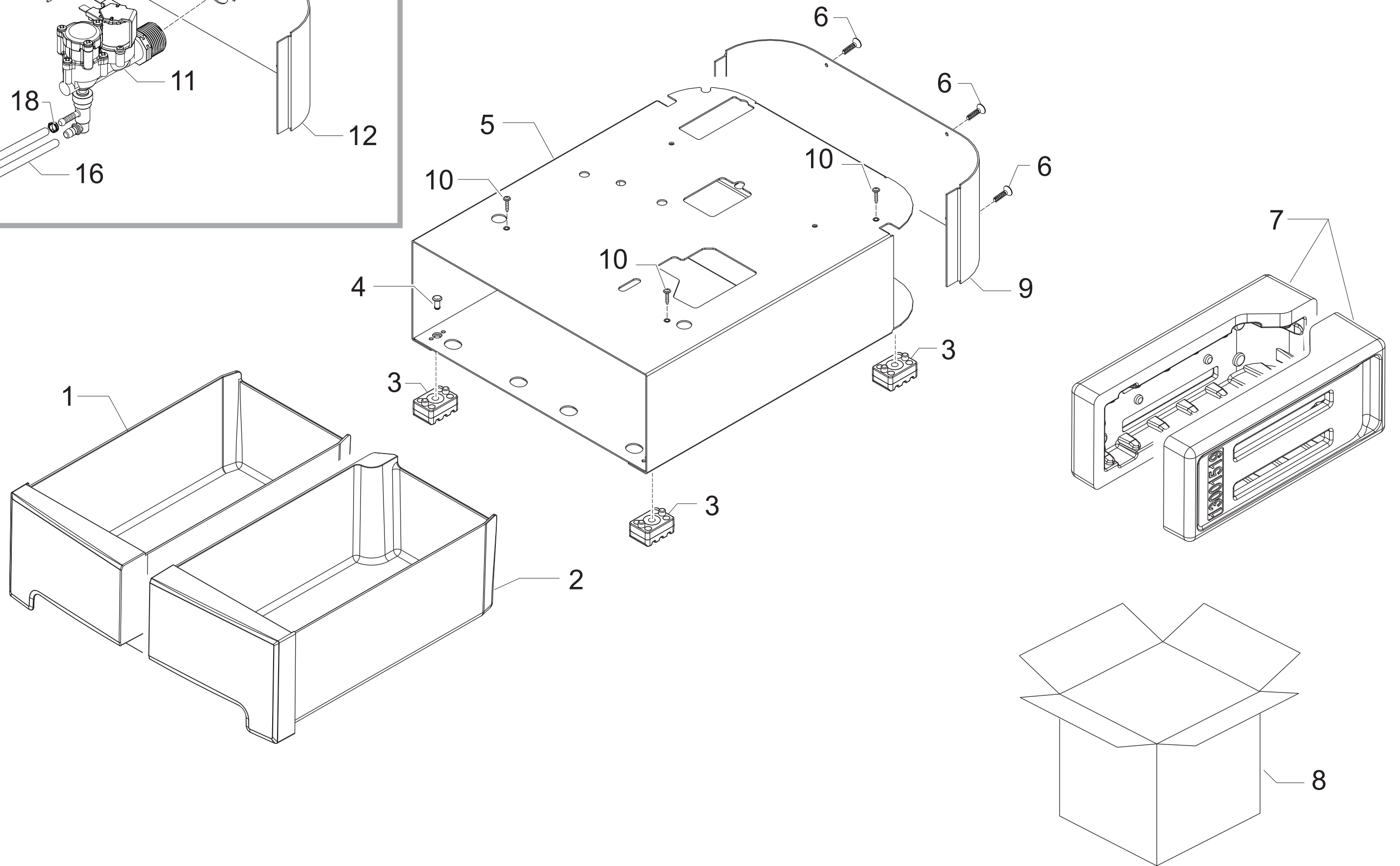
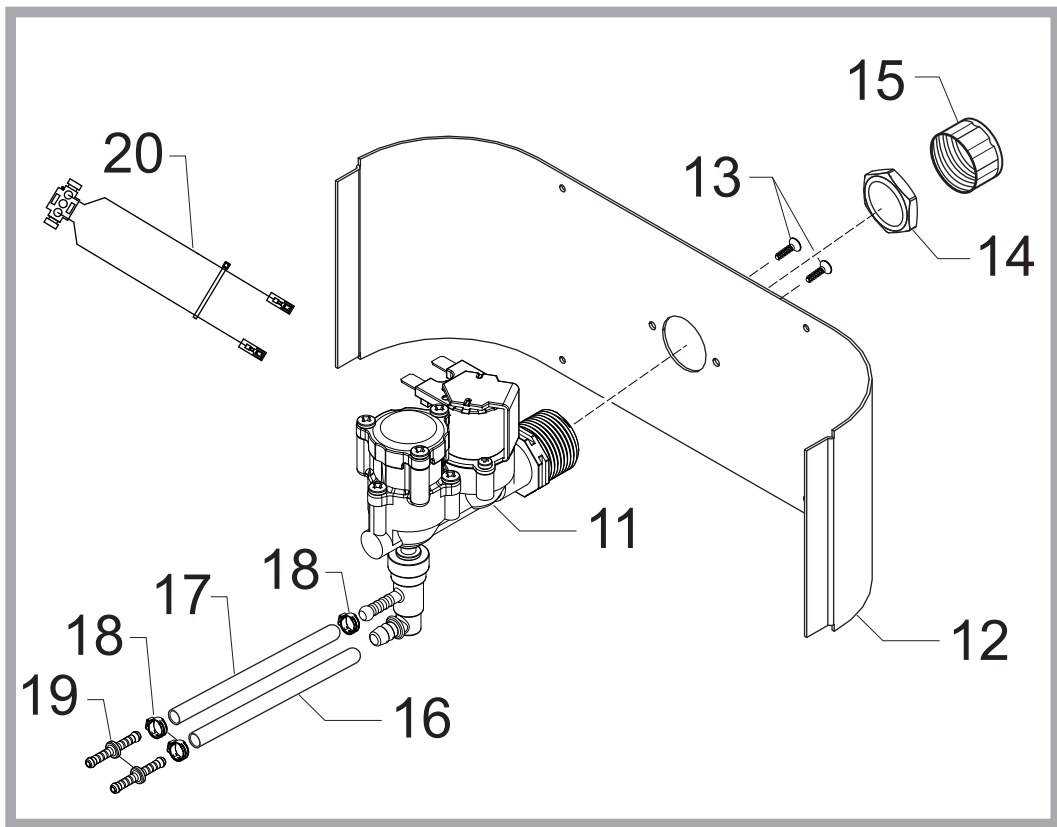
Pos	Article-Nr.	Description
1	129913902	VITE TCB 3X12 PLAST.ZN-B
2	9161.048	ASTA RASATORE DOS.CAF.MAC.ACC.
3	9161.076.150	PERNO SPORT.DOS.CAF.MAC.GRI.
4	9161.074.150	SPORT.DOS.CAF.MAC.GRI.
5	126764818	MOLLA X ELETROM.DOS.CAF.GRANI MAGIC
6	U701.003	ANELLO ELASTICO 7 UNI 7434
7	9161.041	NUCLEO ELETTRIC.DOS.CAF.MAC.ACC.
8	17800211	AS.CONN.4P.BOBINA+MICRO DOSAT.RYL UL
9	11025734	AS.BOBINA DOSATORE SUPERAUTOM.24V DC
10	NE05.017	MICROINTERRUTTORE
11	9161.072.150	CURSORE SUPP.MICRO DOS.CAF.MAC.GRI.
12	9161.073.150	BILANCERE CONTROL.DOSE CAF.MAC.GRI.
13	17000176	TRAMOGGIA DOSE CAF.MAC.RYL NER.
14	9161.082	AGGANCIO IN GOMMA
15	0333.009	IMPUGN.LEVA REGOL.MACIN.ROYAL NER.
16	9141.080	SUPP.MOTORE MC NER.
17	140360200	ANELLO IN FELTRO DE=40 DI=34 H=5
18	126770117	MOLLA NEW X SFERA D=3,2 MOTORE MAGIC
19	17800209	AS.CONN.2P.MOTORE MC RYL UL
20	1505.014	GUARNIZIONE DOSATORE
21	144320200	FASCIETTA AUTOBLOC.W=2.6 L=200 BIA.
22	9140.036.00A	AS.MACINACAFFE STD 230V
23	0301.R10.00A	GRUPPO RICAMBIO MOTORE MC 230V
24	U043.004	VITE TCB M4X16 ZN-B
25	9991.005	GOMMINO X MACINACAFFE'
26	9141.003	DISTANZIALE X GOMMINO
27	U324.006	DADO M4 FLANGIATO BASE DENTELLATA
28	12001605	MICROINTERRUTTORE
29	9161.365.150	PIAST.MC MAGIC/ROYAL GRI.
30	128610521	SFERA D=5,5MM ACCIAIO INOX AISI 304
31	126765517	MOLLA ACC.X SFERA D=5,5 MOTORE MAGIC
32	9161.097.150	PIAST.FISSAG.LEVA DOS.CAF.MAC.GRI.
33	0313.003.150	LEVA REGOL.DOS.CAF.MAC.GRI/7016
34	0333.008	LEVA REGOL.MACIN.ACC.
35	17000238	COP.INSONORIZZAZIONE MC RYL NER.
36	9991.103	ANTIVIBRANTE X MACINACAFFE'
37	140230400	AMMORTIZ.X SUPPORTO MACINA CONICA MAGIC
38	U201.001	ROSETTA PIANA 3,2X9 DIN 7349 ZNP
39	17000832	SCALA REGOL.DOSE E MACIN.CAF.RYLO GRI.
40	149186150	SUPPORTO MACINA SUPERIORE MAGIC NERO
42	142844550	COPERT.X MACINA SUPER.MACINACAF.MAGIC
43	129931002	VITE TORX T10 TCB 3,5X40 SX ZNG
44	147470763	PERNO INCREMENTO A VITE MC MAGIC NER.
45	U201.002	ROSETTA PIANA 10X16X0,2DIN 988 ZNP
46	226477700	KIT MACINE ITAL MILL
47	149188750	SUPPOR.C/ANEL.X MACINA CONICA MAGIC
48	146570950	GHIERA REGOLAZION.MACINATURA MAGIC NERO
49	128610421	SFERA D=3,2MM ACCIAIO INOX AISI 304
50	12000450	VITE TCB 3,5X12 PLAST.ZN-N
51	17001155	COP.FORO DOSATORE RYL GRI.

Pos	Article-Nr.	Description
-----	-------------	-------------



Pos	Article-Nr.	Description
1	11025736	AS.MOTORID.RYL
3	129670202	VITE PANELVIT TCB 3,5X16 TESTA D=8 ZNP
4	17000719	COP.MOTORID.RYL GRI.
5	11007137	INGR.Z=77 MOTORID.V2 P124 NER.
6	9161.368	RONDELLA MYLAR X MOTORIDUTTORE
7	NE05.038	MICROINT.SAIA XCG5-81-P5
8	146002800	INGR.Z=13/90 MOTORID.P124 GRI.
9	11026258	AS.CARC.MOTORID.C/CANALINO RYL GRI.
10	148380200	RONDELLA D=5,5 IN TELA BAKELIZZATA
11	9121.046	BOCC.SINTERIZ.MOTORE MOTORID.BRONZO
12	11005214	AS.MOTORE MOTORID.C/2COND.INT.P124
13	9121.044	ANTIVIBRANTE X MOTORE
14	11003800	GRUPPO CAFFE' MAGIC/ROYAL NERO

Pos	Article-Nr.	Description
-----	-------------	-------------



Pos	Article-Nr.	Description	Pos	Article-Nr.	Description
1	11029731	CAS.RIPOSTIGLIO BASE RYLO VERN.CRC			
2	11029719	AS.CAS.FONDI BASE RYLO VERN.CRC			
3	11021829	PIEDINO RIGIDO MYB9 NER/TRASP.			
4	11021769	PERNO FISSAG.PIEDINO RIGIDO MYB9 NER.			
5	11029720	AS.CARC.BASE RYLO ACC.VERN.NER.			
6	12001622	VITE TCB B 3,5X9,5 LAMIERA ZN-N			
7	13001519	INS.SCATOLA BASE RYLO PS-E			
8	13001516	SCAT.BASE RYLO AVANA			
9	11029700	PANNEL.POST.BASE RYLO ACC.VERN.NER.			
10	129914302	VITE TORX M 4X10 TESTA D=8X1,5 ZINC			