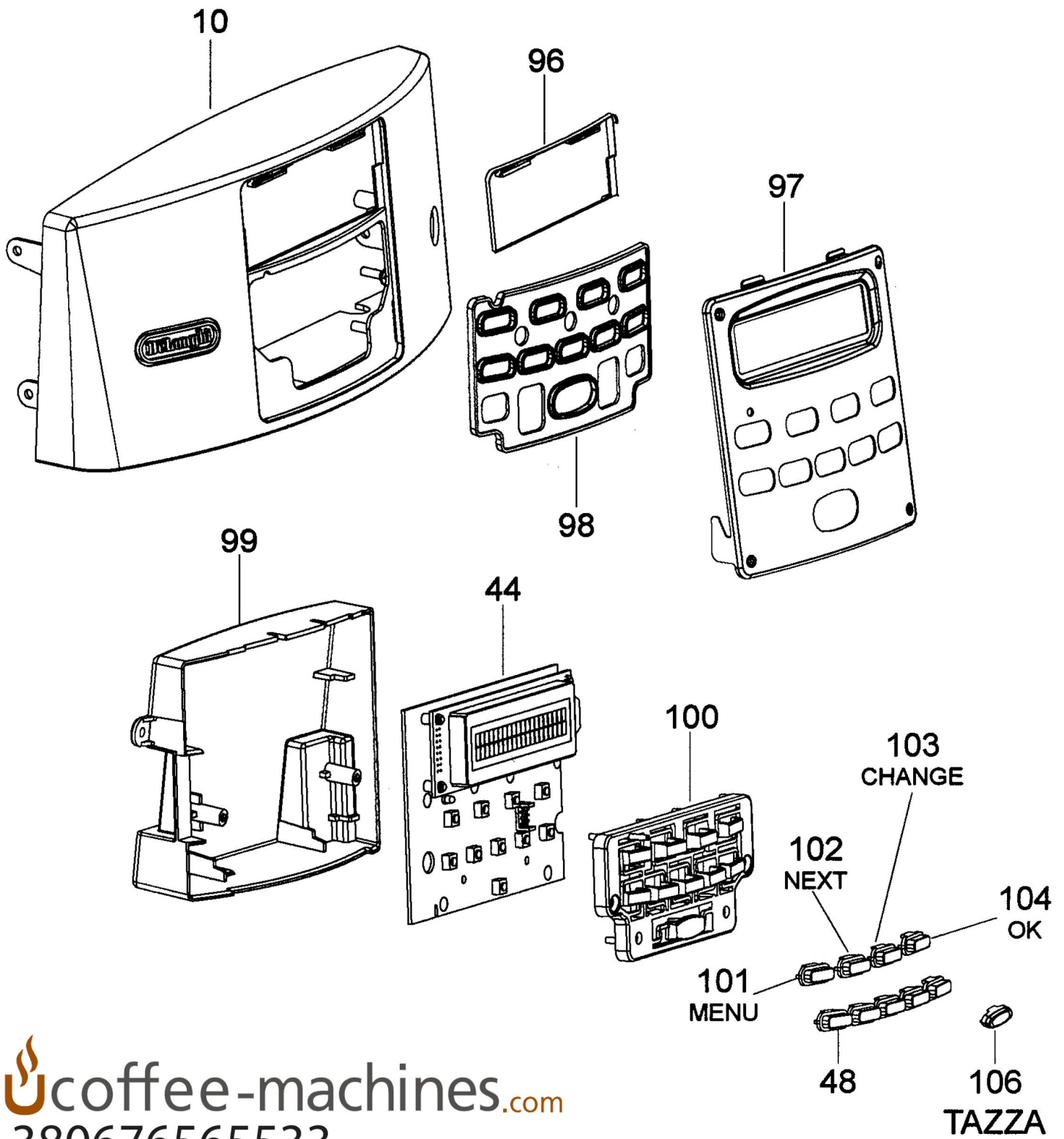


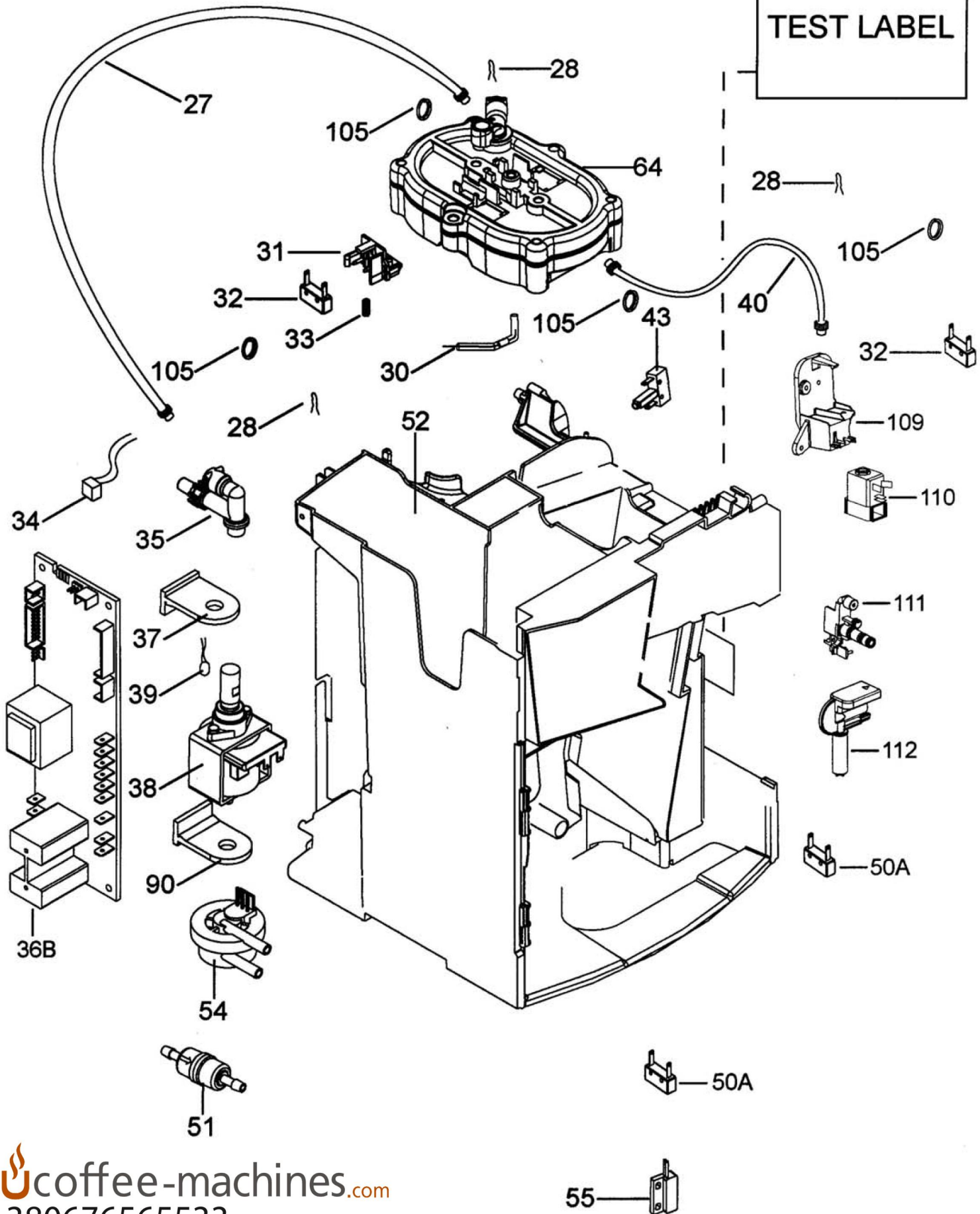
DLS**SERVICE****DE'LONGHI 'RU/SKA' ESAM3500S Cod.0132215027** coffee-machines.com
+380676565533

Pos	Codice	Italiano	English	Francais	Deutsch	Espanol
099	5332170700	COPERCHIO	COVER	COUVERCLE	DECKEL	TAPA
100	5332170900	TASTIERA	KEYBOARD	CLAVIER	DRUCKKNOPFTAFEL	TECLADO
101	5932113600	TASTO	PUSH BUTTON	POUSSOIR	TASTE	TECLA
102	5932113700	TASTO	PUSH BUTTON	POUSSOIR	TASTE	TECLA
103	5932113300	TASTO	PUSH BUTTON	POUSSOIR	TASTE	TECLA
104	5932113200	TASTO	PUSH BUTTON	POUSSOIR	TASTE	TECLA
105	5332154700	GUARNIZIONE	GASKET	JOINT	DICHTUNG	GUARNICION
106	5932113800	TASTO	PUSH BUTTON	POUSSOIR	TASTE	TECLA
107	7332190200	COPERCHIO	COVER	COUVERCLE	DECKEL	TAPA
108	5532127200	SERBATOIO	TANK	RESERVOIR	TANK	DEPOSITO
109	5332176500	SUPPORTO	SUPPORT	SUPPORT	HALTER	SOPORTE
110	5232107400	ELETTROVALVOLA	SOLENOID VALVE	Soupape Electrique	SOLENOIDVENTIL	Valvula Solenoide
111	5532133900	INNESTO	COUPLING	RACCORD	VERBINDUNGSSTUECK	ACOPLAMIENTO
112	5532124900	PIPETTA	PIPETTE	PIPETTE	PIPETTE	PIPETA

DE'LONGHI 'RU/SKA' ESAM3500S Cod.0132215027



TEST LABEL



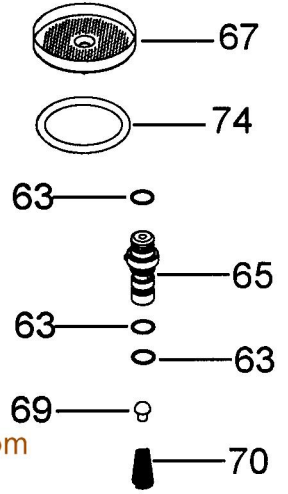
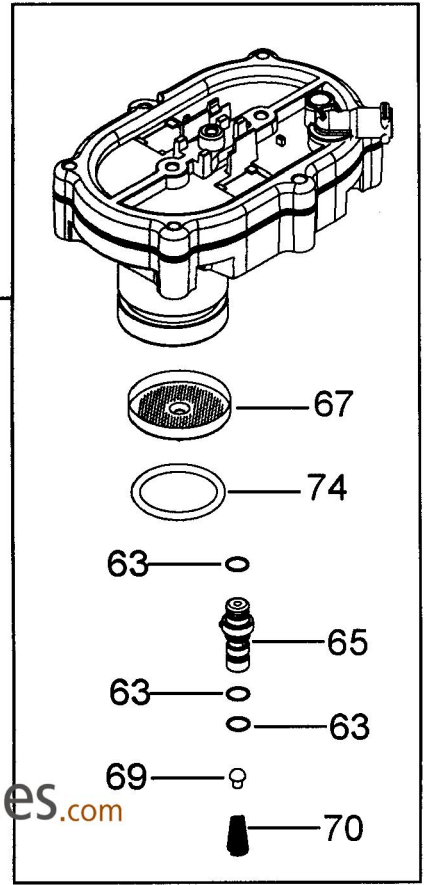
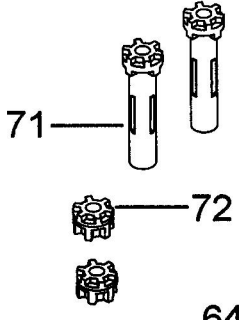
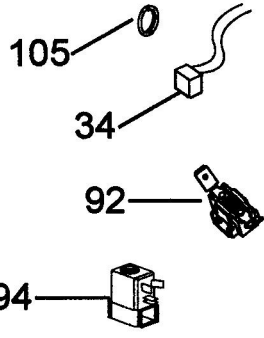
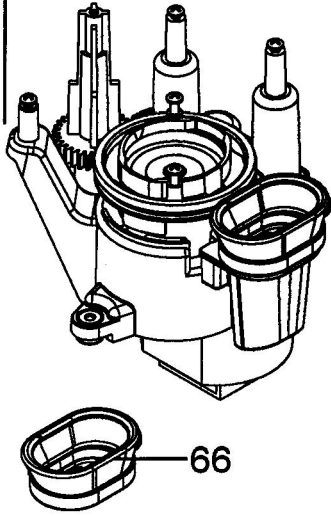
TEST LABEL



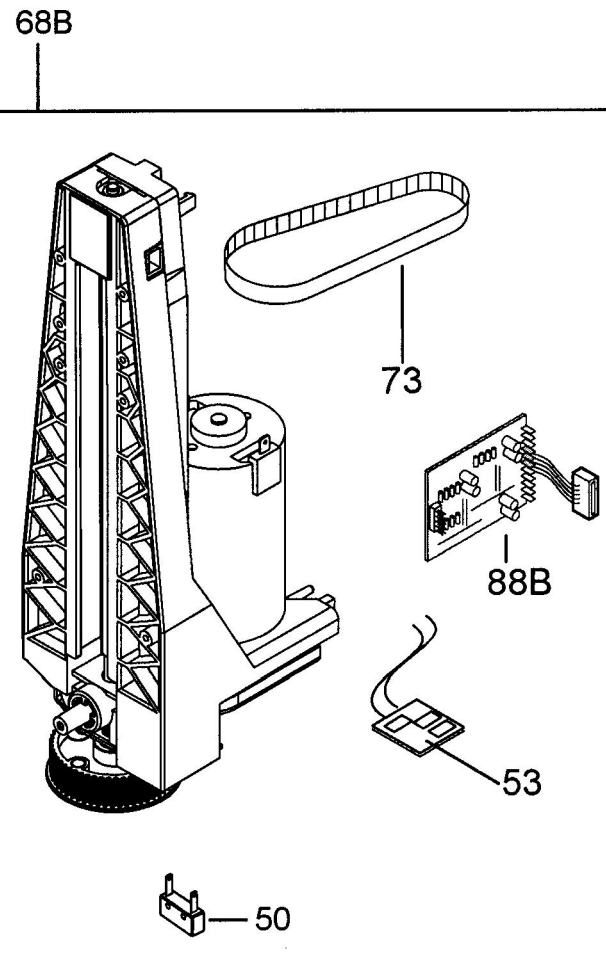
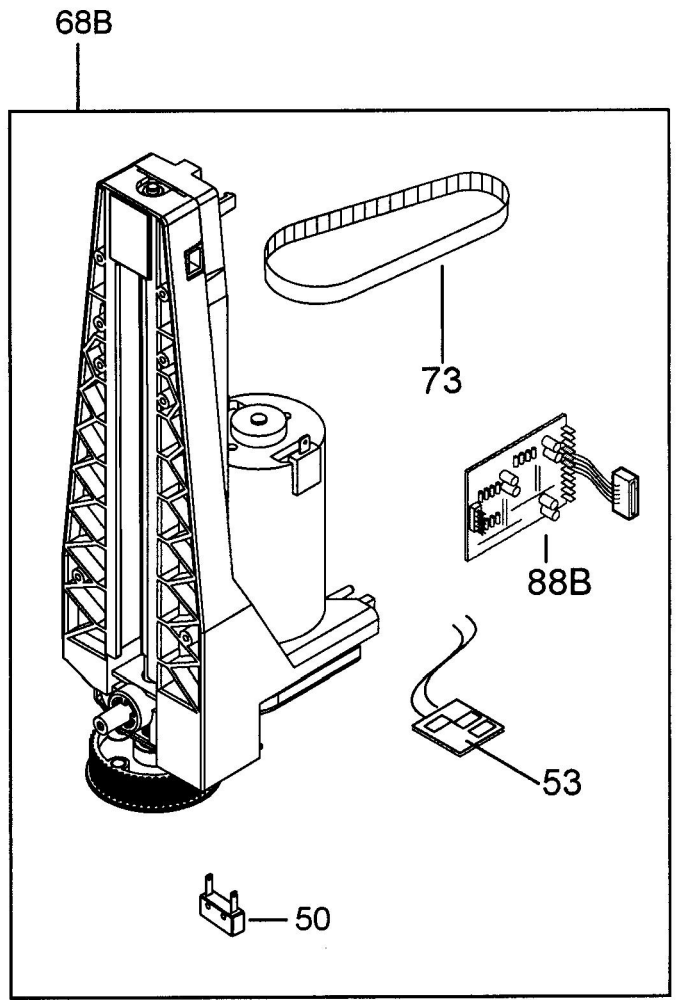
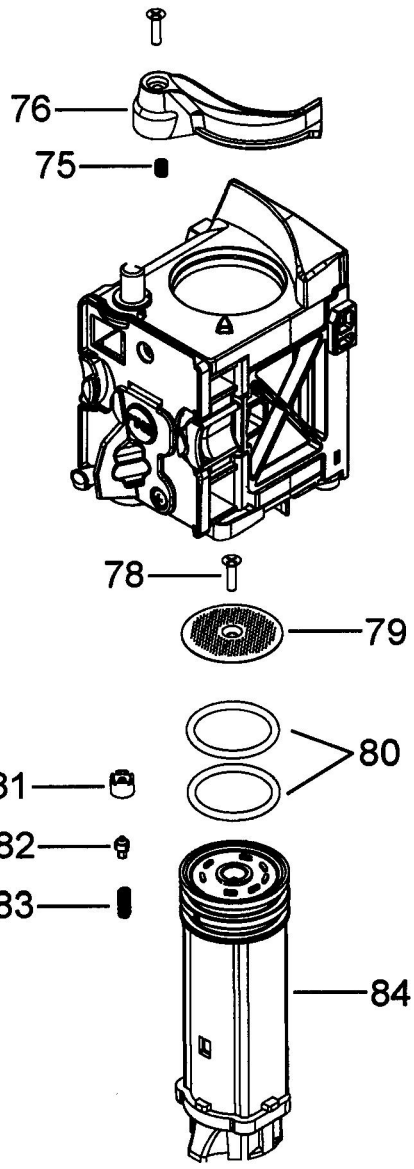
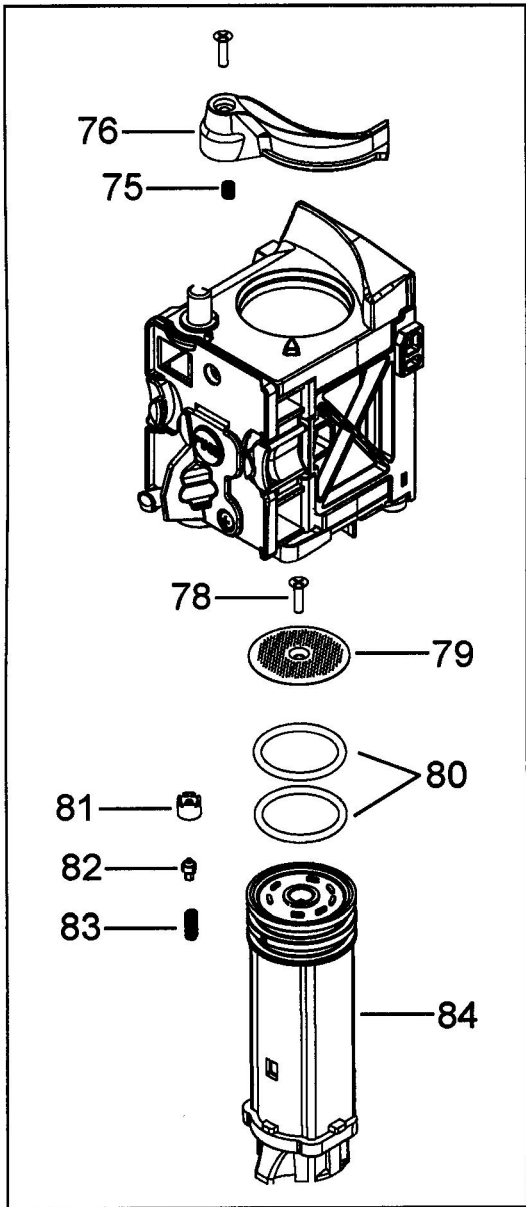
TO PLACE AN ORDER CHECK THE LABEL

CCCCC **EE** SSSSS PPPP

AB=62B



coffee-machines.com
+380676565533



Pos	Codice	Italiano	English	Francais	Deutsch	Espanol
001	5332172500	COPERCHIO	COVER	COUVERCLE	DECKEL	TAPA
002	5332172400	COPERCHIETTO	COVER	COUVERCLE	DECKEL	TAPADERA
004	7332210300	CHIUSURA	CLOSURE	FERMETURE	VERSCHLUSS	CIERRE
005	5332172700	FIANCO SX	SIDE LEFT	COTE GAUCHE	SEITE LINKS	LADO IZQUIERDO
006	5932123700	MANOPOLA	KNOB	BOUTON	KNOFF	MANDO
007	5332143200	SERBATOIO	TANK	RESERVOIR	TANK	DEPOSITO
008	5332172800	SCHIENALE	REAR PANEL	PANNEAU ARRIERE	RUECKWAND	RESPALDO
009	5332172600	FIANCO DX	SIDE RIGHT	COTE DROITE	SEITE RECHTS	LADO DERECHA
010	5932113900	CRUSCOTTO	CONTROL PANEL	Tableau deCommande	BEDIENUNGSBLENDE	Marco Panel Mandos
011	5332144400	VASCHETTA	TRAY	CUVETTE	BEHAELTER	CUBETA
012	7332176800	ASSIEME PORTA	DOOR ASSY	PORTE COMPLETE	TUER KPL	PUERTA COMPLETA
013	5332142600	GANCIO	HOOK	CROCHET	HAKEN	GANCHO
014	5332145600	COPERCHIETTO	COVER	COUVERCLE	DECKEL	TAPADERA
015	7332165800	VASCHETTA	TRAY	CUVETTE	BEHAELTER	CUBETA
016	5332171900	PROFILO	PROFILE	PROFIL	LEISTE	PERFIL
017	6032105000	POGGIATAZZE	CUP PLATE	PORTE TASSES	TASSENAUFLAGE	PORTATAZAS
018	5332169700	VASCHETTA	TRAY	CUVETTE	BEHAELTER	CUBETA
019	5332224900	FONDO	BOTTOM	FOND	BODEN	FONDO
020	5332253400	GALLEGGIANTE	FLOAT	FLOTTEUR	SCHWIMMER	FLOTADOR
021	5332107900	MISURINO	MEASURING SPOON	CUILLIERE	MESSLÖEFFEL	DE DOSAGE MEDIDOR
027	5532120500	TUBO L=270	TUBE L=270	TUBE L=270	ROHR L=270	TUBO L=270
028	6132101300	MOLLA	SPRING	RESSORT	FEDER	MUELLE
030	5032526800	TCO	TCO	SecuriteDeSurchauf.	UEbertemperatursicherung	Fusibile Termico
031	5332142200	SUPPORTO	SUPPORT	SUPPORT	HALTER	SOPORTE
032	5132104100	MICROINTERRUTTORE	MICROSWITCH	MICRORUPTEUR	MIKROSCHALTER	MICROINTERRUPTOR
033	6132104700	MOLLA	SPRING	RESSORT	FEDER	MUELLE
034	5217100200	SENSORE NTC	SENSOR NTC	SENSEUR NTC	SENSOR NTC	SENSORE NTC
035	7332165600	VALVOLA	VALVE	SOUPAPE	VENTIL	VALVULA
036B	5232116500	SCHEDA POTENZA	POWER BOARD	FICHE DE PUISSANCE	STROHMSTARKE PLATINE	FICHA POTENCIA
037	5332225700	SUPPORTO	SUPPORT	SUPPORT	HALTER	SOPORTE
038	5132106900	POMPA	PUMP	POMPE	PUMPE	BOMBA
039	5232103200	PROTETTORE	PROTECTOR	PROTECTEUR	UEBERTEMP.SCHUTZ	PROTECTOR
040	5532120500	TUBO L=270	TUBE L=270	TUBE L=270	ROHR L=270	TUBO L=270
043	5132103900	MICROINTERRUTTORE	MICROSWITCH	MICRORUPTEUR	MIKROSCHALTER	MICROINTERRUPTOR
044	5232117900	SCHEDA COMANDI	CONTROL BOARD	FICHE DE CONTROLLE	BEDIENUNGS PLATINE	FICHA MANDOS
048	5332172100	TASTO	PUSH BUTTON	POUSSOIR	TASTE	TECLA
050	5132103900	MICROINTERRUTTORE	MICROSWITCH	MICRORUPTEUR	MIKROSCHALTER	MICROINTERRUPTOR
050A	5132105200	MICROINTERRUTTORE	MICROSWITCH	MICRORUPTEUR	MIKROSCHALTER	MICROINTERRUPTOR
051	VT205651	FILTRO	FILTER	FILTRE	FILTER	FILTRO
052	7313210681	TELAIO	FRAME	CHASSIS	RAHMEN	CHASSIS
053	5232110100	SCHEDA SONDA	BOARD FEELER	FICHE SONDE	PLATINE FUEHLER	FICHA SONDA
054	5232101400	MISURATORE ACQUA	WATER VOLUME METER	DEBITMETRE EAU	WASSER DURCHFLUSSMESSER	MEDIDOR DE AGUA
055	5232104600	SENSORE REED	SENSOR REED	SENSEUR REED	SENSOR REED	SENSORE REED
062B	7332203600	MACININO COMPLETO	COMPLETE GRINDER	MOULN A CAFE COMPLET	KAFFEMUHLE KOMPLET	MOLINILLO COMPLETO
063	5332149000	O-RING	O-RING	JOINT OR	O-RING	O-RING
064	7332201500	GENERATORE	GENERATOR	GENERATEUR	GENERATOR	GENERADOR
065	5332213000	PERNO	PIN	PIVOT	STIFT	PERNO
066	5332144900	GUARNIZIONE	GASKET	JOINT	DICHTUNG	GUARNICION
067	5332139200	FILTRO	FILTER	FILTRE	FILTER	FILTRO
068B	7332167200	KIT TRASMISSIONE	TRANSMISSION KIT	KIT DE TRANSMISSION	KIT TRANSMISSION	KIT TRANSMISION
069	5332148400	VALVOLA	VALVE	SOUPAPE	VENTIL	VALVULA
070	6132106300	MOLLA	SPRING	RESSORT	FEDER	MUELLE
071	5332142300	BUSSOLA	BUSH	DOUILLE	BUCHSE	MANGUITO
072	5332142400	BUSSOLA	BUSH	DOUILLE	BUCHSE	MANGUITO
073	5332147300	CINGHIA	BELT	COURROIE	RIEMEN	CORREA
074	5332149100	O-RING	O-RING	JOINT OR	O-RING	O-RING
075	6132103500	MOLLA	SPRING	RESSORT	FEDER	MUELLE
076	5332139800	LEVA	LEVER	LEVIER	HEBEL	PALANCA
077	7332183900	KIT DIFFUSORE	DIFFUSER KIT	DIFFUSEUR KIT	DIFFUSOR KIT	DIFUSOR KIT
078	9812631250	VITE	SCREW	VIS	SCHRAUBE	TORNILLO
079	6032105300	DIFFUSORE	DIFFUSER	DIFFUSEUR	DIFFUSOR	DIFUSOR
080	5332149100	O-RING	O-RING	JOINT OR	O-RING	O-RING
081	5332139600	TAPPO	STOPPER	BOUCHON	STOEPSSEL	TAPON
082	5332139500	VALVOLA	VALVE	SOUPAPE	VENTIL	VALVULA
083	6132104000	MOLLA	SPRING	RESSORT	FEDER	MUELLE
084	5332140300	PISTONE	PISTON	PISTON	KOLBEN	PISTON
088B	5232110200	SCHEDA	BOARD	FICHE	PLATINE	FICHA
089	5332171500	COPERTURA	COVER	COUVERTURE	VERSCHLUSS	REVESTIMIENTO
090	534848	SUPPORTO	SUPPORT	SUPPORT	HALTER	SOPORTE
091	7332166600	SLITTA	SLIDER	GLISSIERE	SCHLITTEN	CORREDERA
092	5232105000	TCO	TCO	SecuriteDeSurchauf.	UEbertemperatursicherung	Fusibile Termico
094	5232107700	ELETTROVALVOLA	SOLENOID VALVE	Soupage Electrique	SOLENOIDVENTIL	Valvula Solenoide
095	7332196700	ASS. RESISTENZA	HEATING Element ASSY	ELEMENT Chauffant	HEIZELEMENT	RESISTENCIA
096	5332170800	VETRINO	GLASS	VERRE	GLAS	VIDRIO
097	7132102600	FRONTALE	FRONT PANEL	PANNEAU AVANT	VORDERWAND	PARTE DELANTERA
098	5332180300	MASCHERINA	TEMPLATE	PLAQUE	BLLENDE	PLANTILLA

